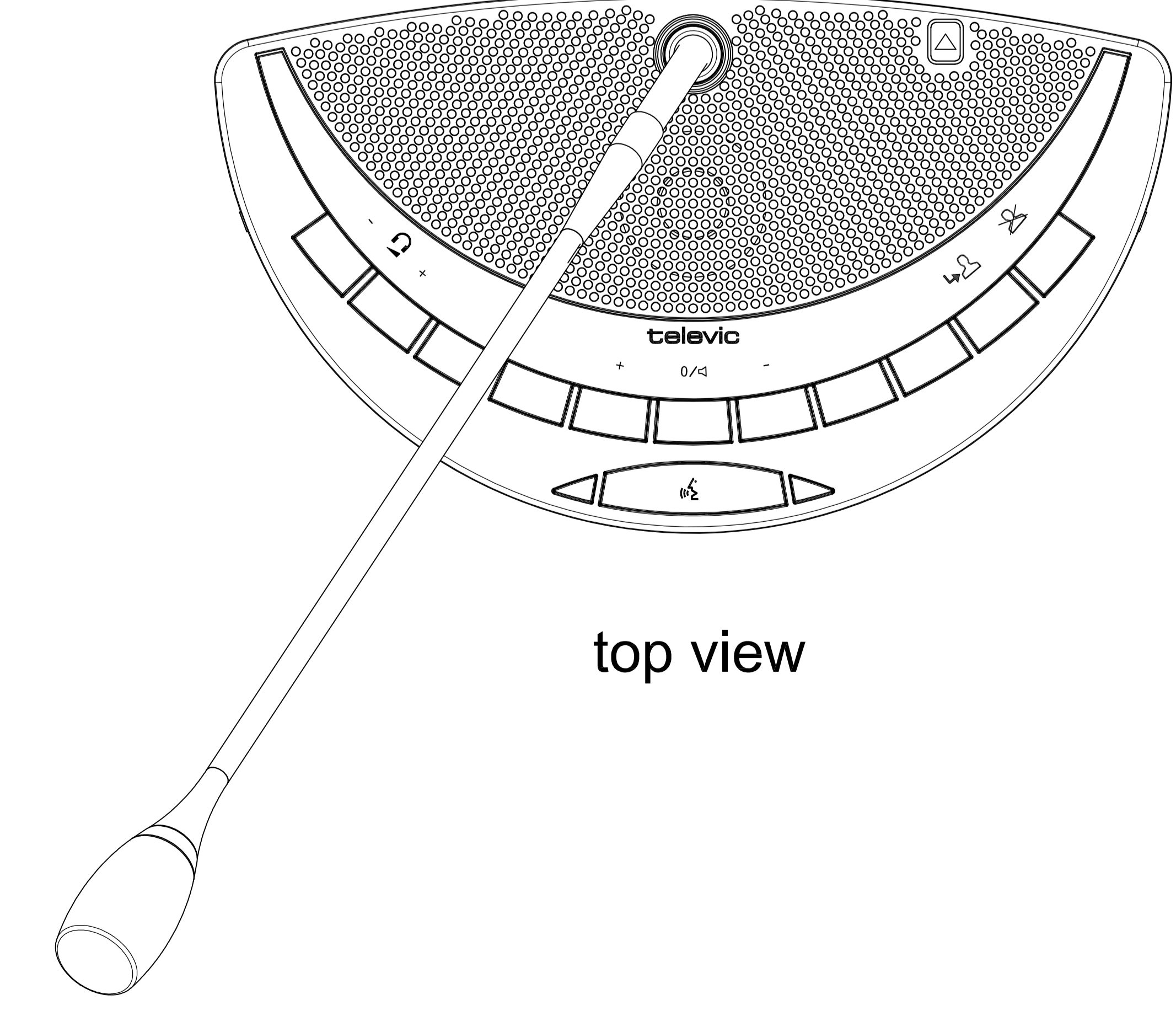
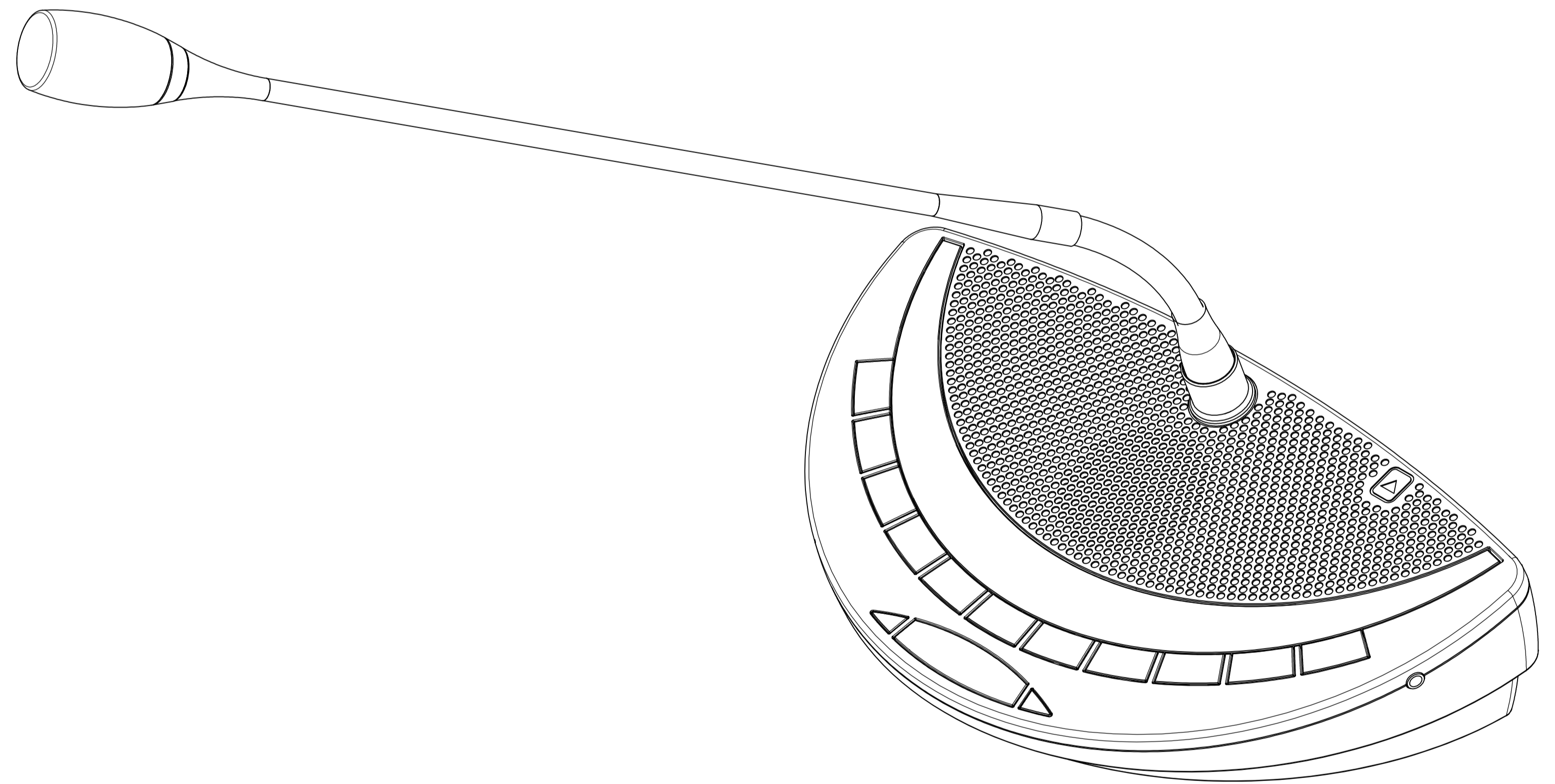
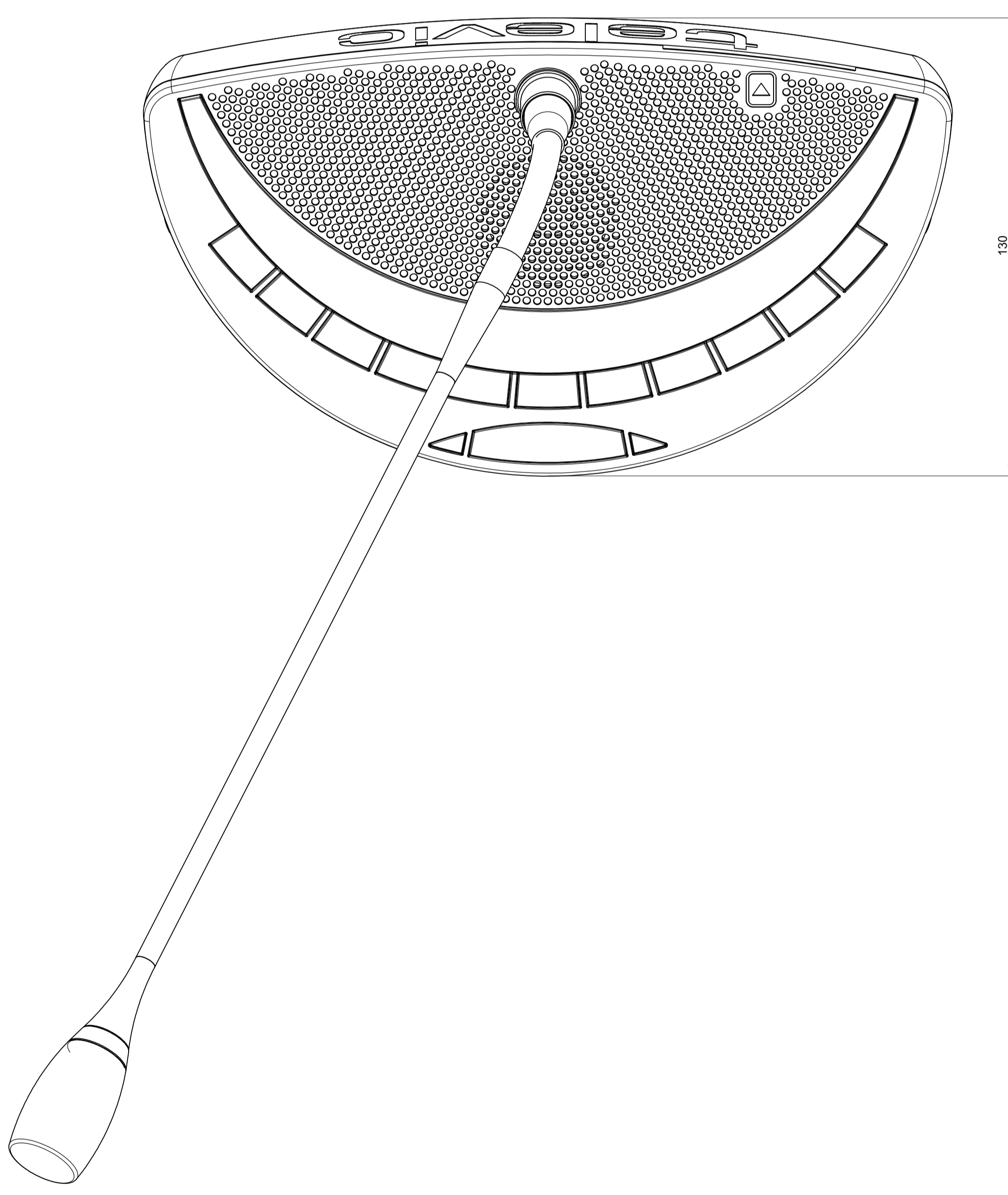
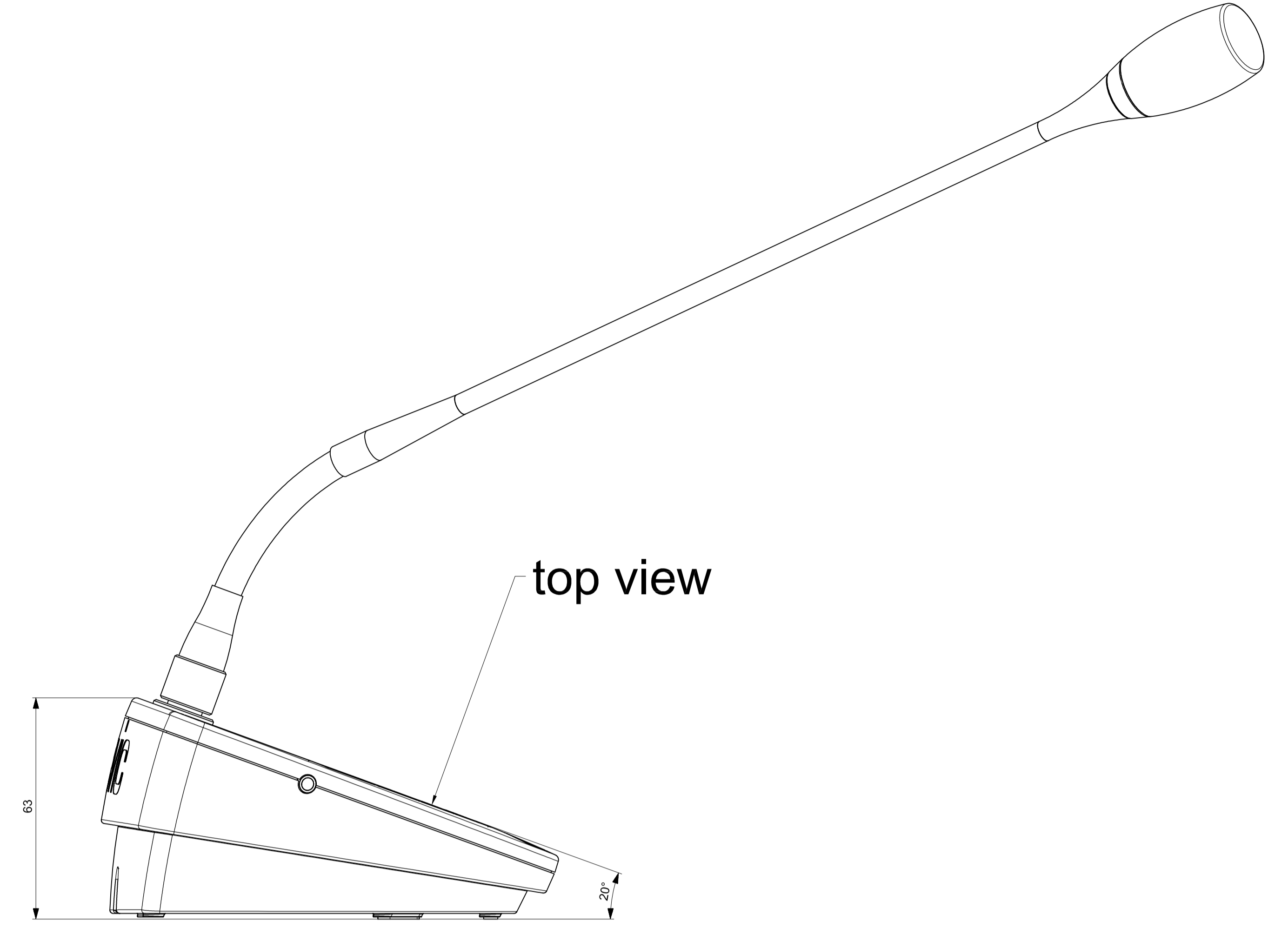
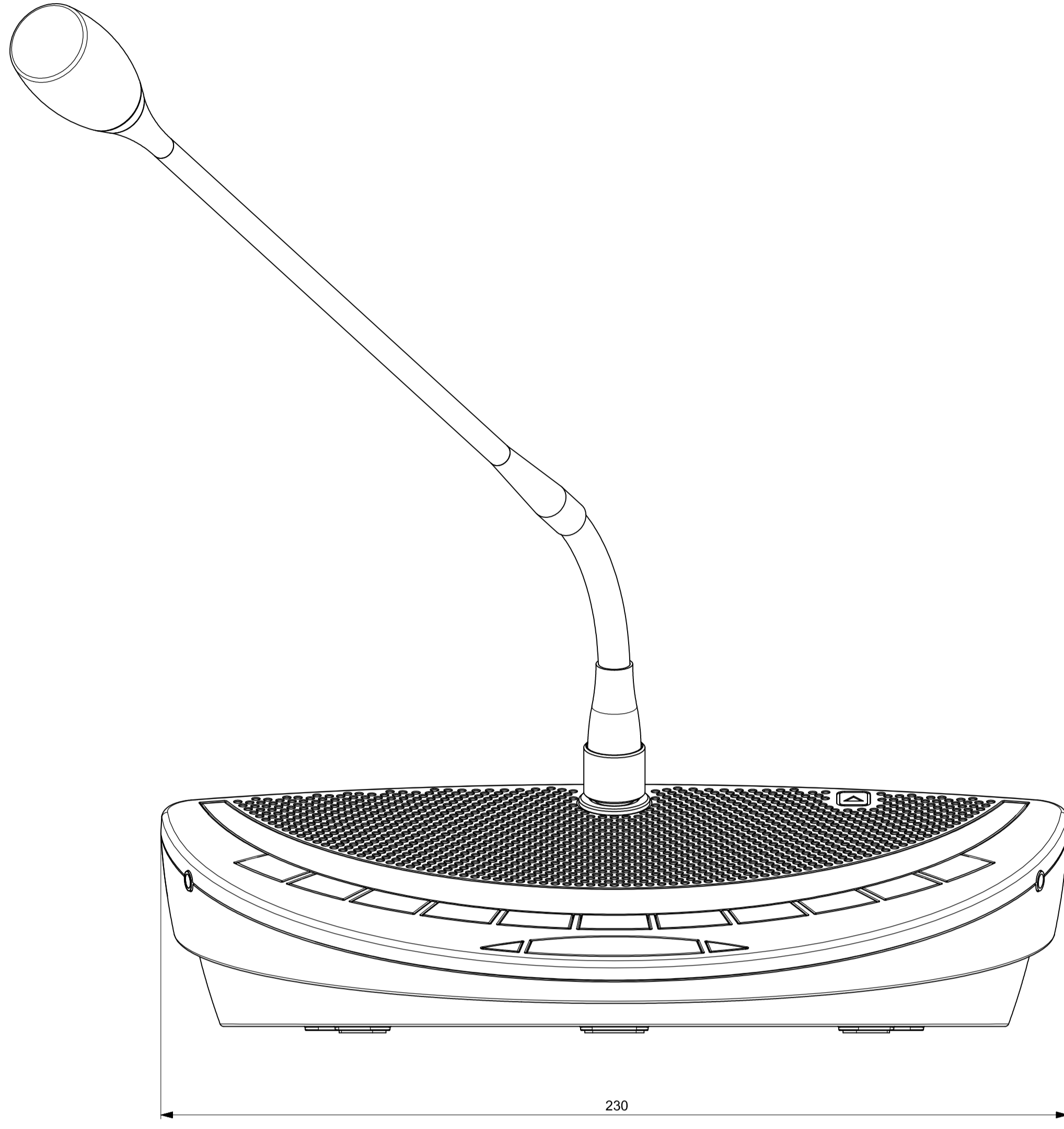


Remarks
 Material: PC/ABS
 BLACK
 Dimensions: 230 x 130 x 63 mm
 Price applied to the specified quantity.



top view

Revision	EC/Rev	Remarks - description	Drawn	Name
Linear tolerances	Surface roughness	Shape and positioning tolerances	ISO 1101	ISO 2768-mS
ISO 2768-mS	ISO 1302	ISO 1101 / ISO 2768 - M	ISO 2768-mS	see remarks
Drawing name	Confidea T-CV			PC/ABS
Drawn by	SK	Date	18.07.2018	Scale
Approved by	ADV	Drawing number	71.98.0116_M07_2D_0.01	Sheet
televic conference				1 of 1
All rights reserved. No part of this concept may be reproduced in any form or by any means without the prior written permission of televic.				Scale 1:1
				Format ADV