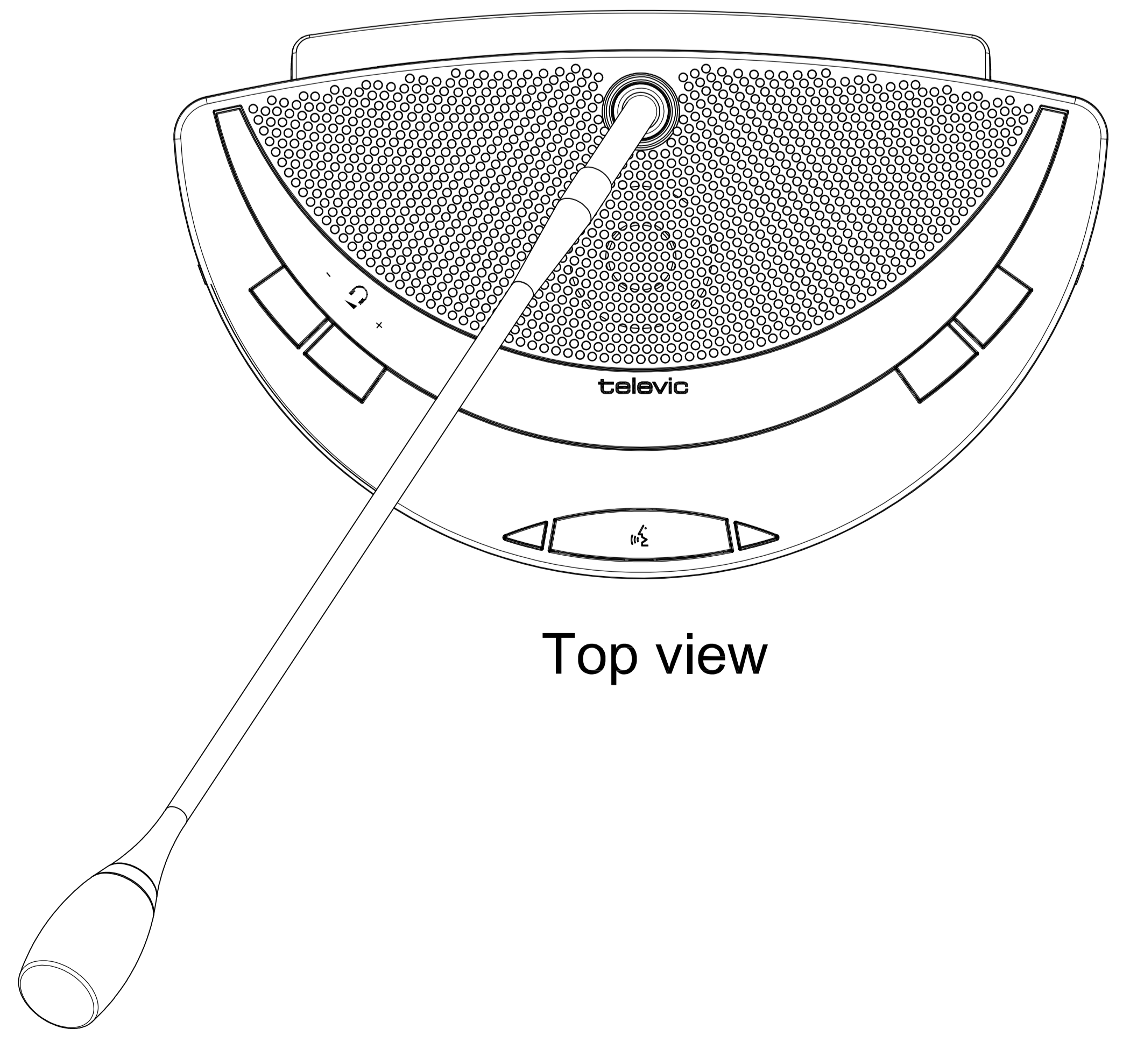
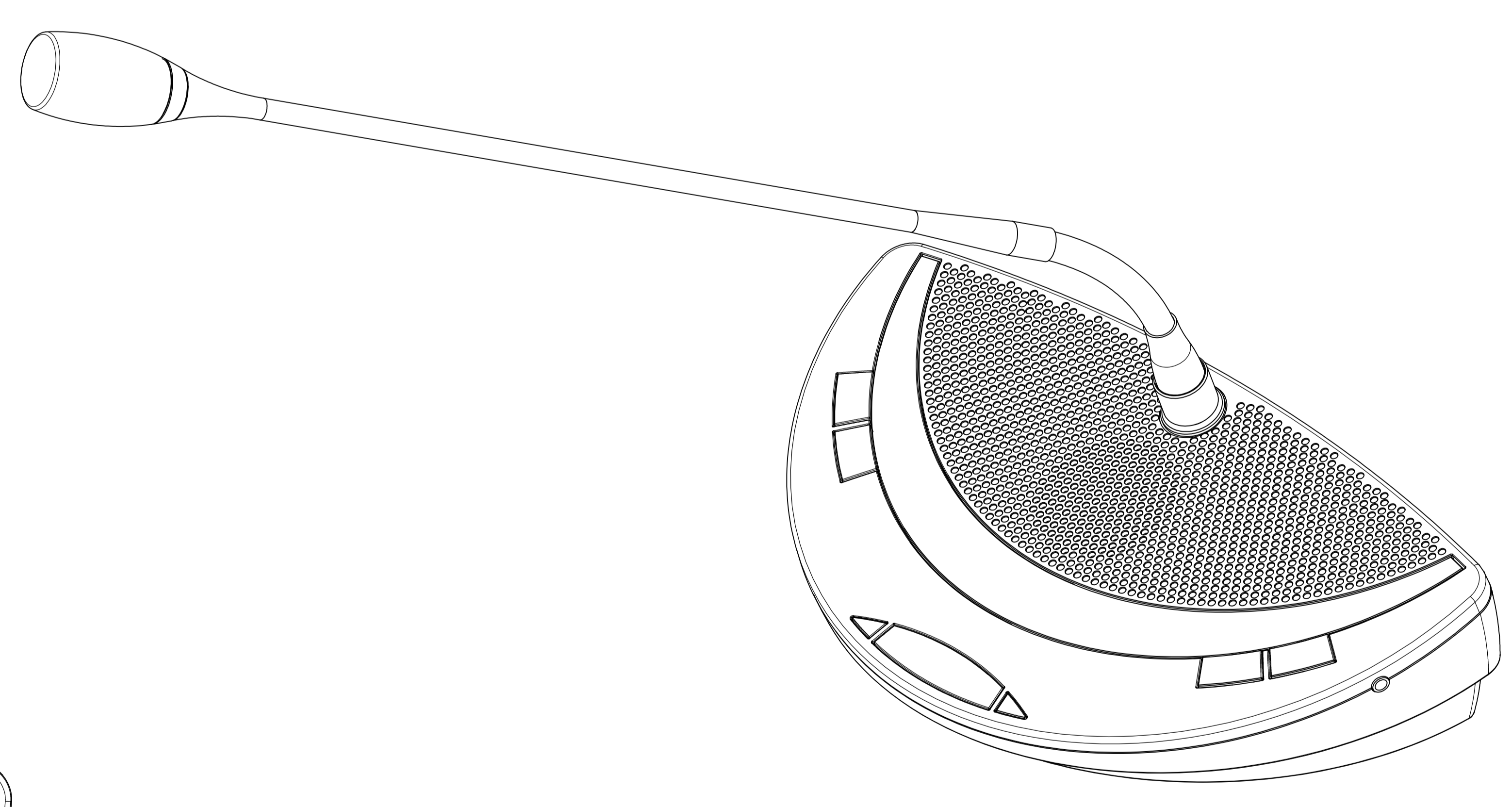
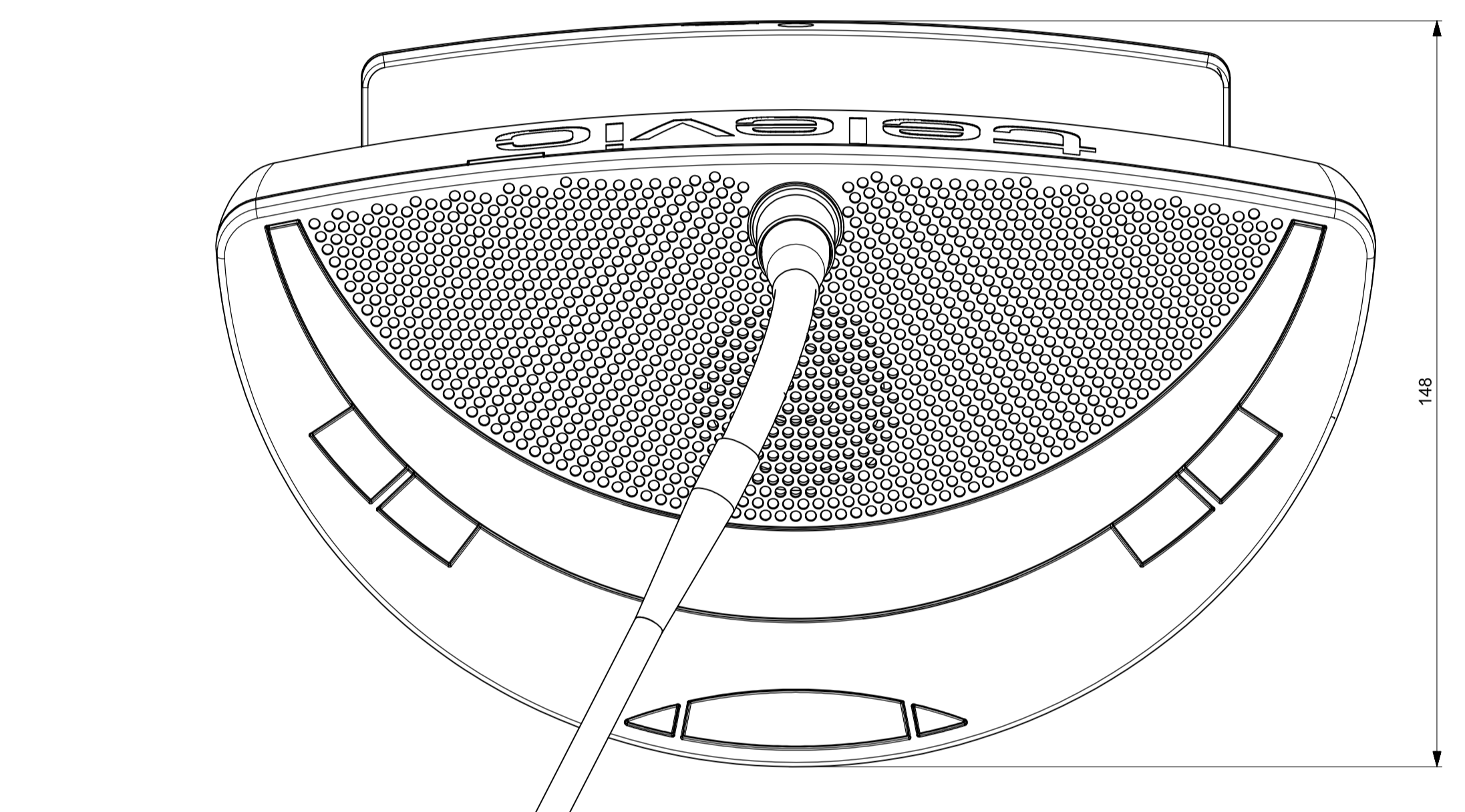
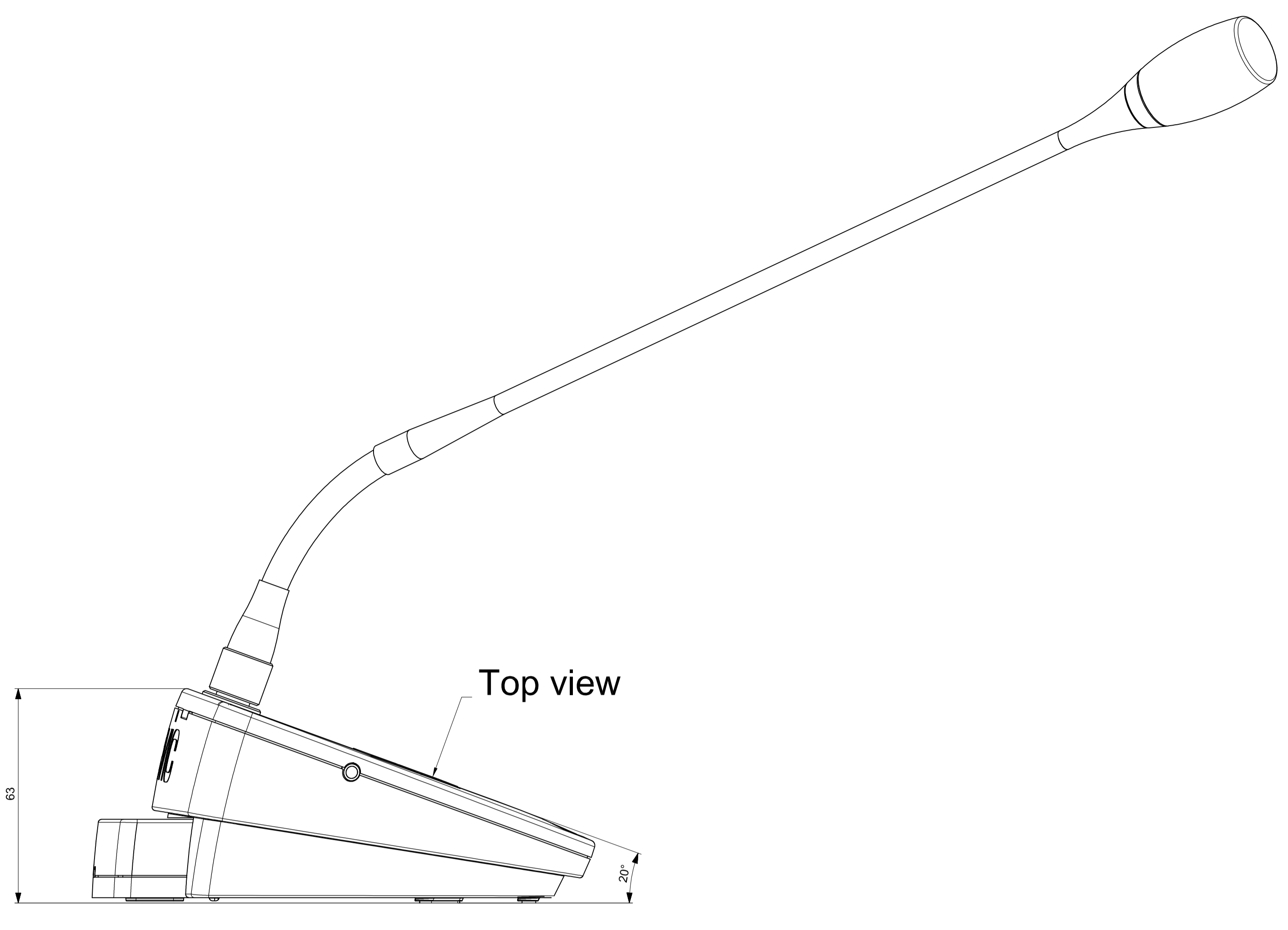
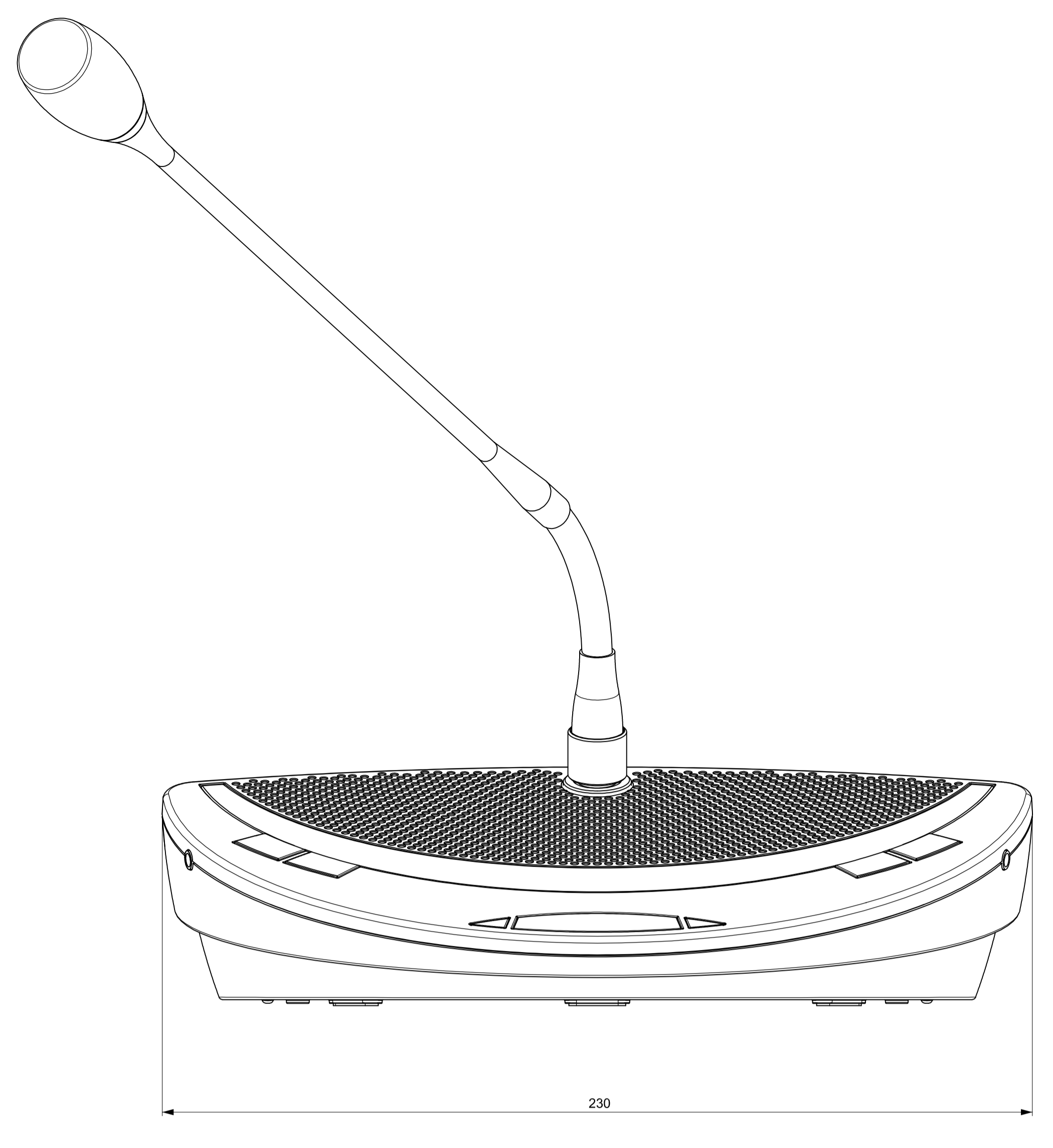


Remarks
 Material: PC/ABS
 BLACK
 Dimension 230 x 148 x 63 mm
 Price applied to the specified quantity.



| | | | | |
|--------------------|------------------------|----------------------------------|------------------------|-------------|
| Author | EC/ner | Original drawing | 2004/02/18 | TVS |
| Revision | EC/ner | Remarks - description | | Name |
| Linear tolerances | Surface roughness | Shape and positioning tolerances | Geometrical tolerances | Finishing |
| ISO 2768-mS | ISO 1302 | ISO 1101 | ISO 2768-mS | see remarks |
| Drawing name | CONFIDEA G3 DD | | | Material |
| Drawn by | TVS | Date | 2004/02/18 | Sheet |
| Approved by | ADV | Scale | 1:1 | 1 of 1 |
| Drawing number | 71.98.0005_M07_2D_0.01 | | | Format |
| televic conference | | | | ADV |

All rights reserved. No part of this concept may be reproduced in any form without the prior written permission of Televic.