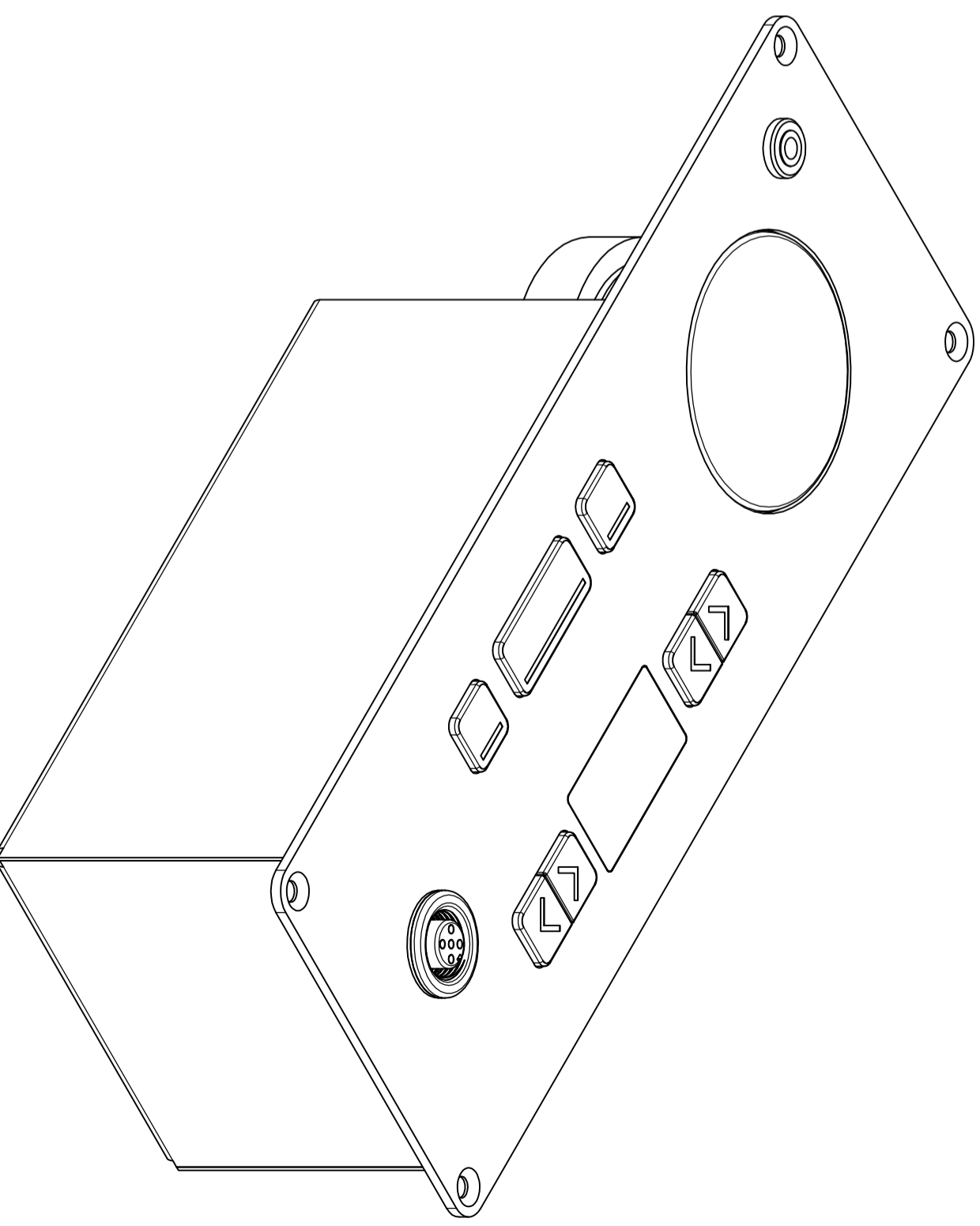
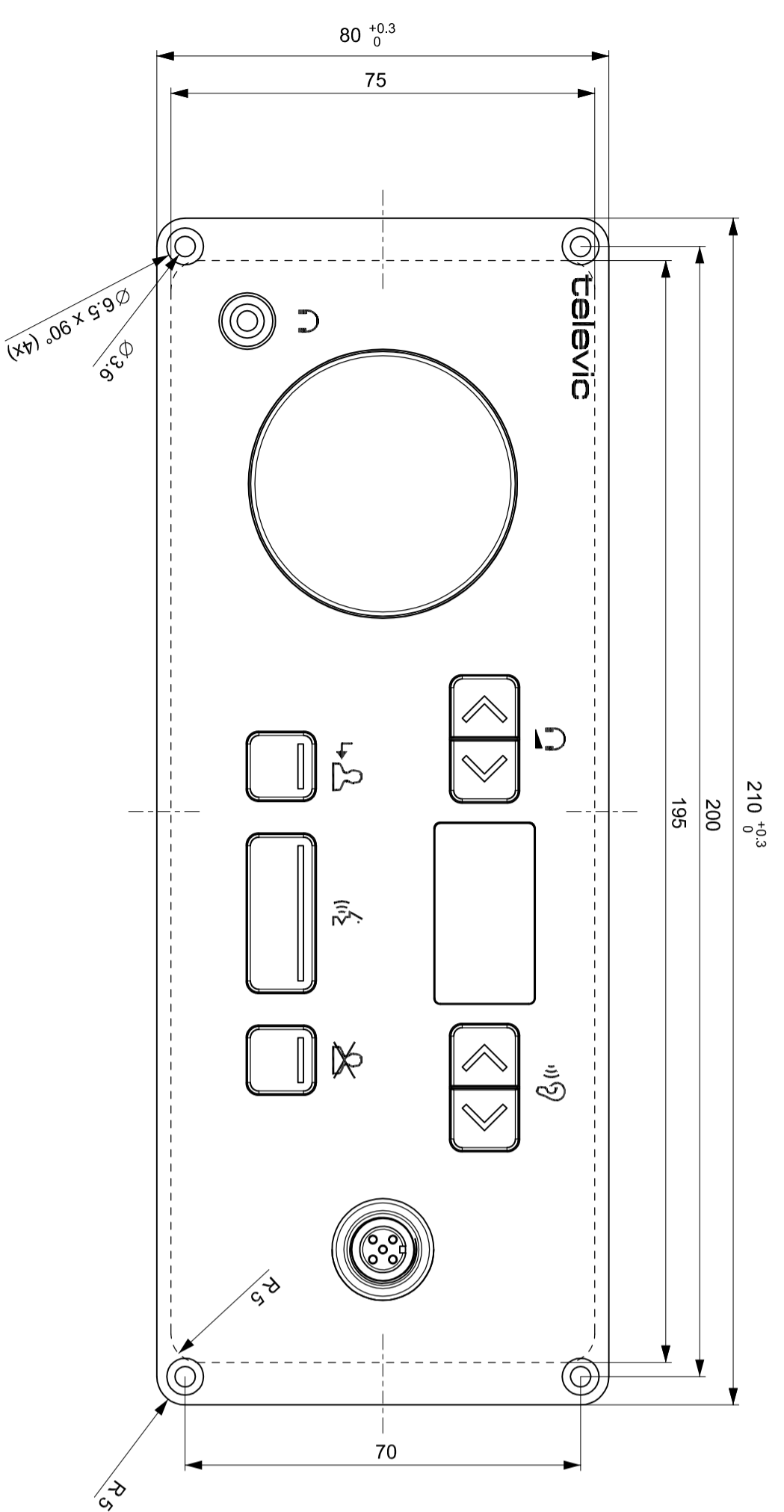


Remarks

- * material :
- fltp: steel E=2mm
- cover: hot dip galvanized steel E=0.75mm
- * painting : powder coating
- Tiger coating Carbon 01 light structured 80µm (±30µm)
- * screening : Pantone 421C

General dimensions : 210 x 80mm R5
 Cutout dimensions: 195 x 75 mm R5
 Build in depth: 70mm

Price applied to the specified quantity.



| | | | | |
|-------------------|-------------------|----------------------------------|-----------------|-------------|
| 1.02 | | ndk for SLIX connector changed | 25/09/2015 | SDL |
| 1.01 | | released drawing | 21/05/2015 | SDL |
| Revision | EChvr | Remarks - description | Date | Name |
| Linear tolerances | Surface roughness | Shape and positioning tolerances | Bend tolerances | Finishing |
| ISO 2768-ndk | ISO 1302 | ISO 1101 / ISO 2768 -K | ISO 2768-ndk | see remarks |
| Drawing name | Material | | | |
| | see remarks | | | |

CONFIDEA F-CI

| | | | |
|---------|-------------|------------------------|--------|
| Name | Date | Drawing number | Sheet |
| SDL | 25/09/2015 | 71.98.0513_M07_2D_1.02 | 1 of 1 |
| APPROVE | DATE APPROV | unit : MM | Scale |
| D. BY | ED | | 1 : 1 |
| | | | Format |
| | | | A2 |



All rights reserved. No parts of this concept may be reproduced in any form or by any means without the prior written permission of Televic.