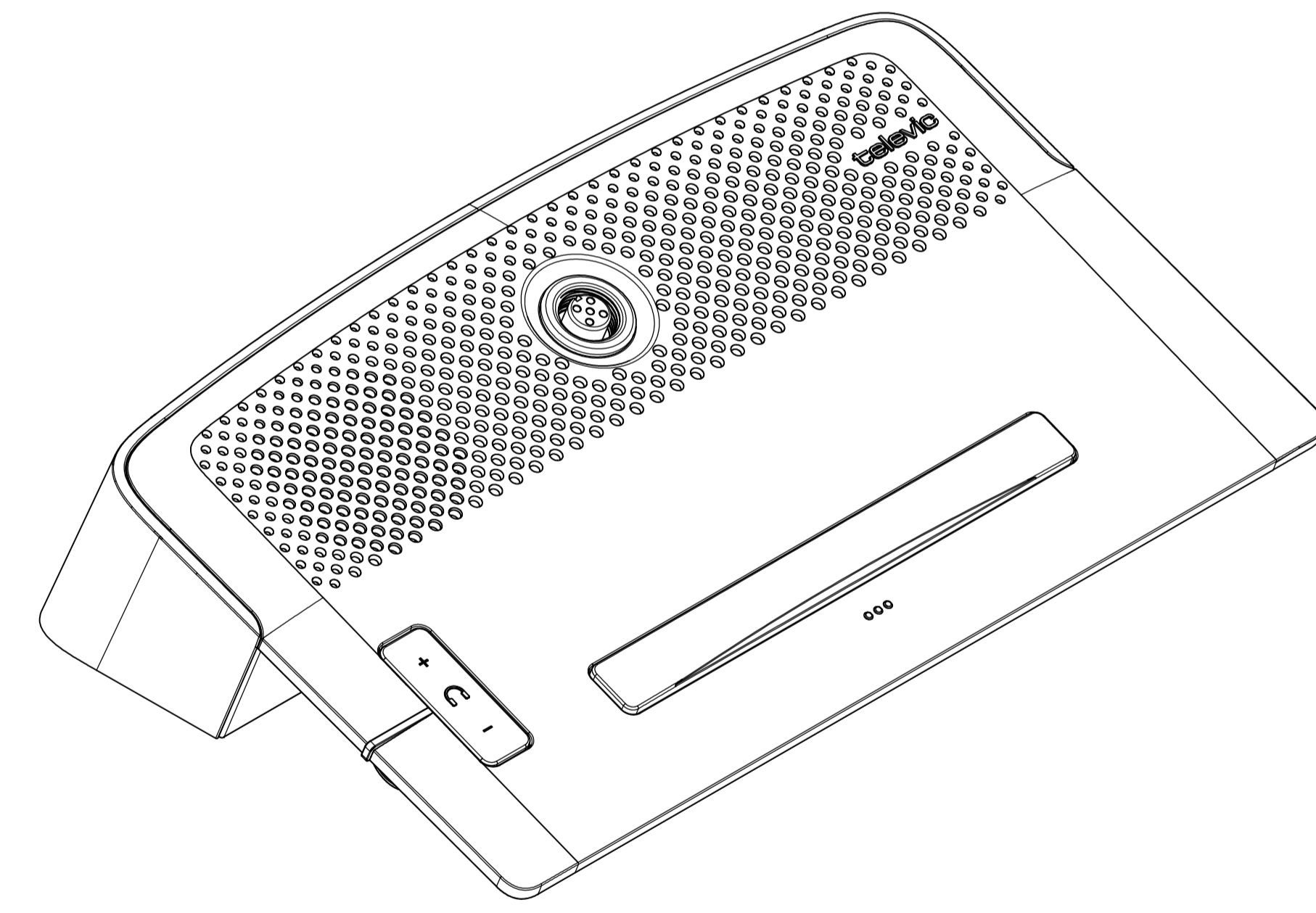
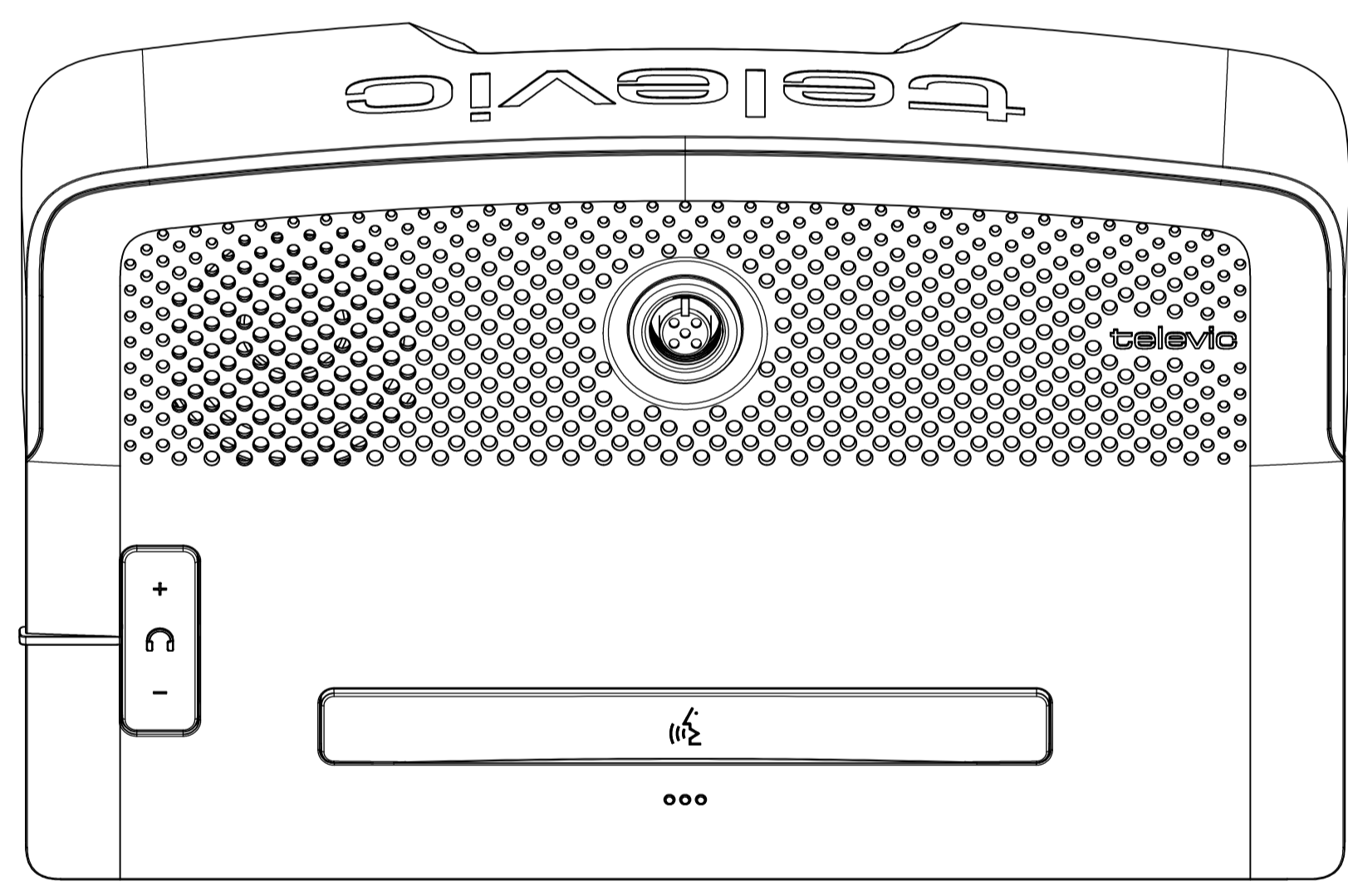
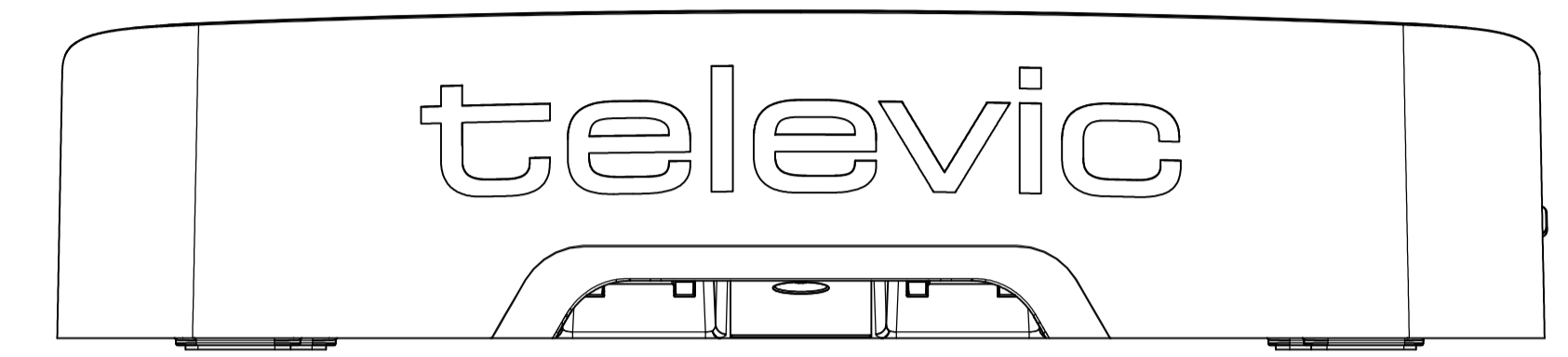
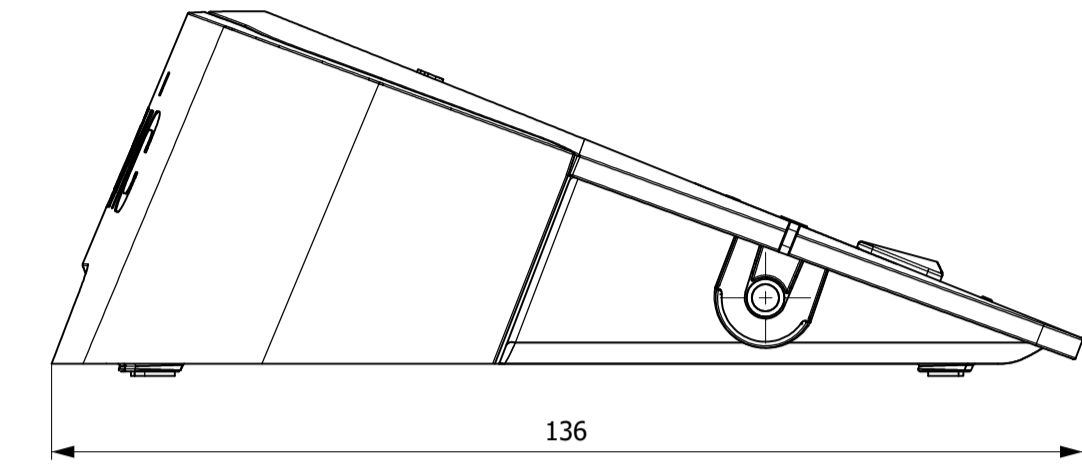
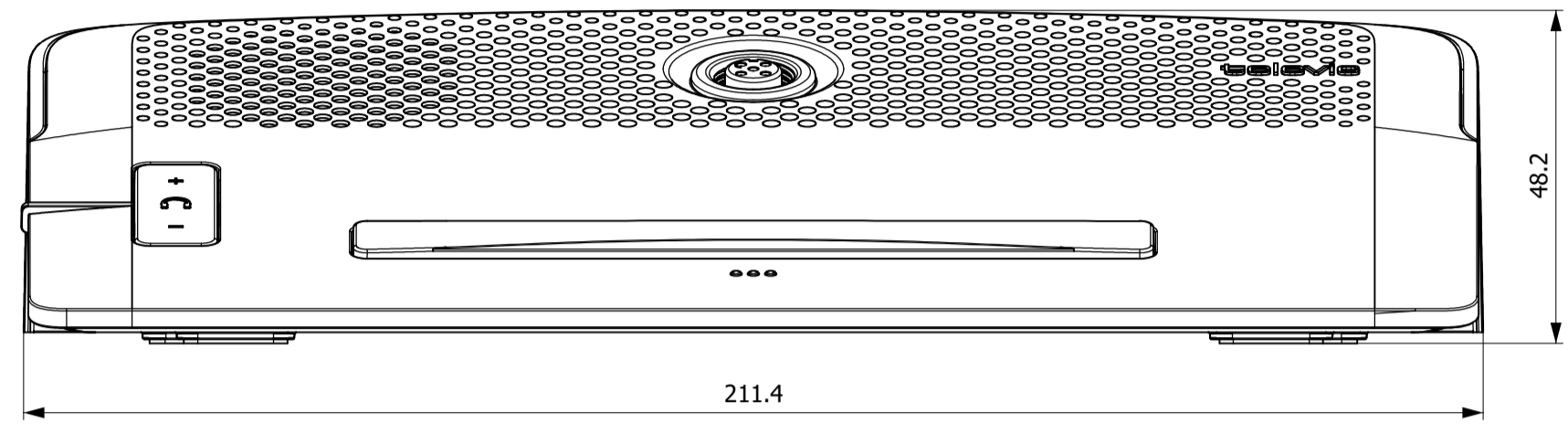


Remarks

material : PC/ABS and zamak 3
finishing :
* Pantone 426 C light structured
* Pantone 8401 C mirror polished



Revision		ECN-nr	Remarks - description		Date	Name
Linear tolerances		Surface roughness	Shape and positioning tolerances	Bend tolerances	Finishing	
ISO 2768-middle		ISO 1302	ISO 1101 / ISO 2768 - K	ISO 2768-middle	see remarks	
Drawing name						Material
D-CERNO SL DELEGATE						see remarks
Drawn by	Name	Date	Drawing number		Sheet	1 of 1
BV	BV	09/04/2018	71.98.0306_M07_2D_0.03		Scale	1 : 1
Approved by	APPROVE	DATE APPROV	unit : mm		Format	A1
televic		conference		All rights reserved. No parts of this concept may be reproduced in any form or by any means without the prior written permission of Televic.		