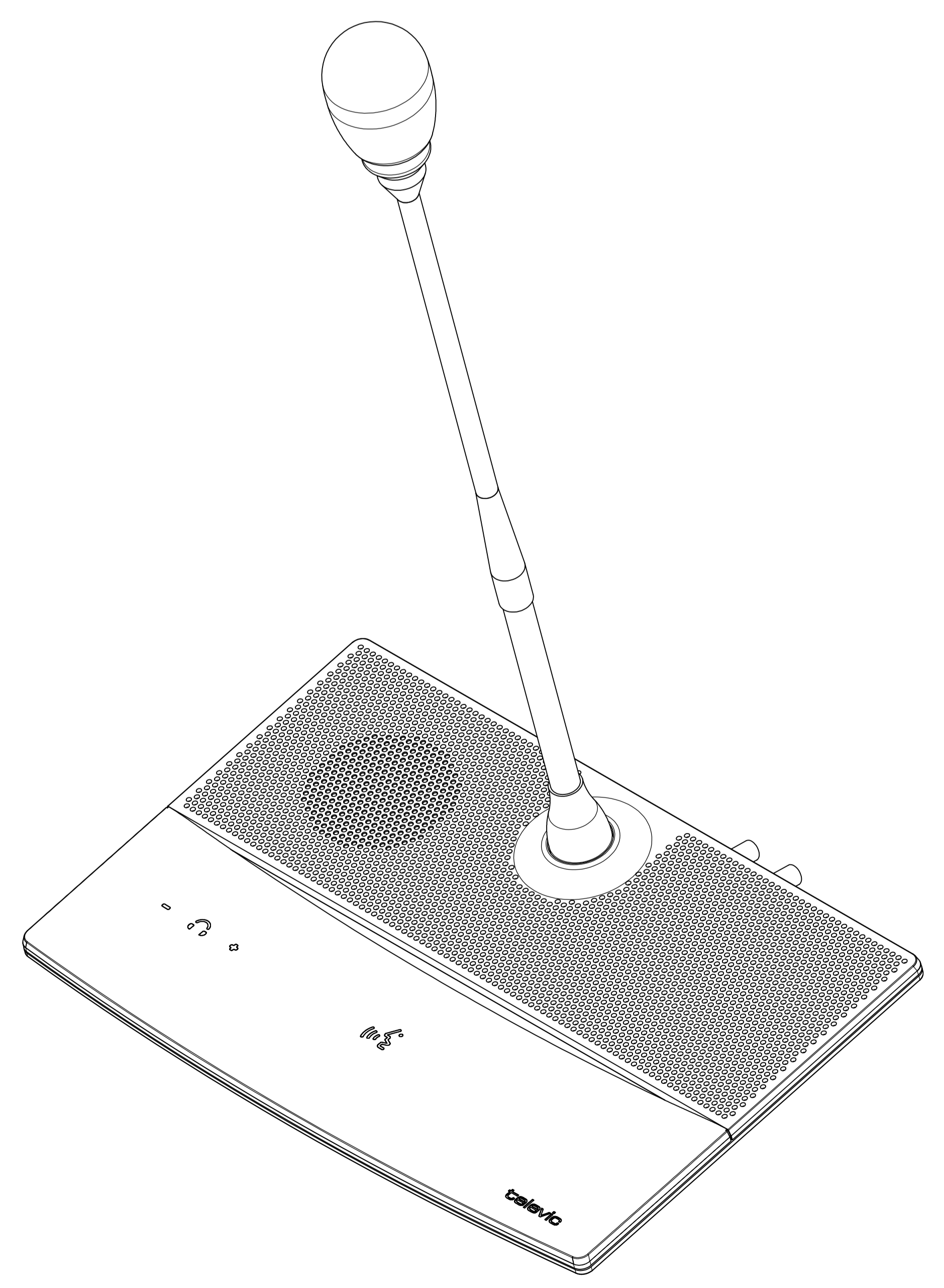
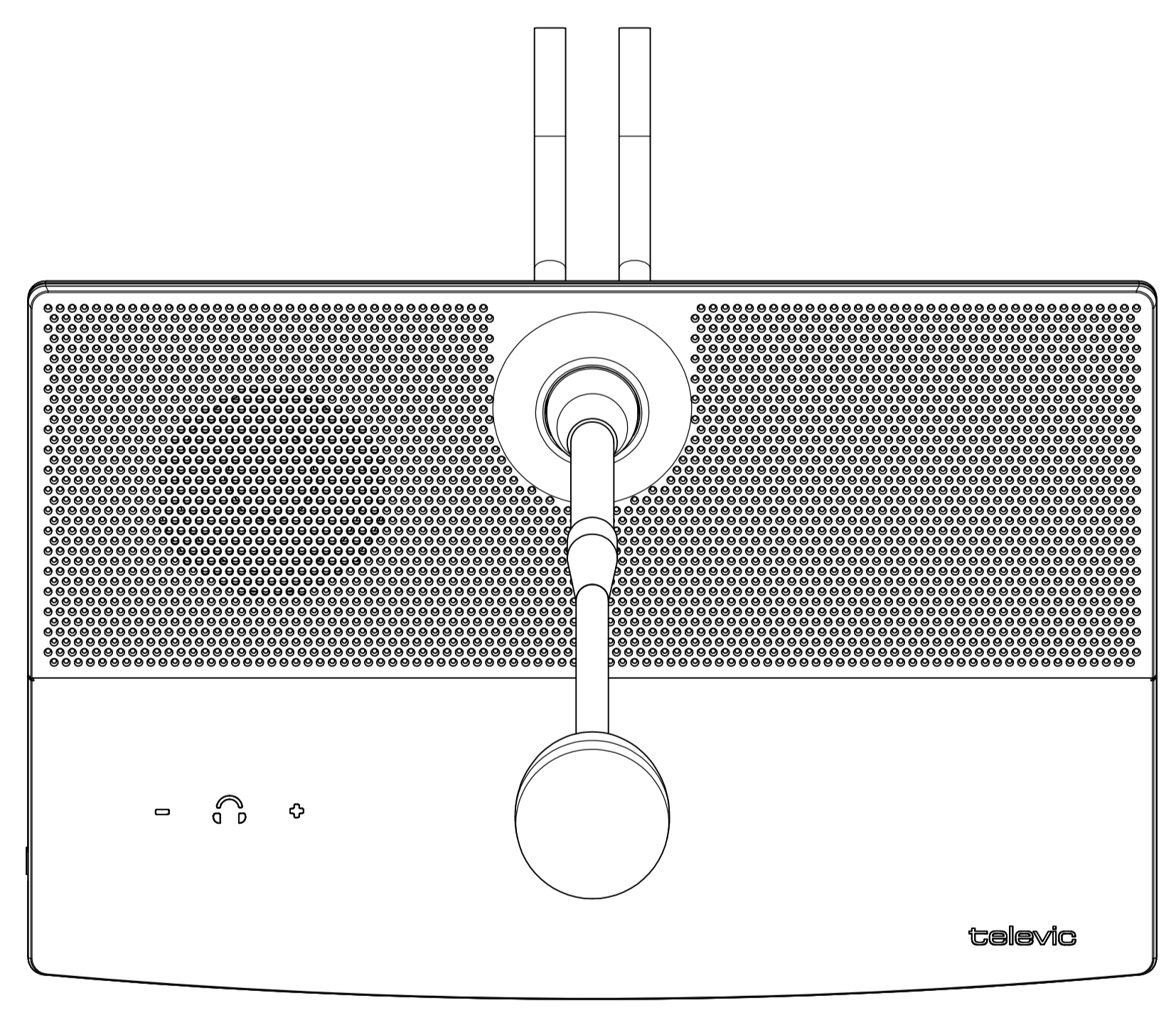
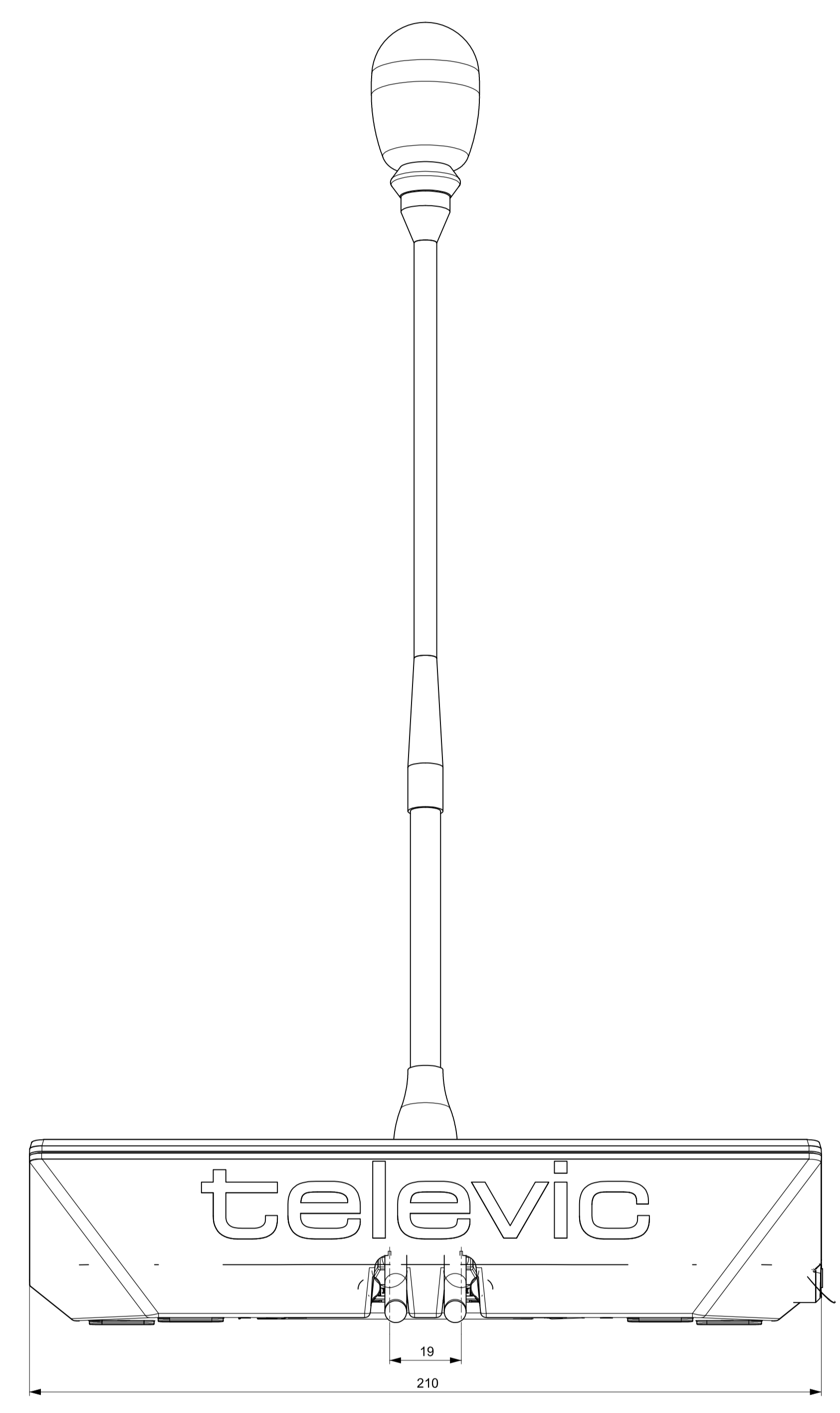
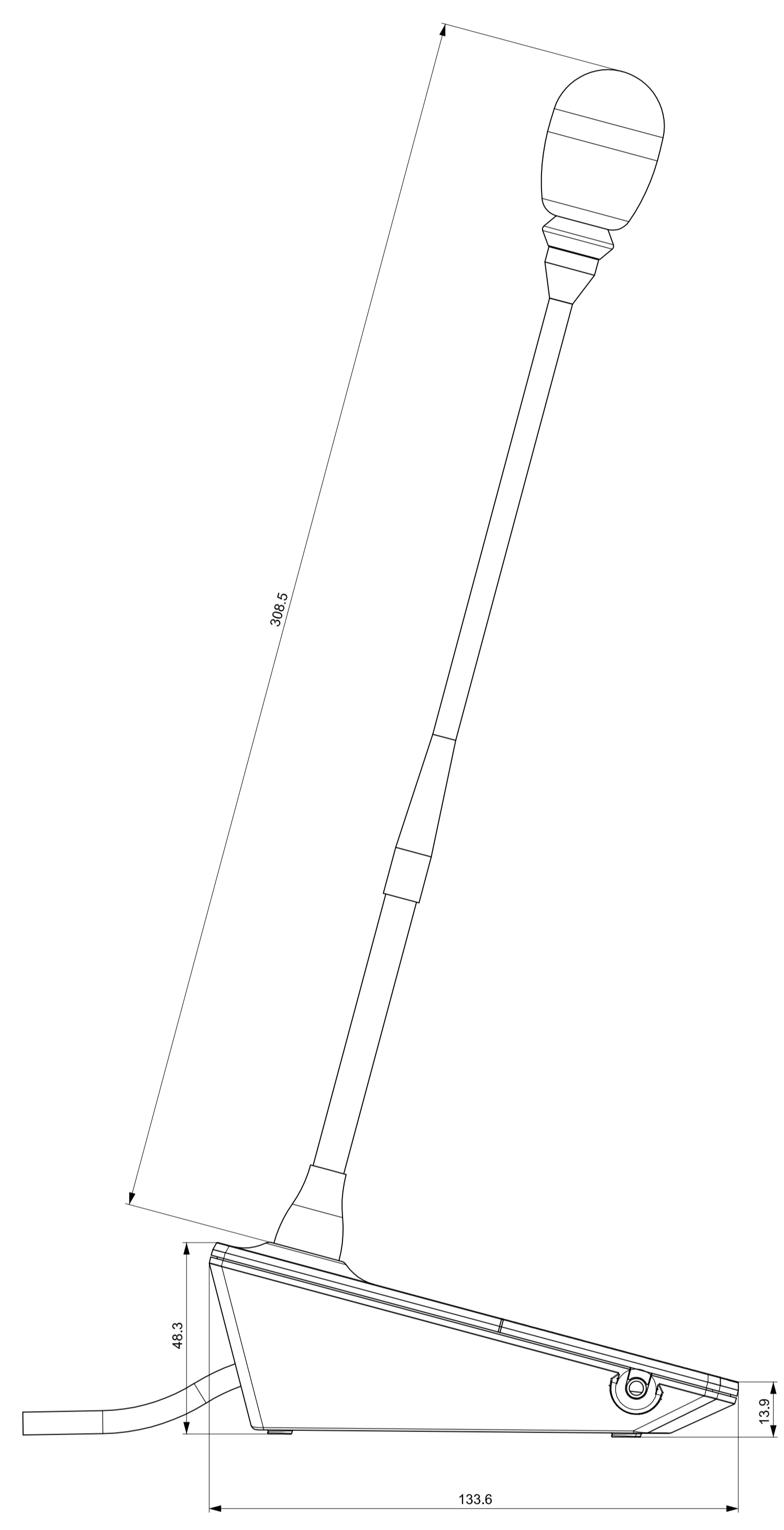
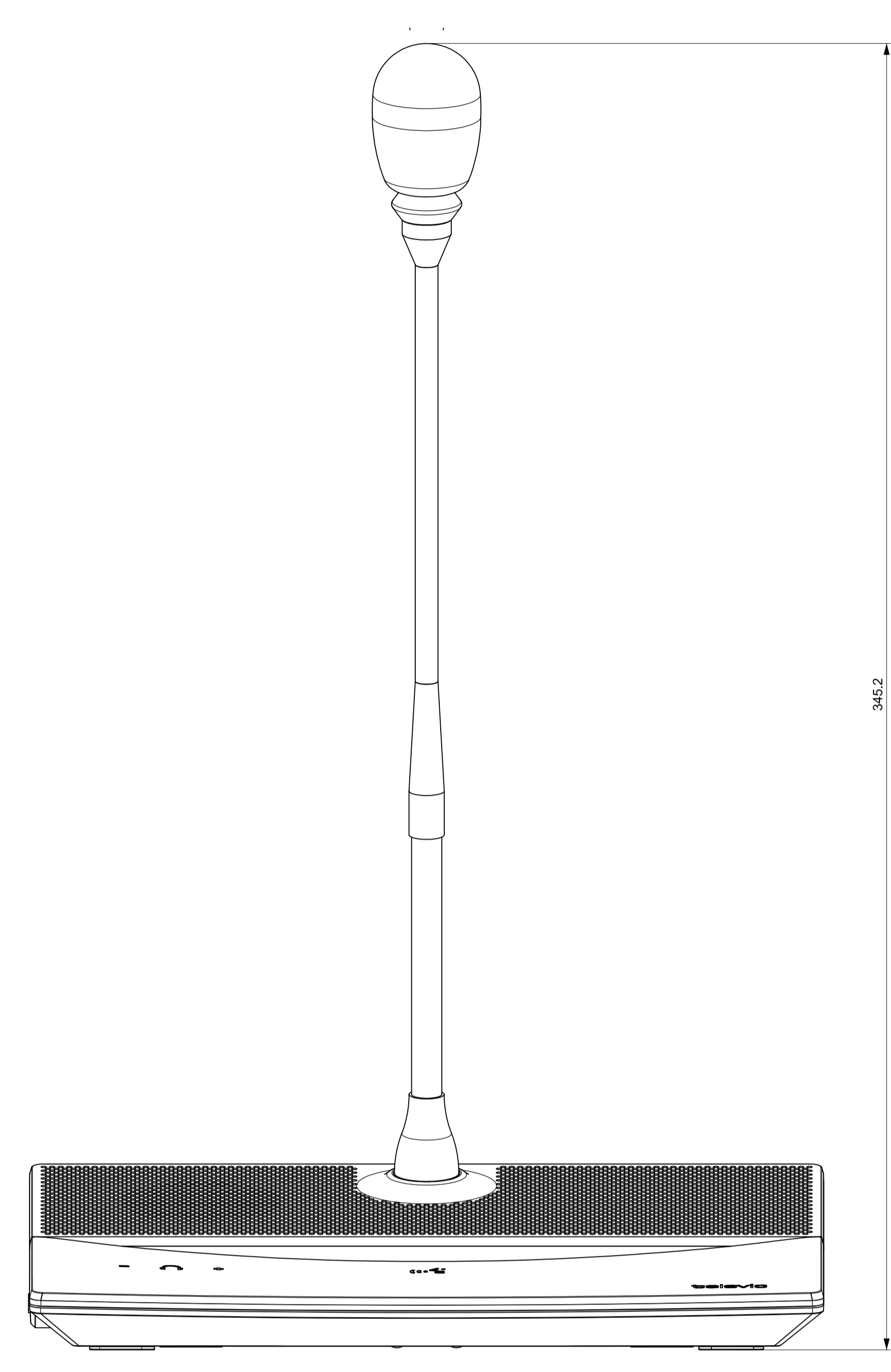
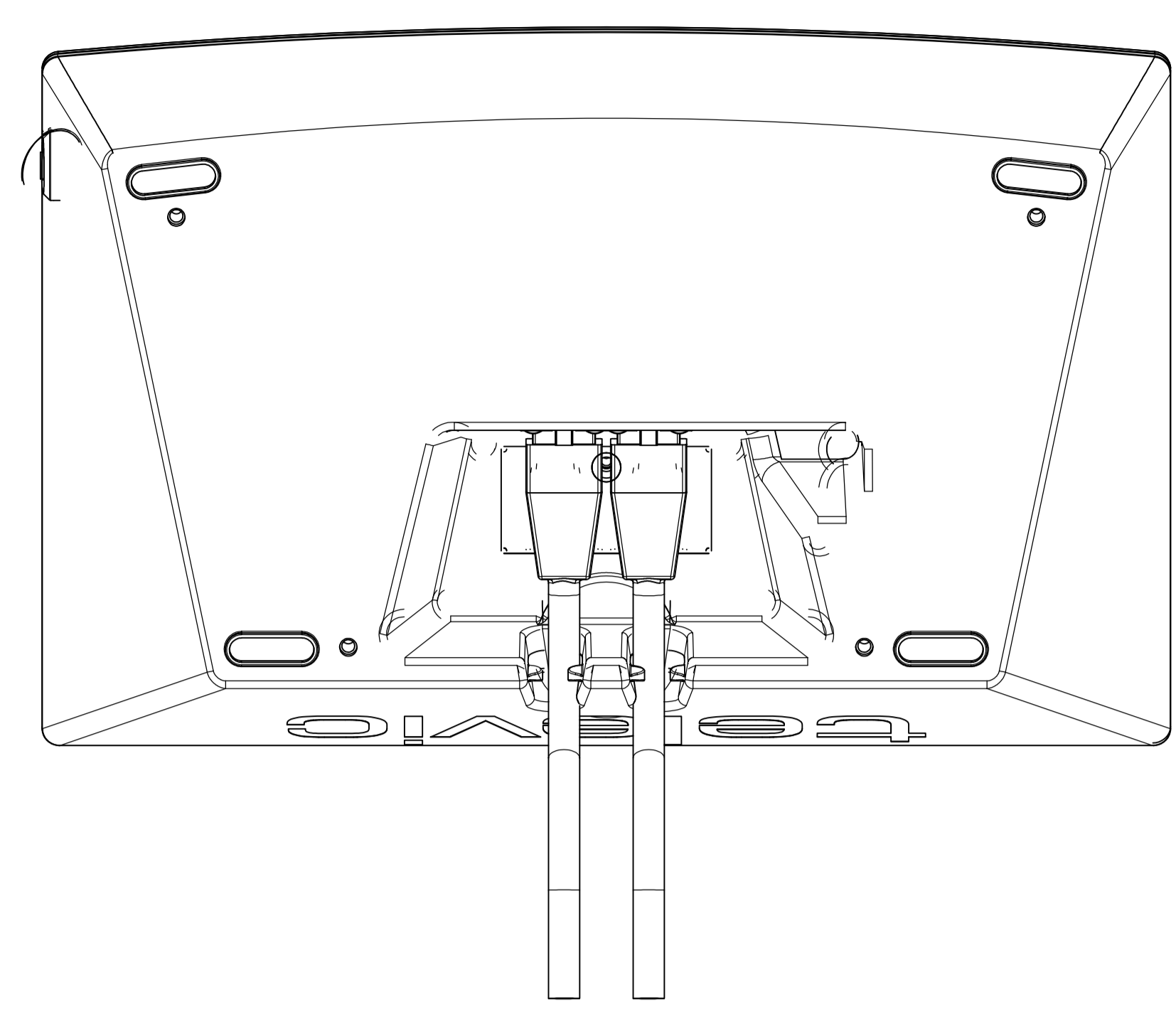


Remarks  
 Material: PC / ABS  
 BLACK  
 Dimensions: 210x135x50mm  
 Mic length: 300mm  
 Price applied to the specified quantity.



Revision	ECler	Remarks - description	Dim	Name
1				
2				
3				
4				
5				
6				
7				
8				
9				
10				
11				
12				

Linear tolerances	Surface roughness	Shape and positioning tolerances	Geod. tolerances	Finishing
ISO 2768-mS	ISO 1302	ISO 1101 / ISO 2768 - M	ISO 2768-mS	see remarks
Drawing name				Material
<b>D-Cerno D</b>				PC/ABS
Drawn by	SKL	Checked by	71.98.0301_M07_2D_0.01	Sheet 1 of 1
Approved by	18.07	Unit: mm		Scale 1:1:1
				Format ADV
All rights reserved. No part of this concept may be reproduced in any form or by any means without the prior written permission of Televisio.				