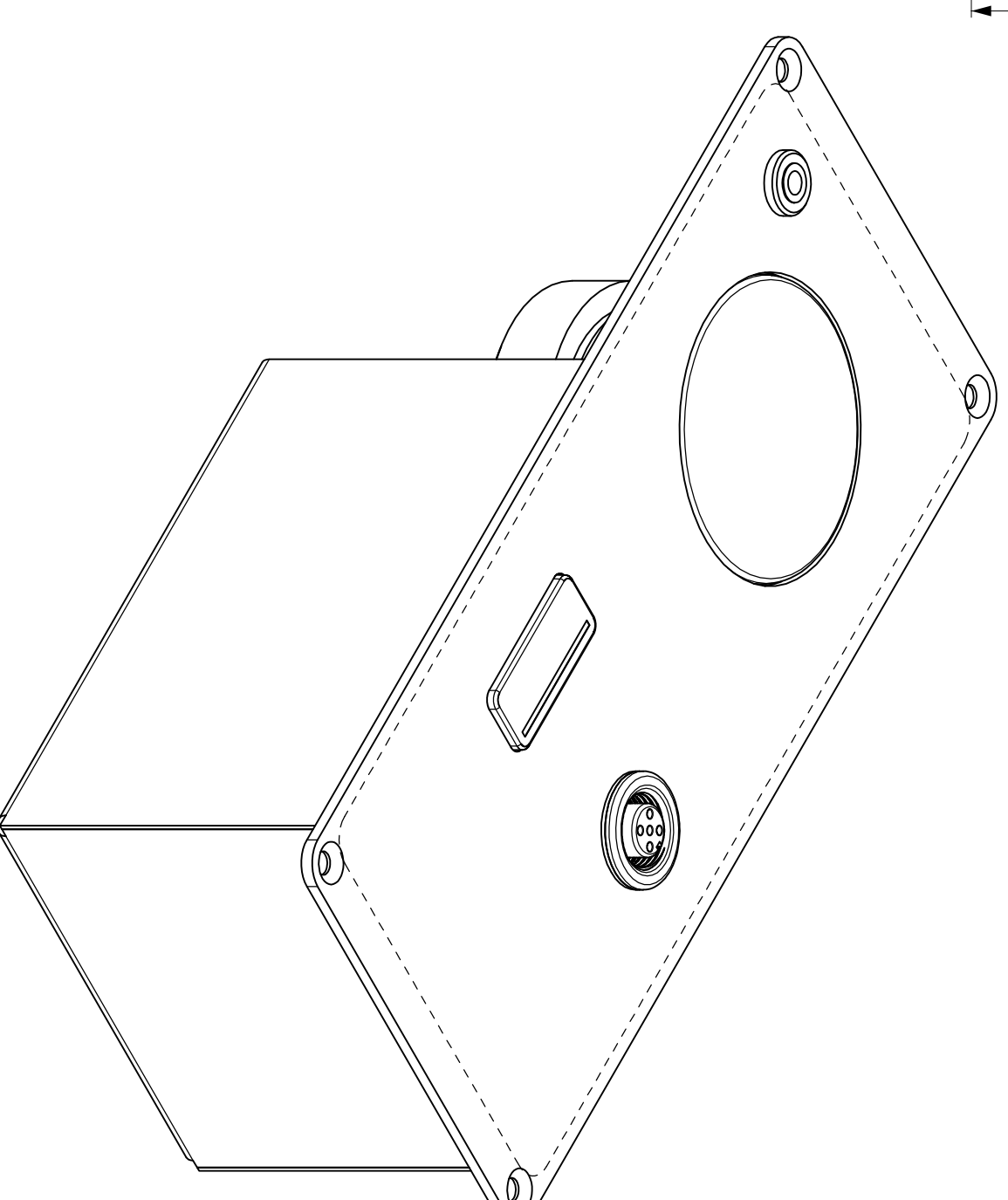
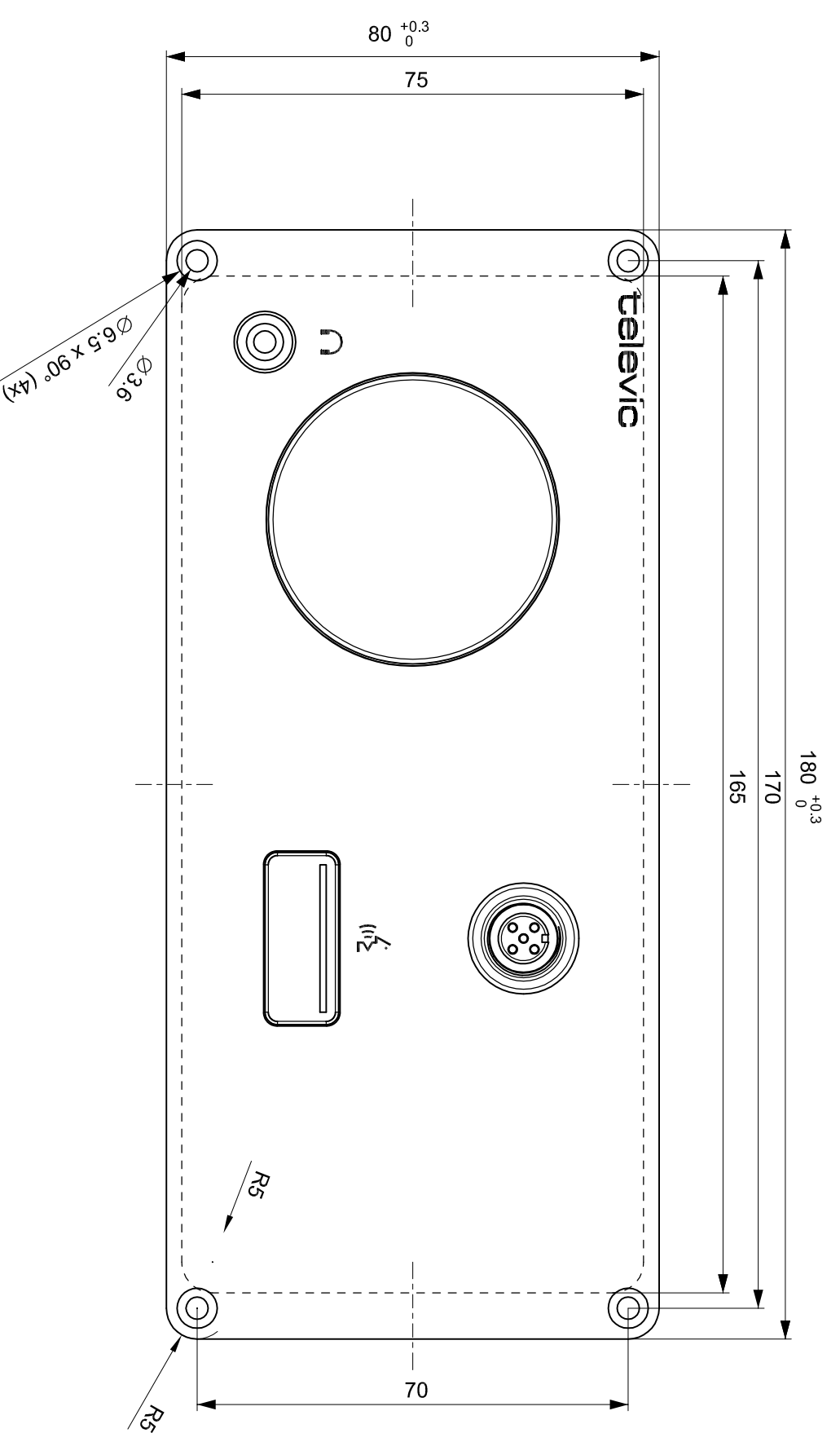
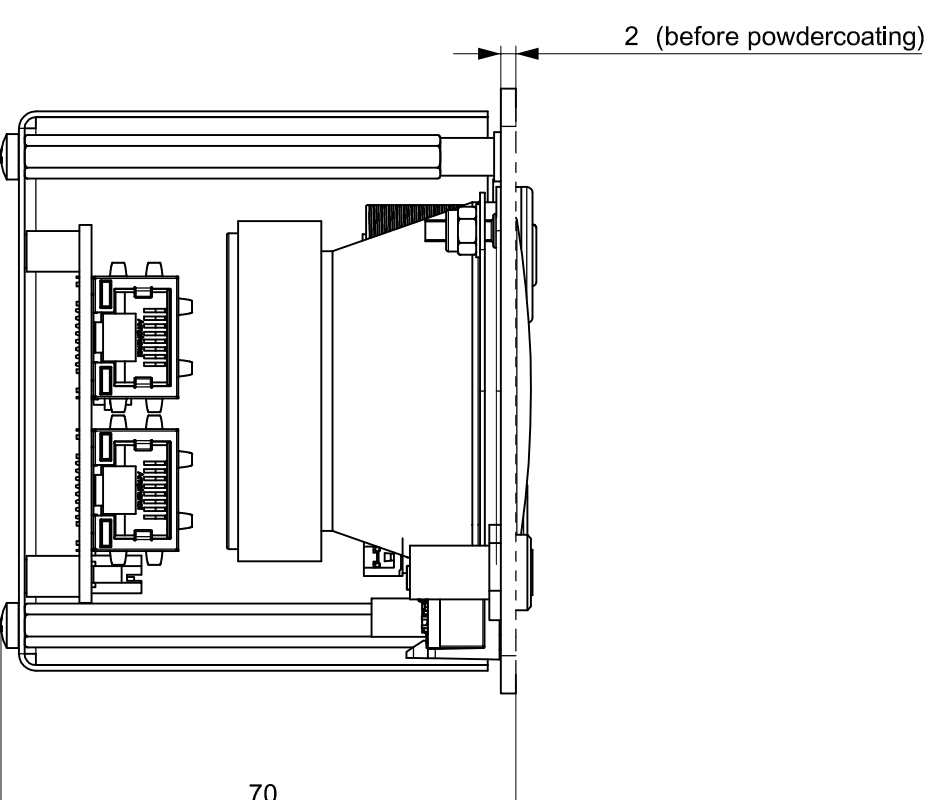
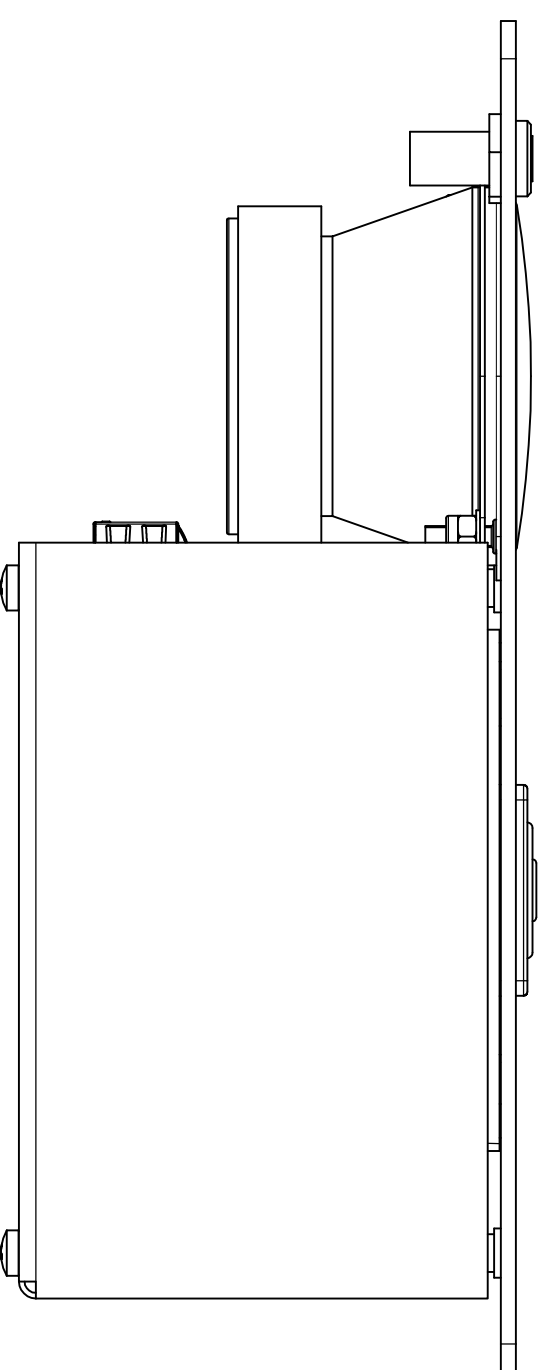


- Remarks
- * material :
 - ftp: steel E=2mm
 - cover: hot dip galvanized steel E=0.75mm
 - * painting : powder coating
 - Tiger coating Carbon 01 light structured 80µm (±30µm)
 - * screening : Pantone 421C
- General dimensions : 180 x 80mm R5
 Cutout dimensions: 165 x 75 mm R5
 Build in depth: 70mm
- Price applied to the specified quantity.



1.02	1.02	25/09/2015	SPL
1.01	original drawing	21/05/2015	SPL
Revision	Author	Date	Name
Linear tolerances	Surface roughness	Shape and positioning tolerances	Bend tolerances
ISO 2768-ndk	ISO 1302	ISO 1101 / ISO 2768 -K	ISO 2768-ndk
Drawing name		Finishing	
		see remarks	
Material			
see remarks			

CONFIDEA F-DD

Name	Date	Drawing number	Sheet
SPL	25/09/2015	71.98.0501_M07_2D_1.02	1 of 1
Drawn by	zslavovis	Scale	1 : 1
APPROVE DATE APPROV	unit: MM	Format	A2
D. BY			



All rights reserved. No parts of this concept may be reproduced in any form or by any means without the prior written permission of Talavio.