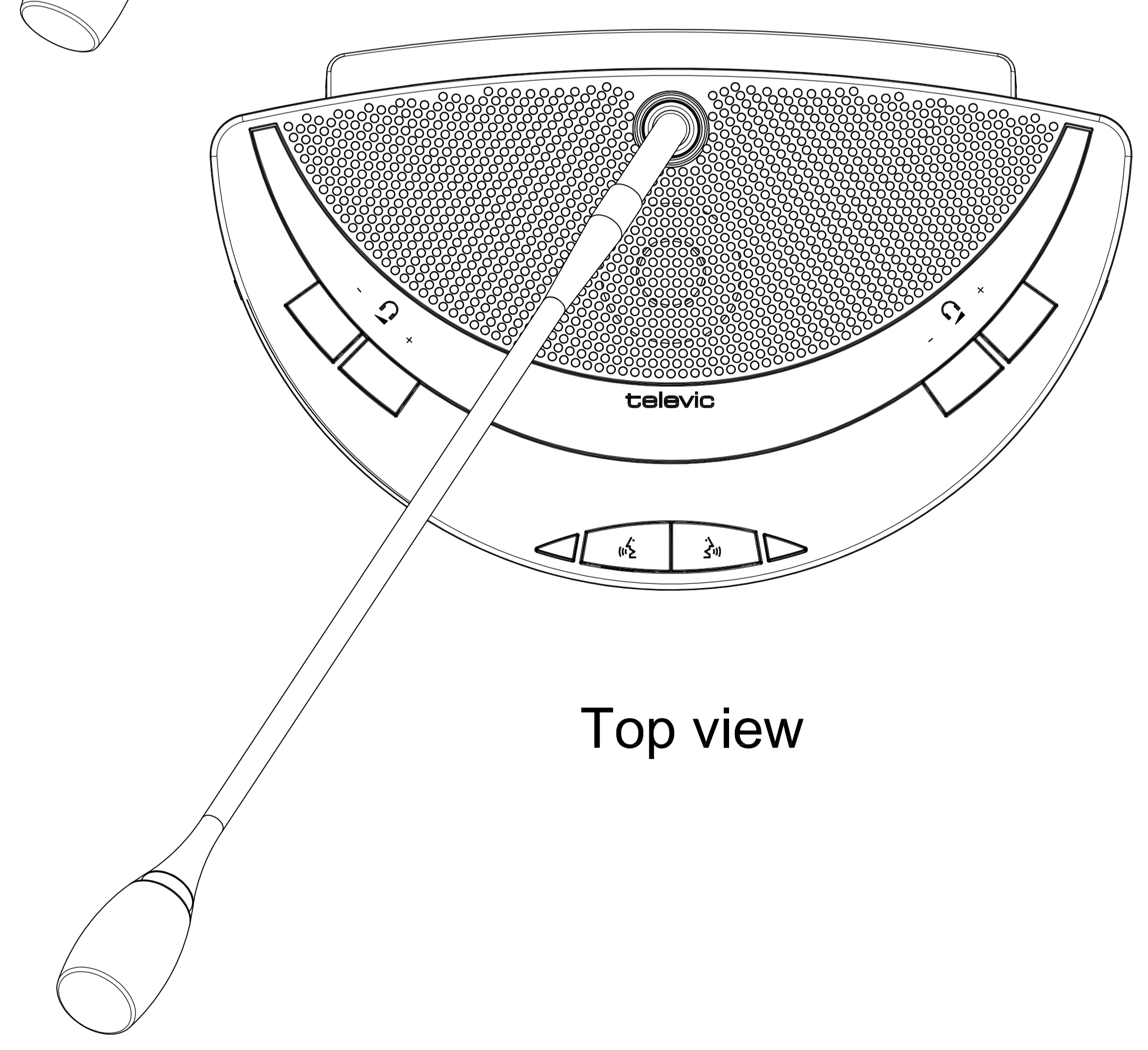
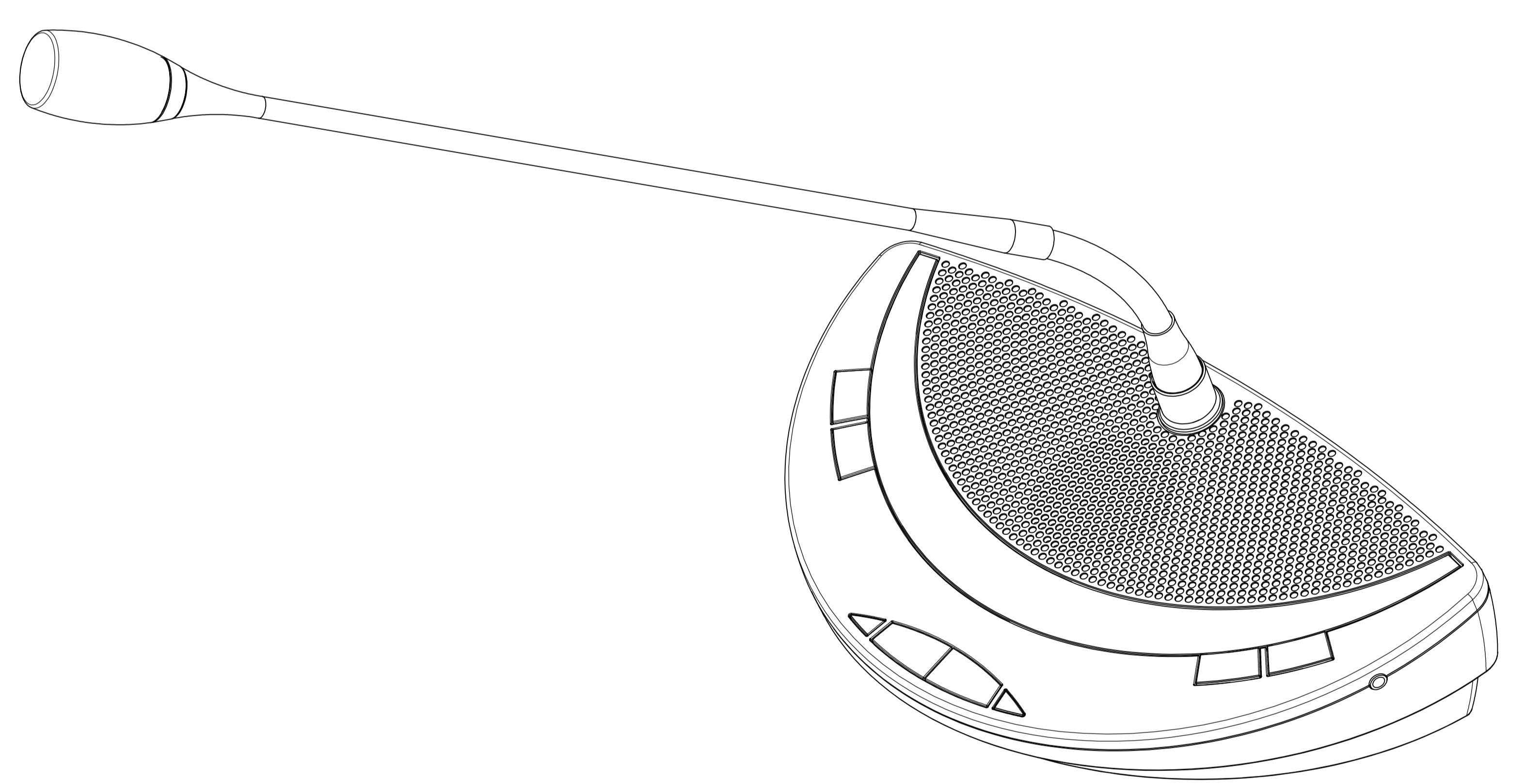
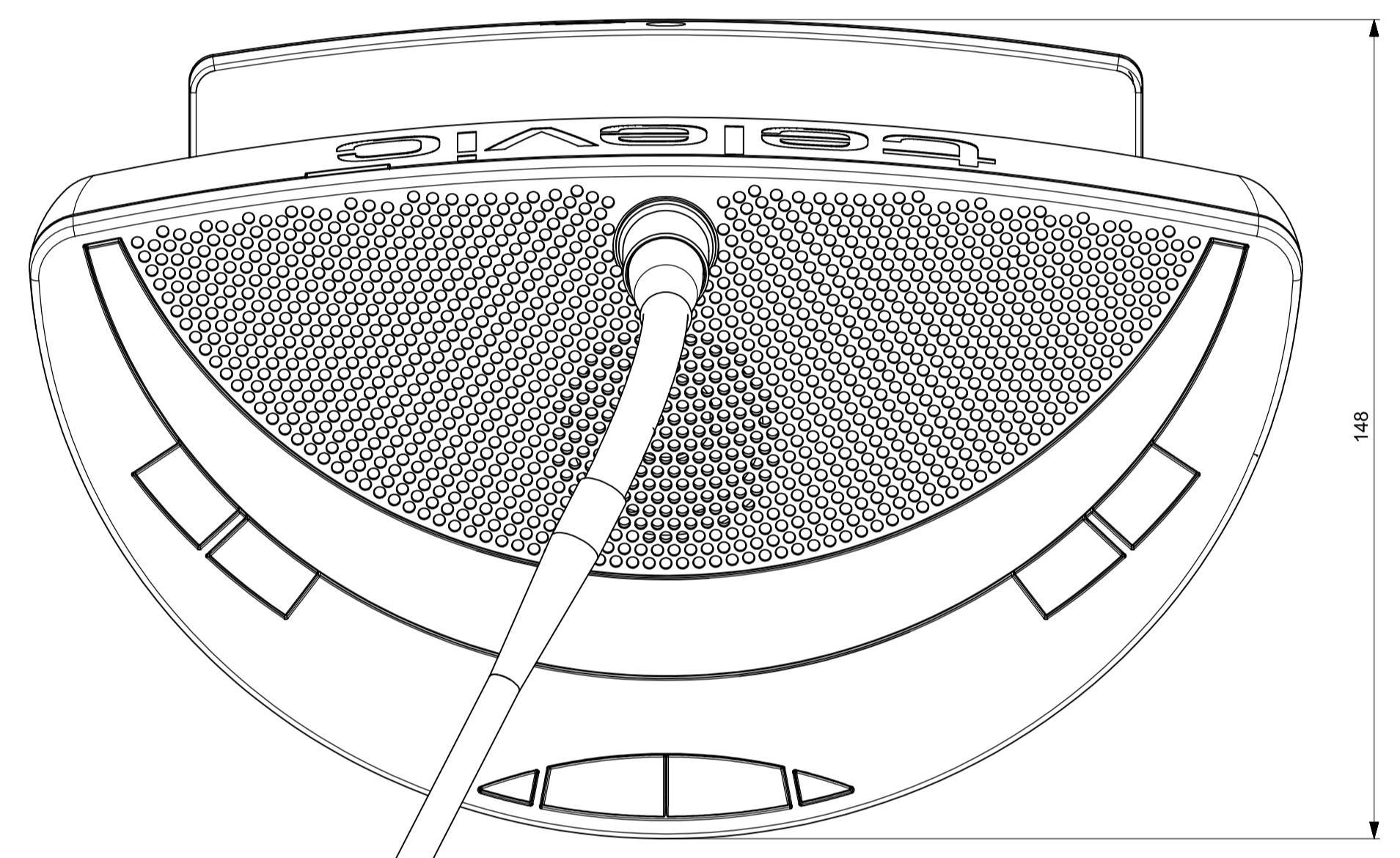
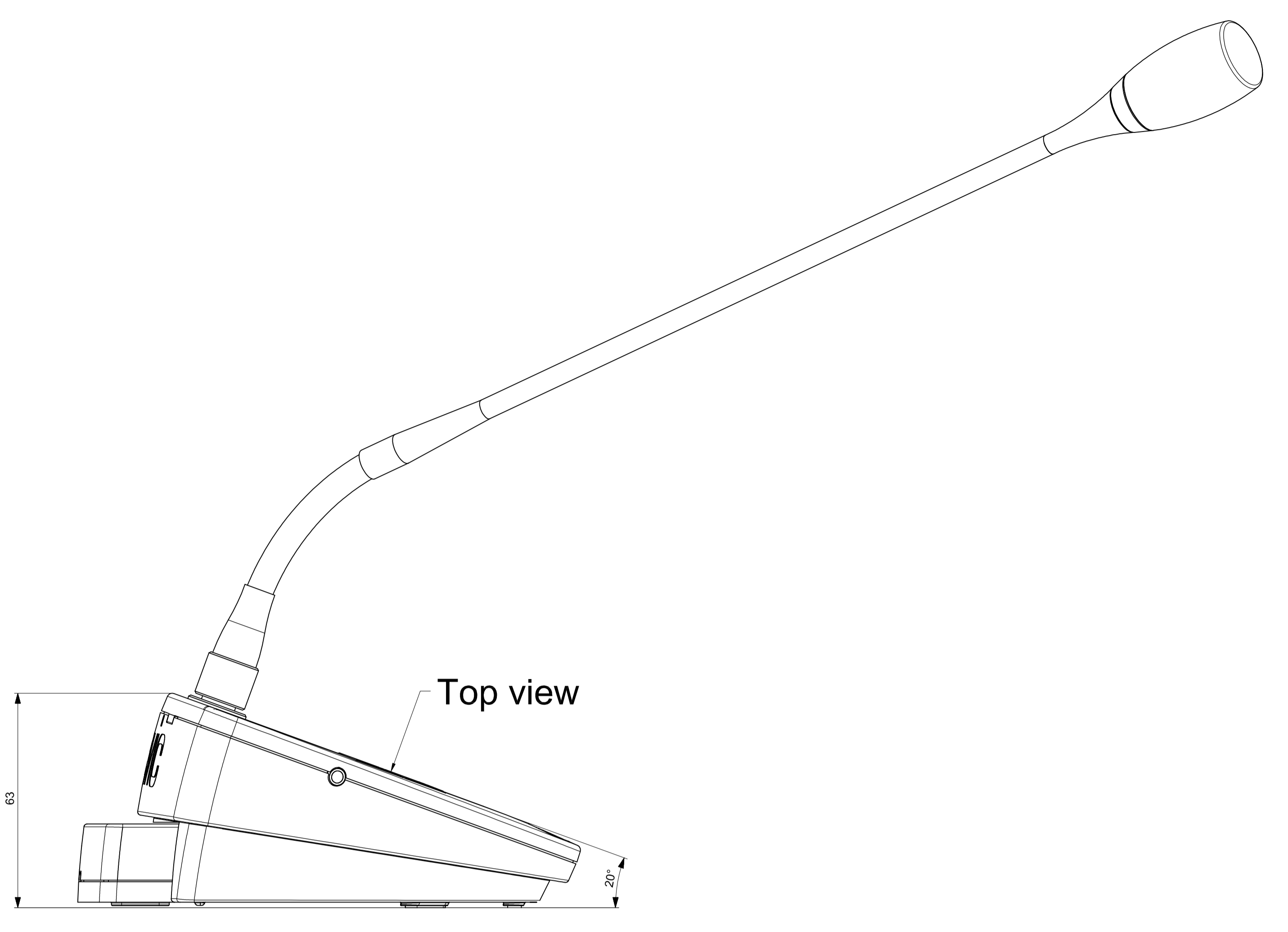
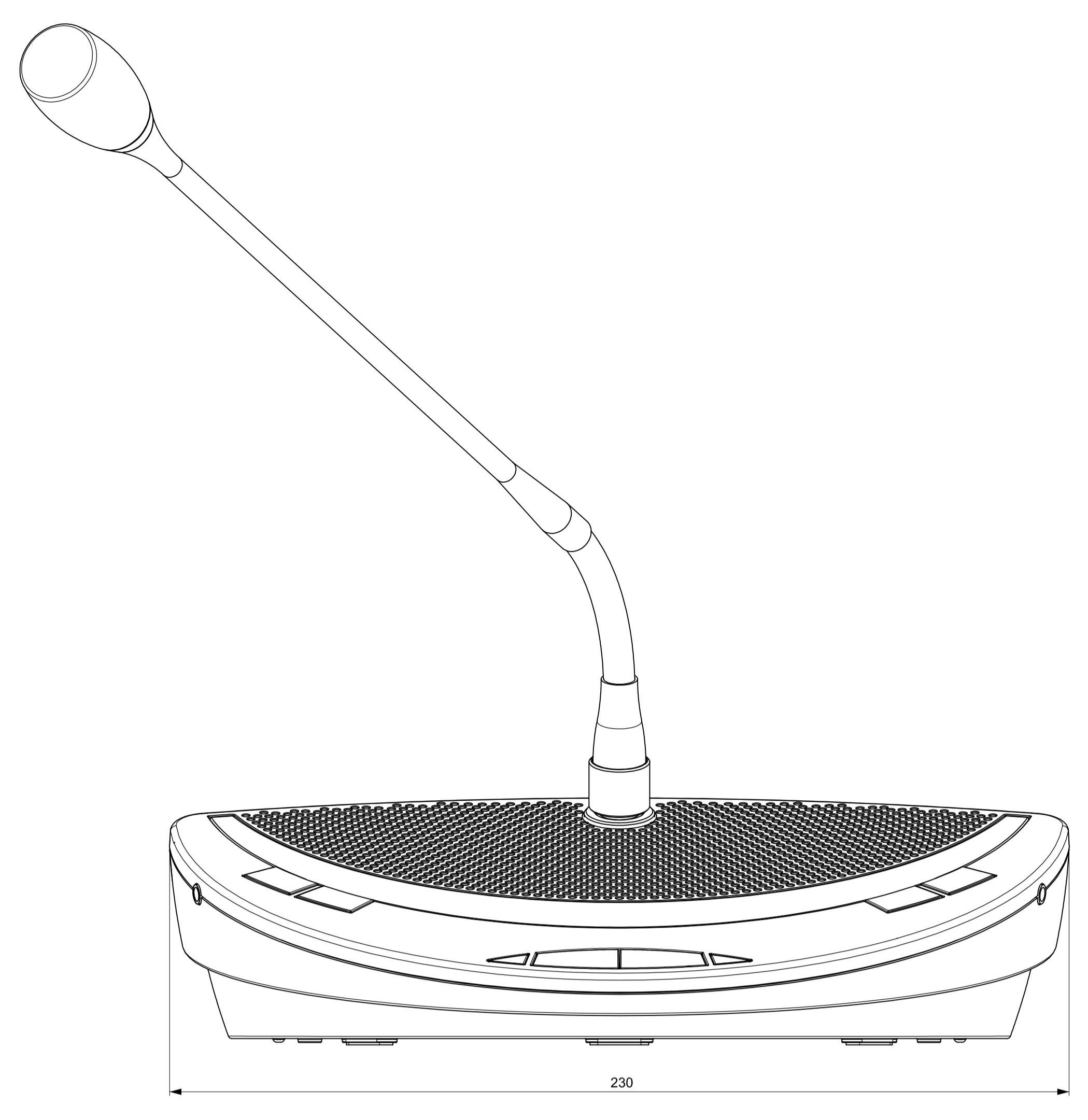


Remarks
 Material: PC/ABS
 BLACK
 Dimensions 230 x 148 x 63 mm
 Price applied to the specified quantity



Date		2/19/2018		Title		71.98.0026	
Revision		E2/Rev		Remarks - description		Date	
Linear tolerances		Surface roughness		Shape and positioning tolerances		Geometric tolerances	
ISO 2768-mS		ISO 1382		ISO 1101 / ISO 2768 - M		ISO 2768-mS	
Drawing name		Confidea G3 2D2D		Drawing number		71.98.0026_M07_2D_0.01	
Drawn by		TYS		Checked by		TYS	
Approved by		TYS		Date		18.07.2018	
Scale		1:1		Format		A3	



All rights reserved. No part of this concept may be reproduced in any form or by any means without the prior written permission of Televic.