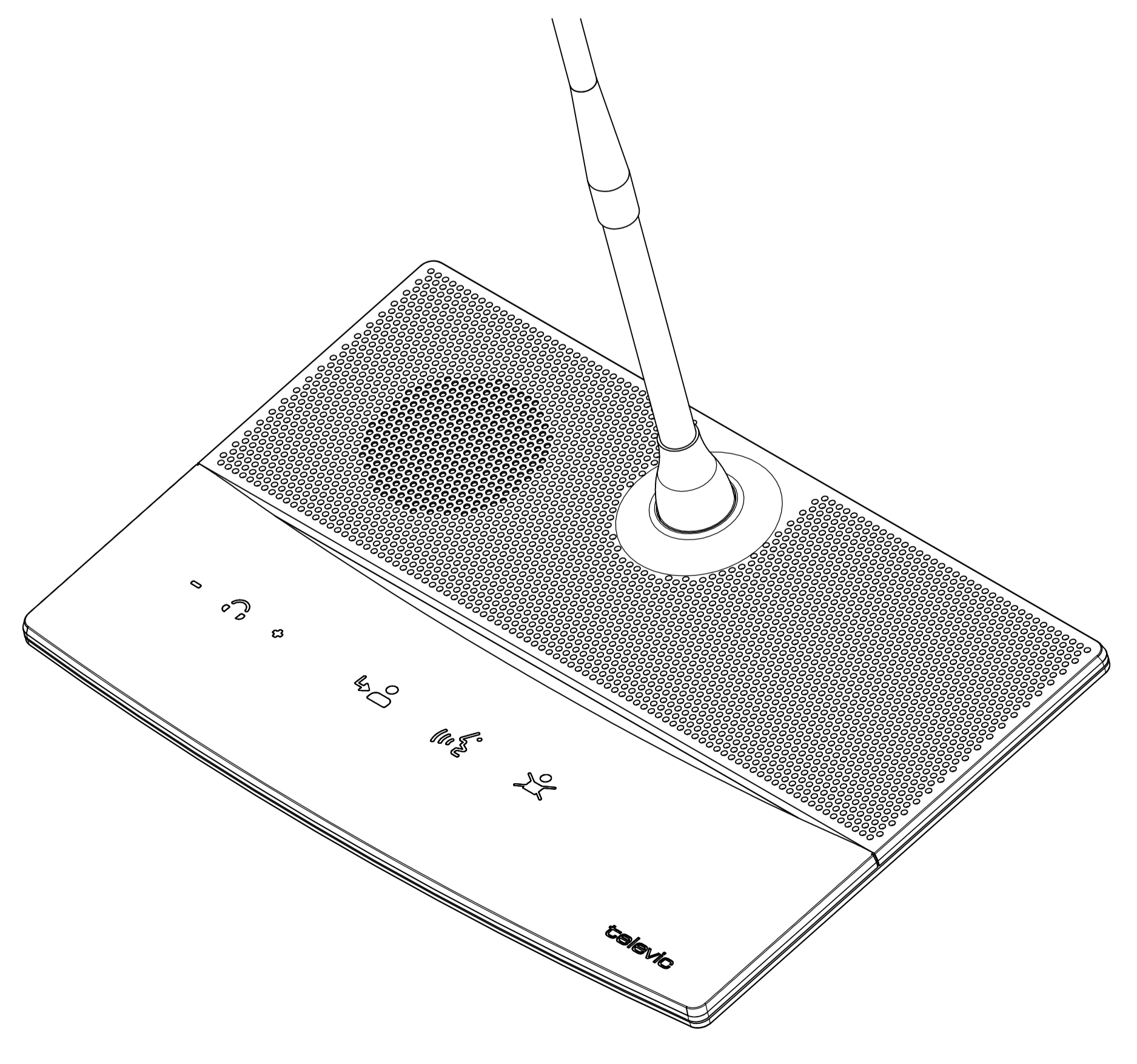
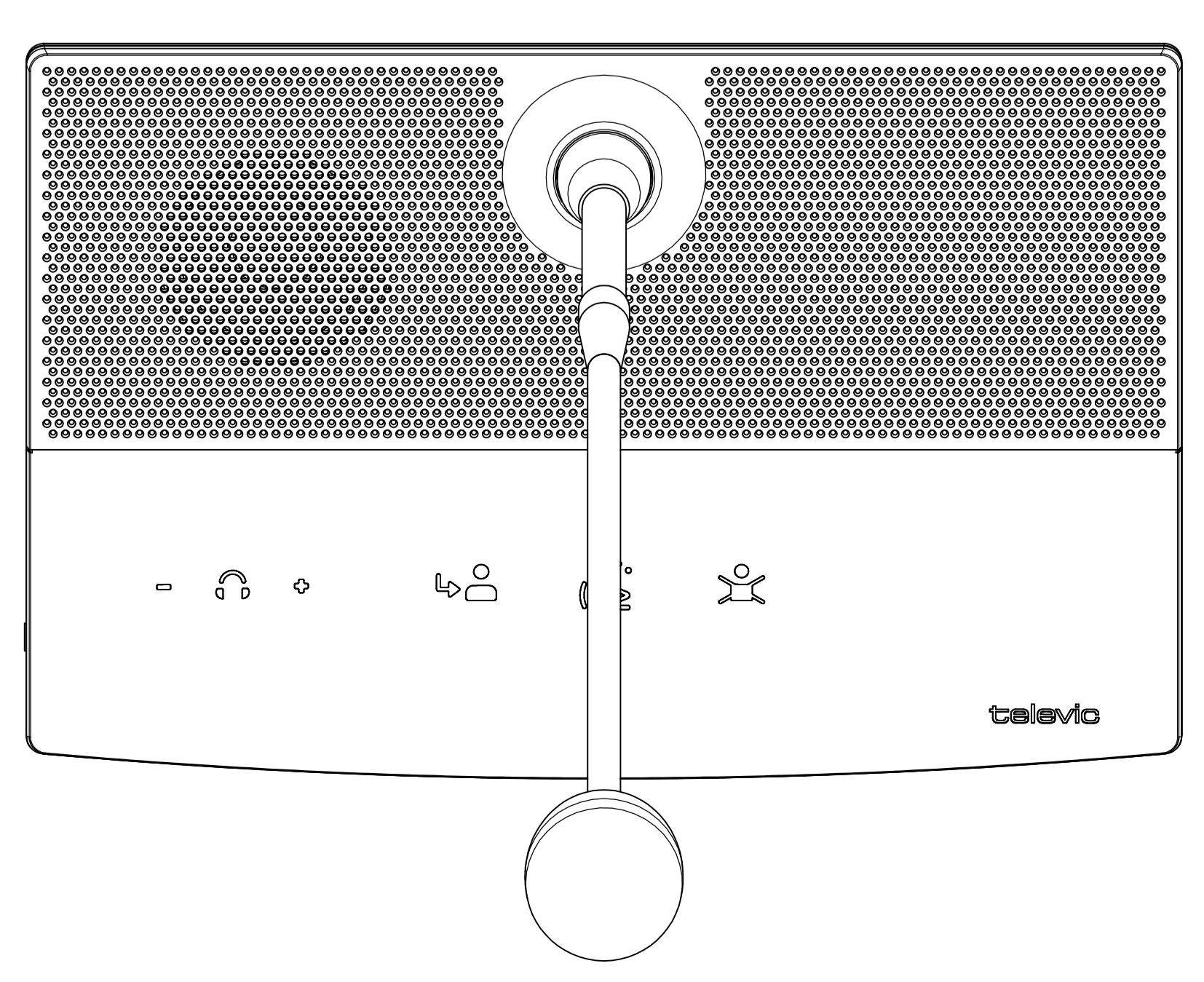
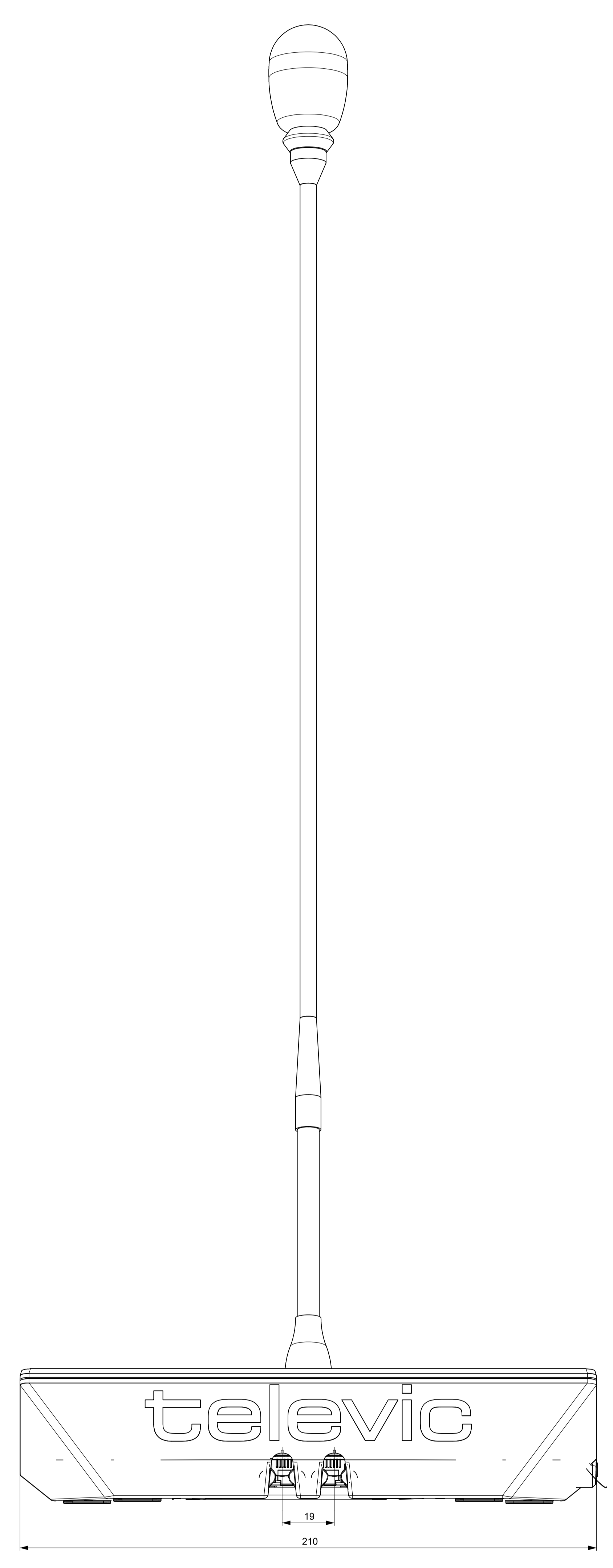
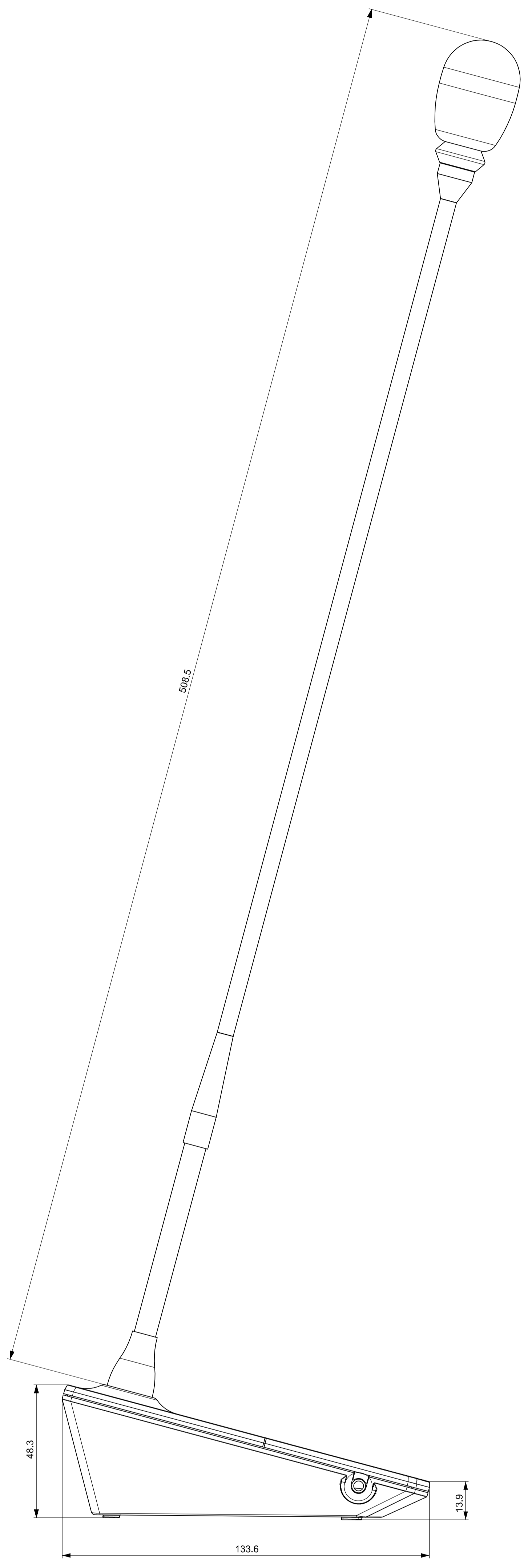
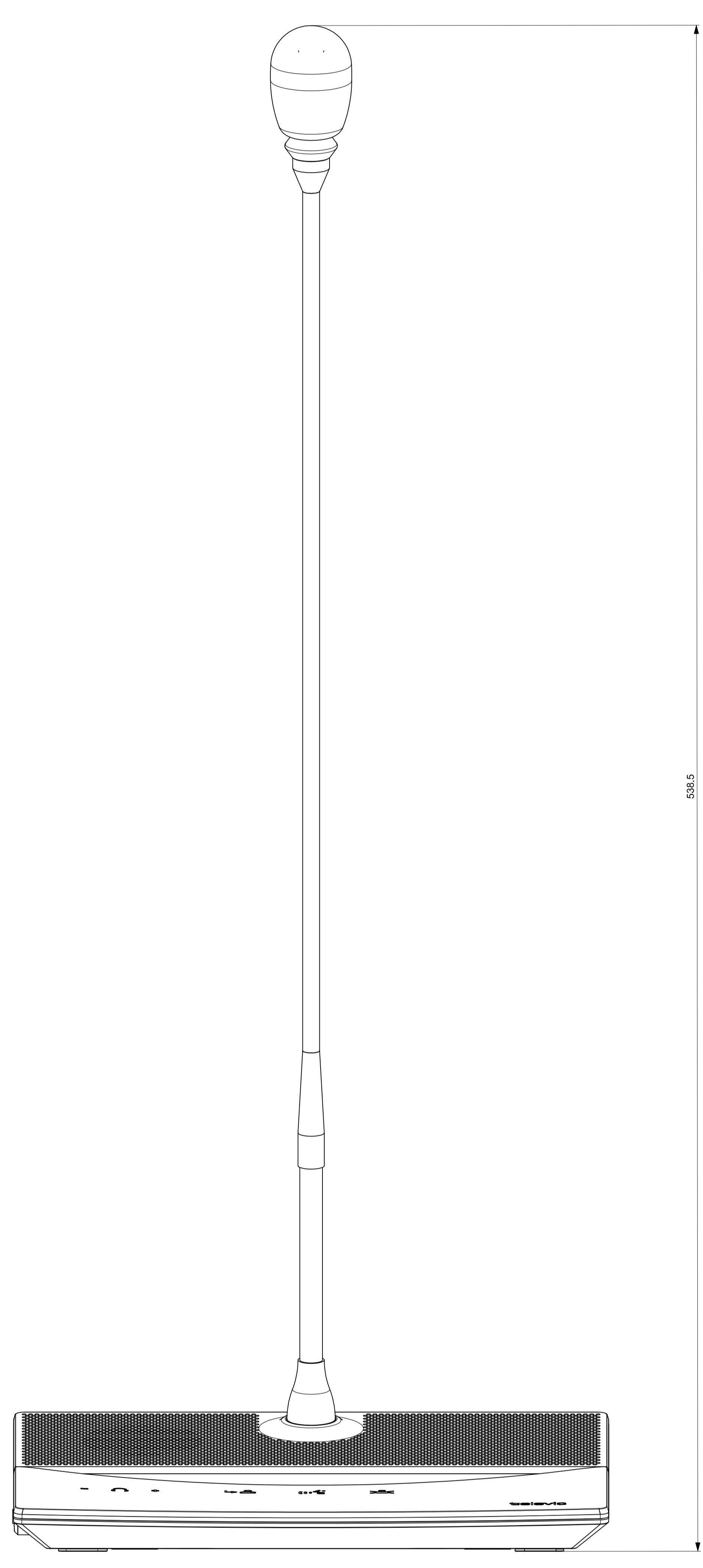
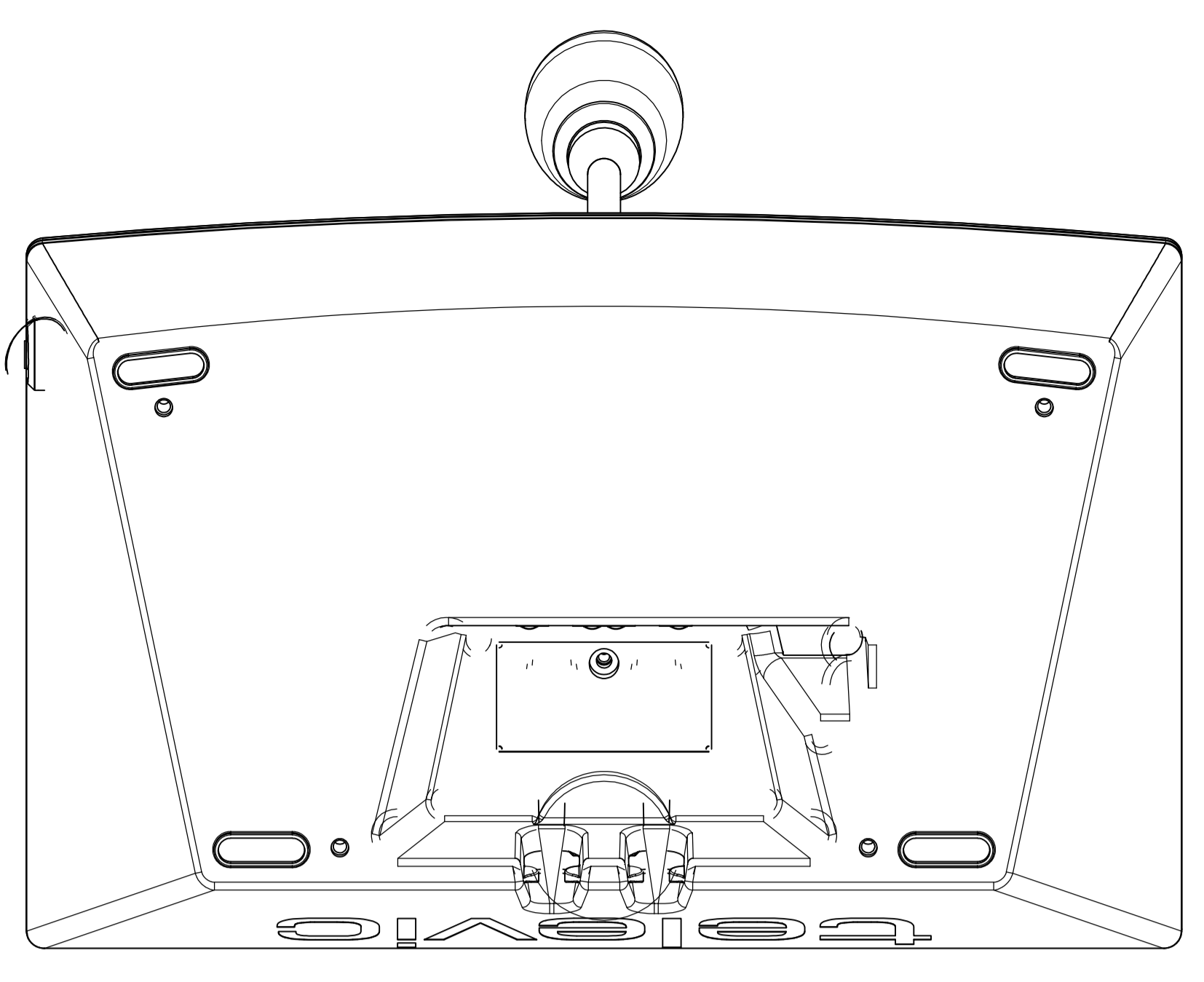


Remarks
 Material: PC / ABS
 BLACK
 Dimensions: 210x135x50mm
 Mic length: 500mm
 Price applied to the specified quantity.



Revision	E/Rev	Remarks - description	Drawn	Name
Linear tolerances	Surface roughness	Shape and positioning tolerances	Serial tolerances	Finishing
ISO 2768-mS	ISO 1382	ISO 1101 / ISO 2768 - M	ISO 2768-mS	see remarks
Drawing name	D-cerno CL			PC/ABS
Drawn by	Name	Date	Drawing number	Sheet
Approved by	SKL	2020/03/01	71.98.0304_M07_2D_0.01	1 of 1
Scale	1:1	Format	ADV	



All rights reserved. No part of this concept may be reproduced in any form or by any means without the prior written permission of televic.