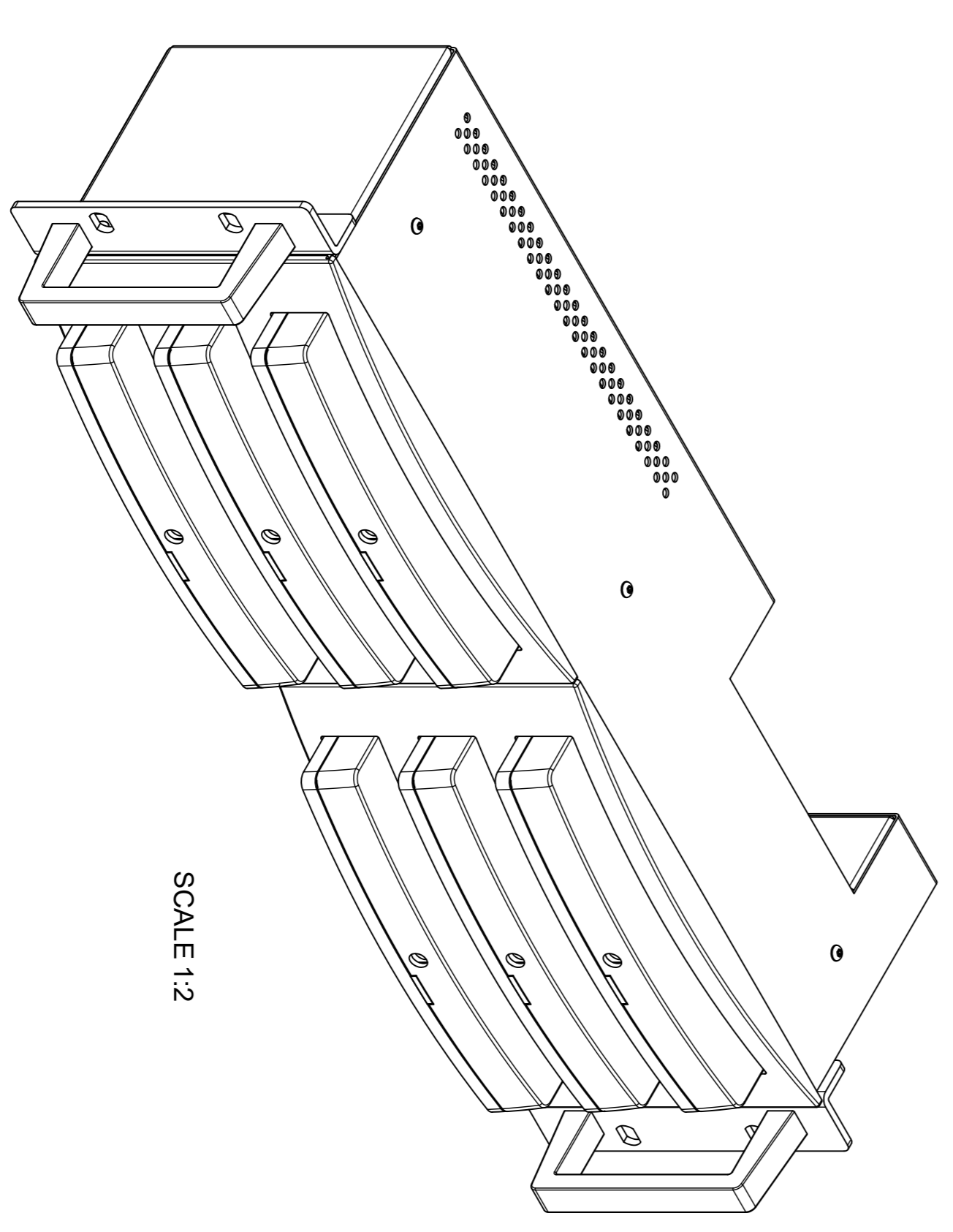
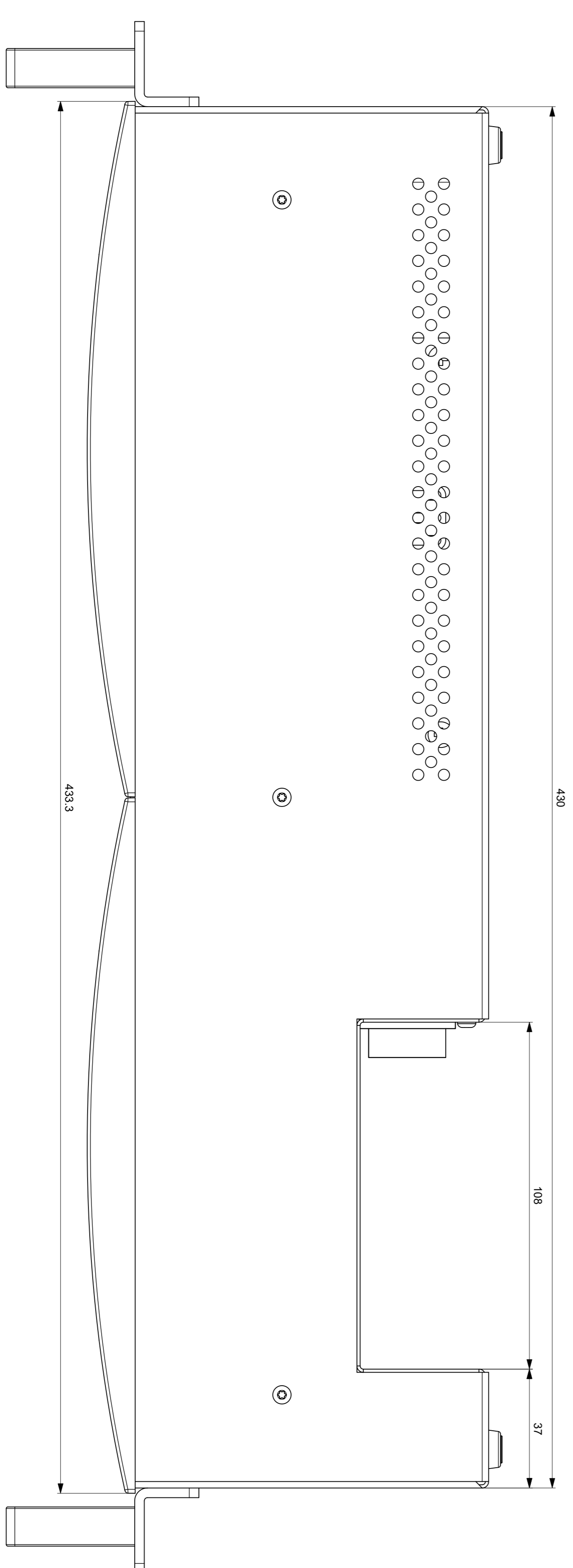
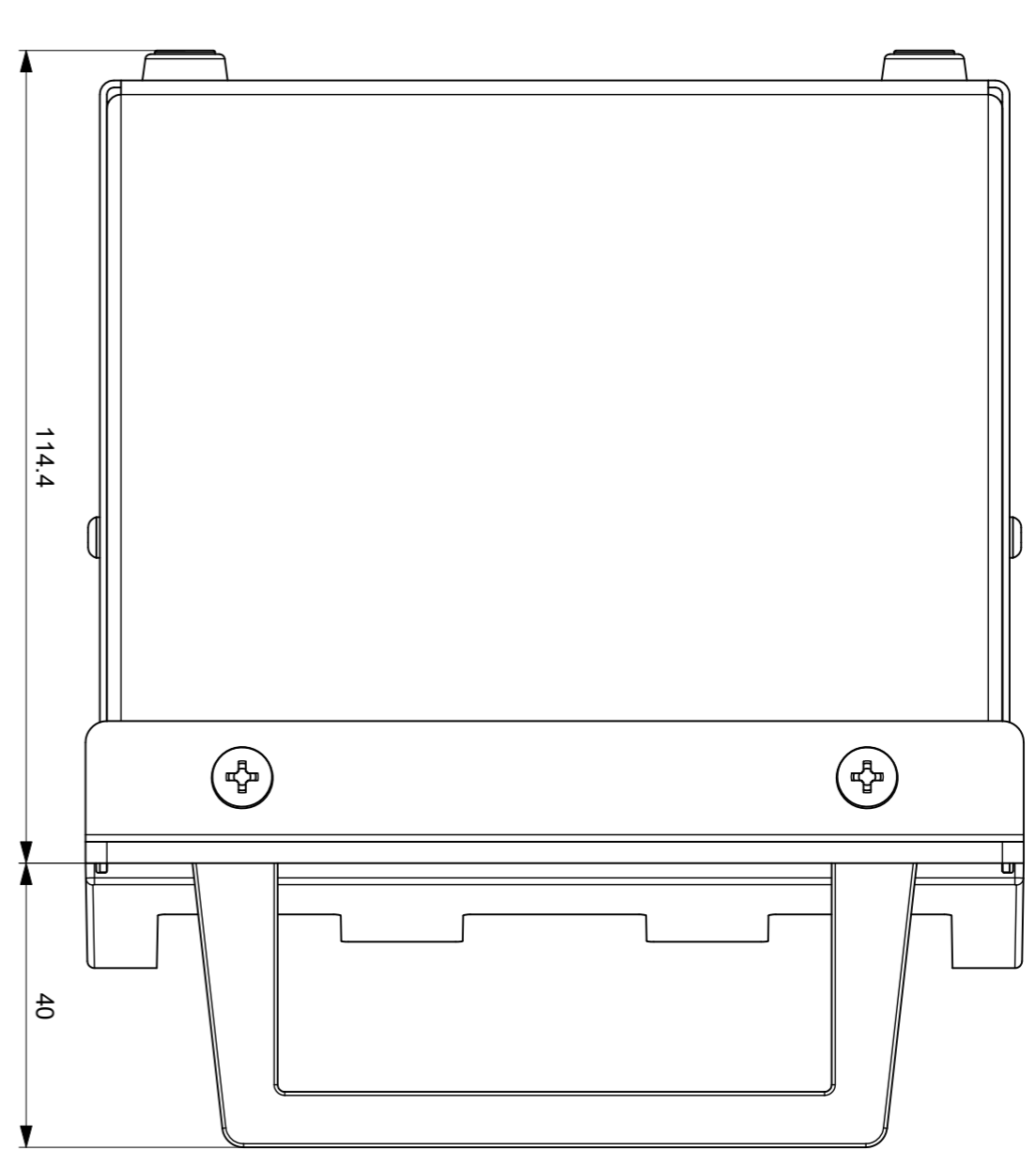
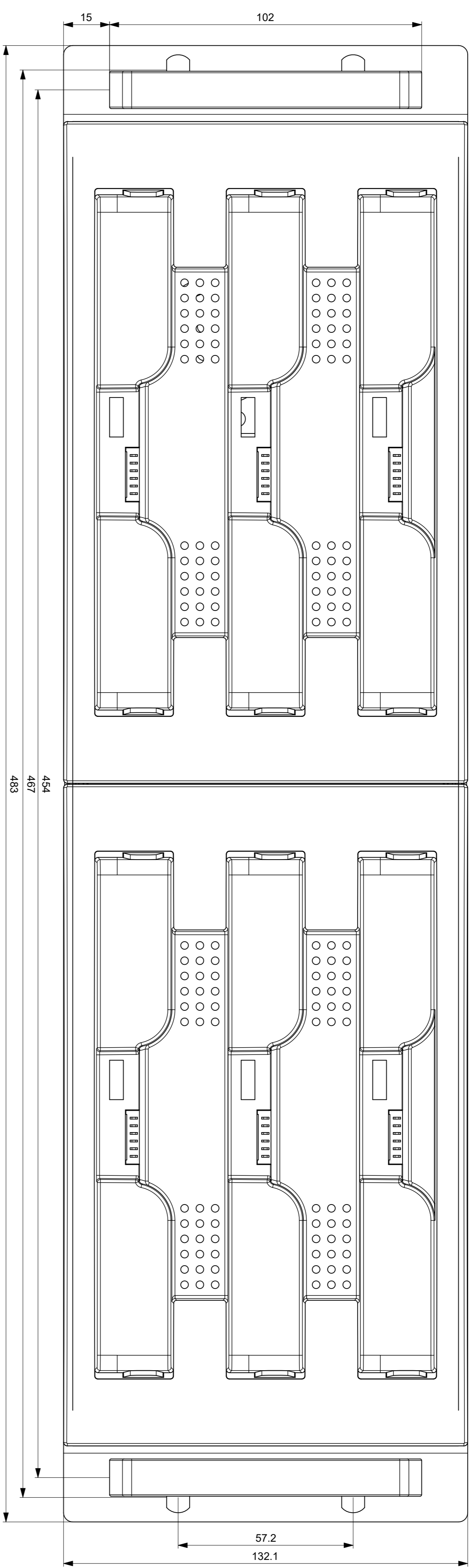


Remarks

- material : steel 1mm
- chassis : steel 1mm
- mounting plate : hot dip galvanised steel 1mm
- battery holder : PC/ABS
- handles : aluminum black anodized

finishing :

- webpainted RAL9011 middle structured



Drawing number		Sheet	
Name	Date	Scale	Format
RV	20/09/12	1:1	A1
RV	20/09/12	1:1	A1

Drawing number		Sheet	
Name	Date	Scale	Format
RV	20/09/12	1:1	A1
RV	20/09/12	1:1	A1

ISO 2768-mS	ISO 2768-mS	ISO 2768-mS	ISO 2768-mS
0.33	0.33	0.33	0.33
0.32	0.32	0.32	0.32
0.11	0.11	0.11	0.11

ISO 2768-mS	ISO 2768-mS	ISO 2768-mS	ISO 2768-mS
0.33	0.33	0.33	0.33
0.32	0.32	0.32	0.32
0.11	0.11	0.11	0.11

Drawing number		Sheet	
Name	Date	Scale	Format
RV	20/09/12	1:1	A1
RV	20/09/12	1:1	A1

ISO 2768-mS	ISO 2768-mS	ISO 2768-mS	ISO 2768-mS
0.33	0.33	0.33	0.33
0.32	0.32	0.32	0.32
0.11	0.11	0.11	0.11

ISO 2768-mS	ISO 2768-mS	ISO 2768-mS	ISO 2768-mS
0.33	0.33	0.33	0.33
0.32	0.32	0.32	0.32
0.11	0.11	0.11	0.11

CONFIDEA CHT

At sight, without the need of this document, any
 remark by any means without the prior written permission of TALENTEC

