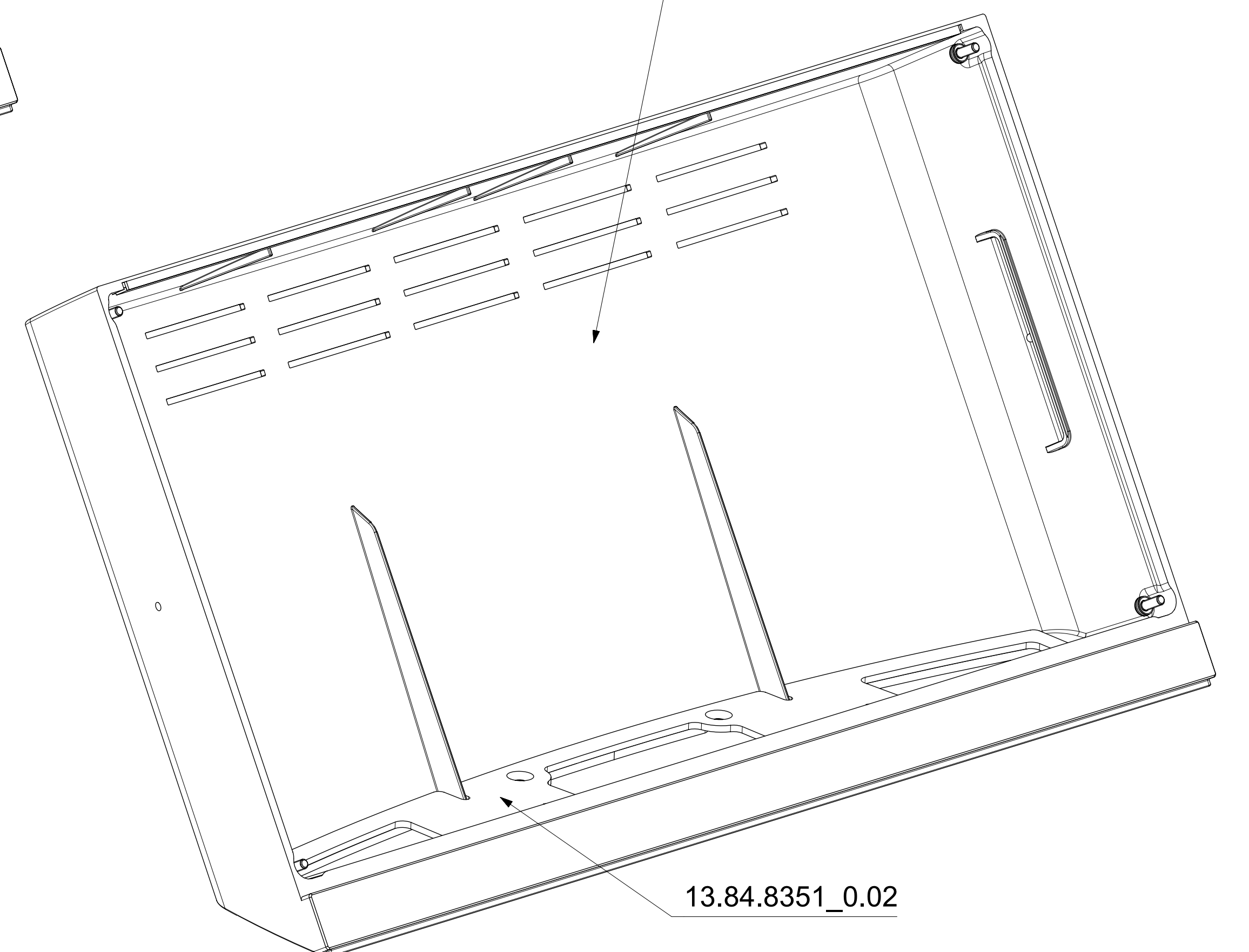
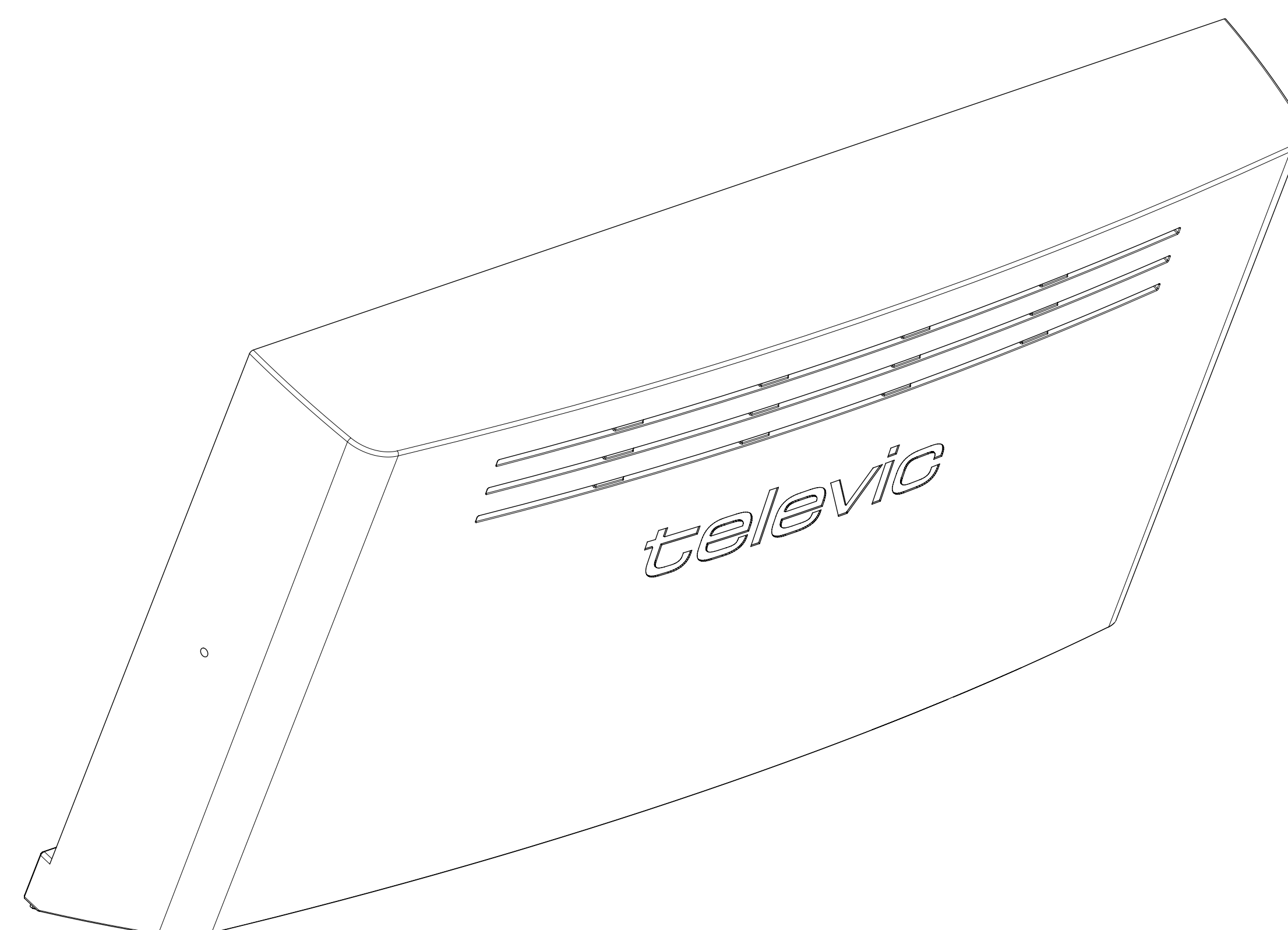
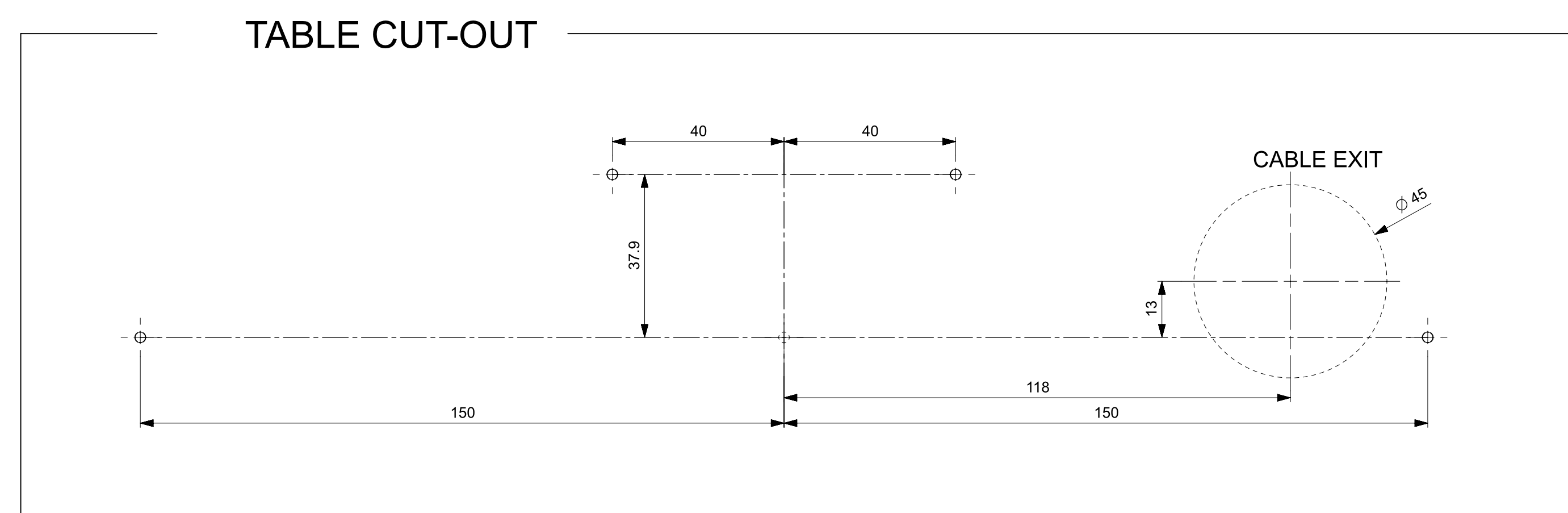


71.98.2001_0.05

13.16.8288_0.02



13.84.8351_0.02



Original drawing		14/01/13		L. Lotti	
Drawn by	Scale	Revision	Remarks - description	Date	Name
ISO 2768-mS	ISO 1302	ISO 1101 / ISO 2768 - K	ISO 2768-mS		
Linear tolerances	Surface roughness	Shape and position tolerances	Hard tolerances	Finishing	See separate parts
Drawing name					
uniCOS 10" + Bracket 10" PC/ABS PLIXUS MM FM					
Name	Date	Drawing number	Sheet	1 of 1	
Drawn by	Scale	71.98.2013_M07_2D_0.01	Scale	1:1	
Approved by	Unit	mm - mm	Format	A0	
			All rights reserved. No parts of this concept may be reproduced in any form or by any means without the prior written permission of televic.		