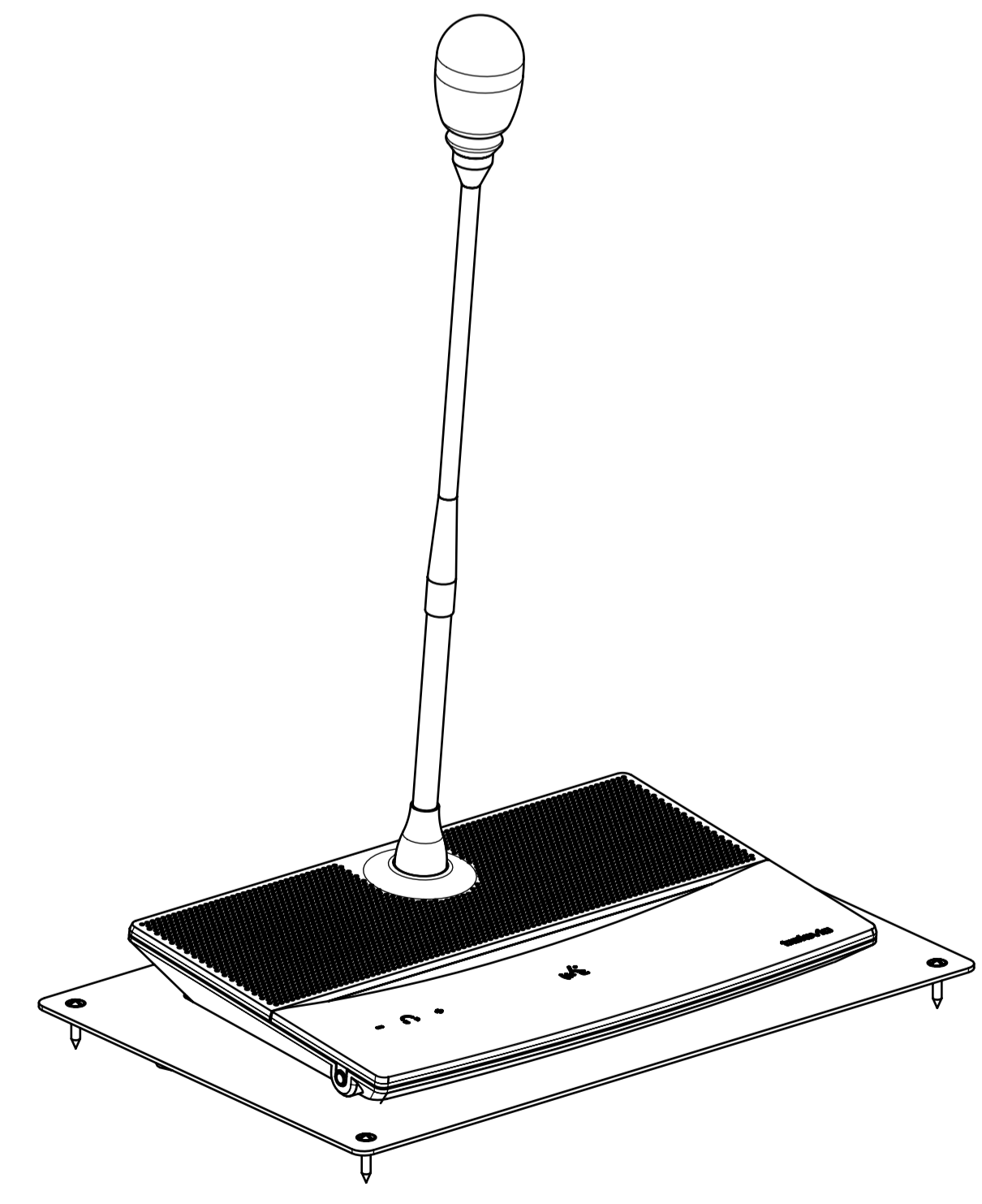
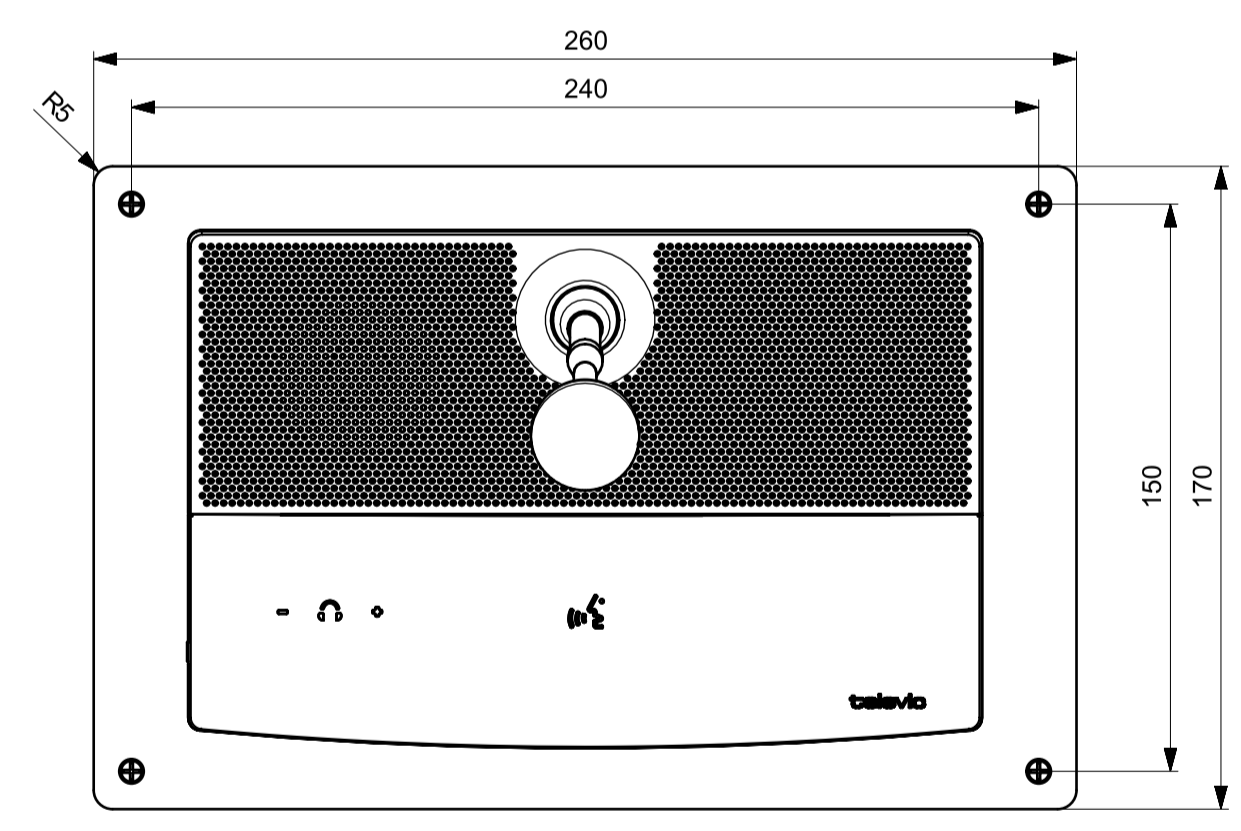
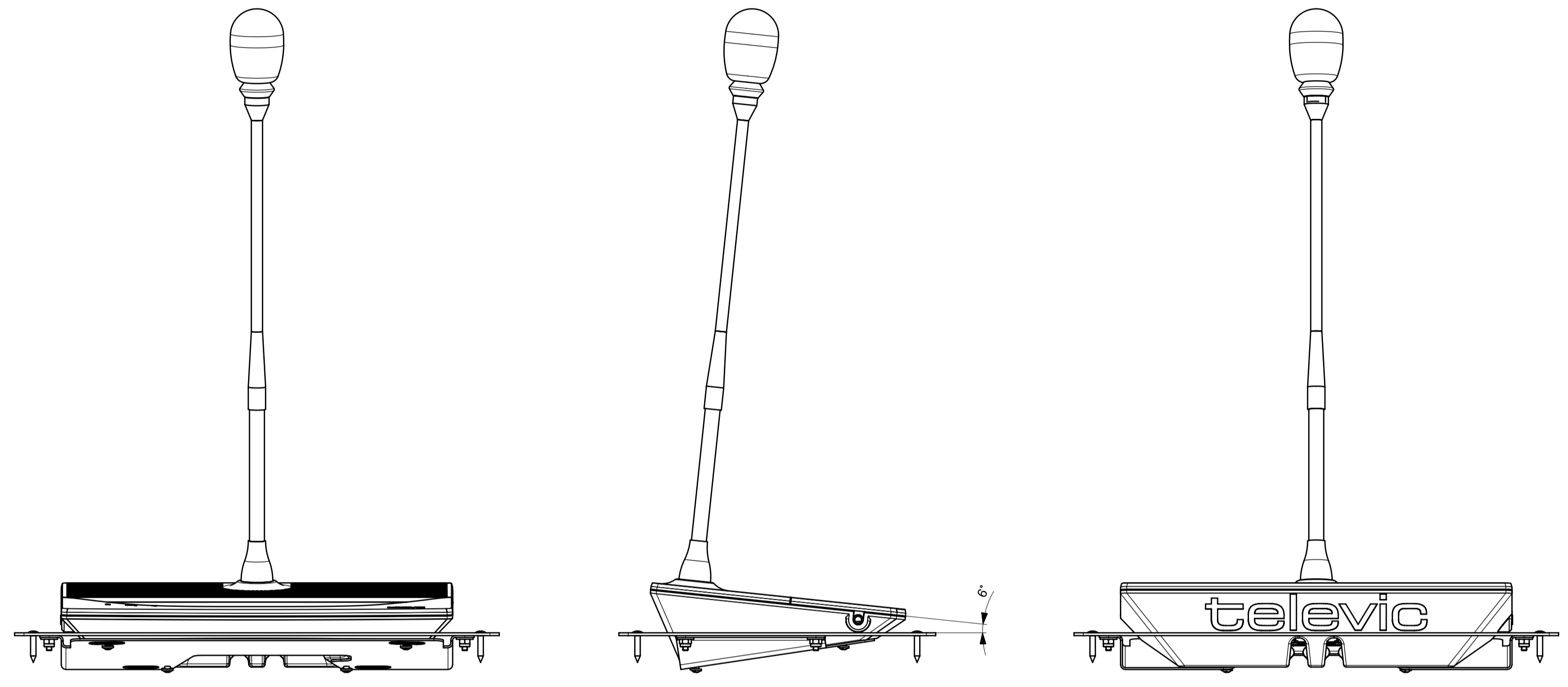
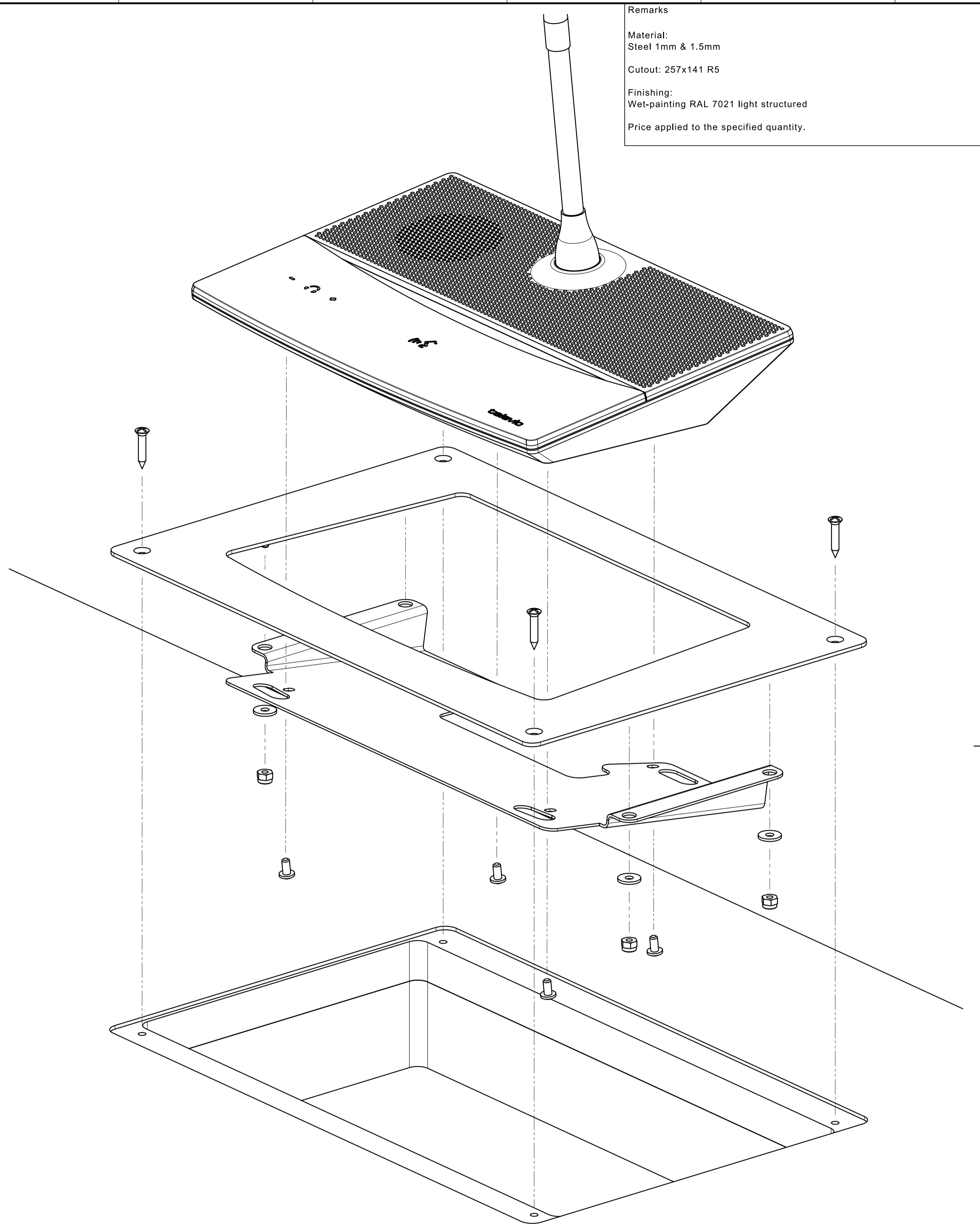


Remarks  
 Material:  
 Steel 1mm & 1.5mm  
 Cutout: 257x141 R5  
 Finishing:  
 Wet-painting RAL 7021 light structured  
 Price applied to the specified quantity.



SCALE 1:2



Revision	ECN-nr	Remarks - description	Date	Name
Linear tolerances	Surface roughness	Shape and positioning tolerances	Bend tolerances	Finishing
ISO 2768-middle	ISO 1302	ISO 1101 / ISO 2786 - K	ISO 2768-middle	see remarks
Drawing name				Material
<b>D-CERNO mounting bracket</b>				S235JR Materialnr. 1.0037 EN 10025
Drawn by	Name	Date	Drawing number	Sheet
TVS	TVS	09/03/2016	71.98.0305_assy_M07_2D_0.01	1 of 1
Approved by	APPROVE	DATE_APPROV	Scale	1 : 1
	DATE_APPROV	BY	Format	A1
				All rights reserved. No parts of this concept may be reproduced in any form or by any means without the prior written permission of Televic.