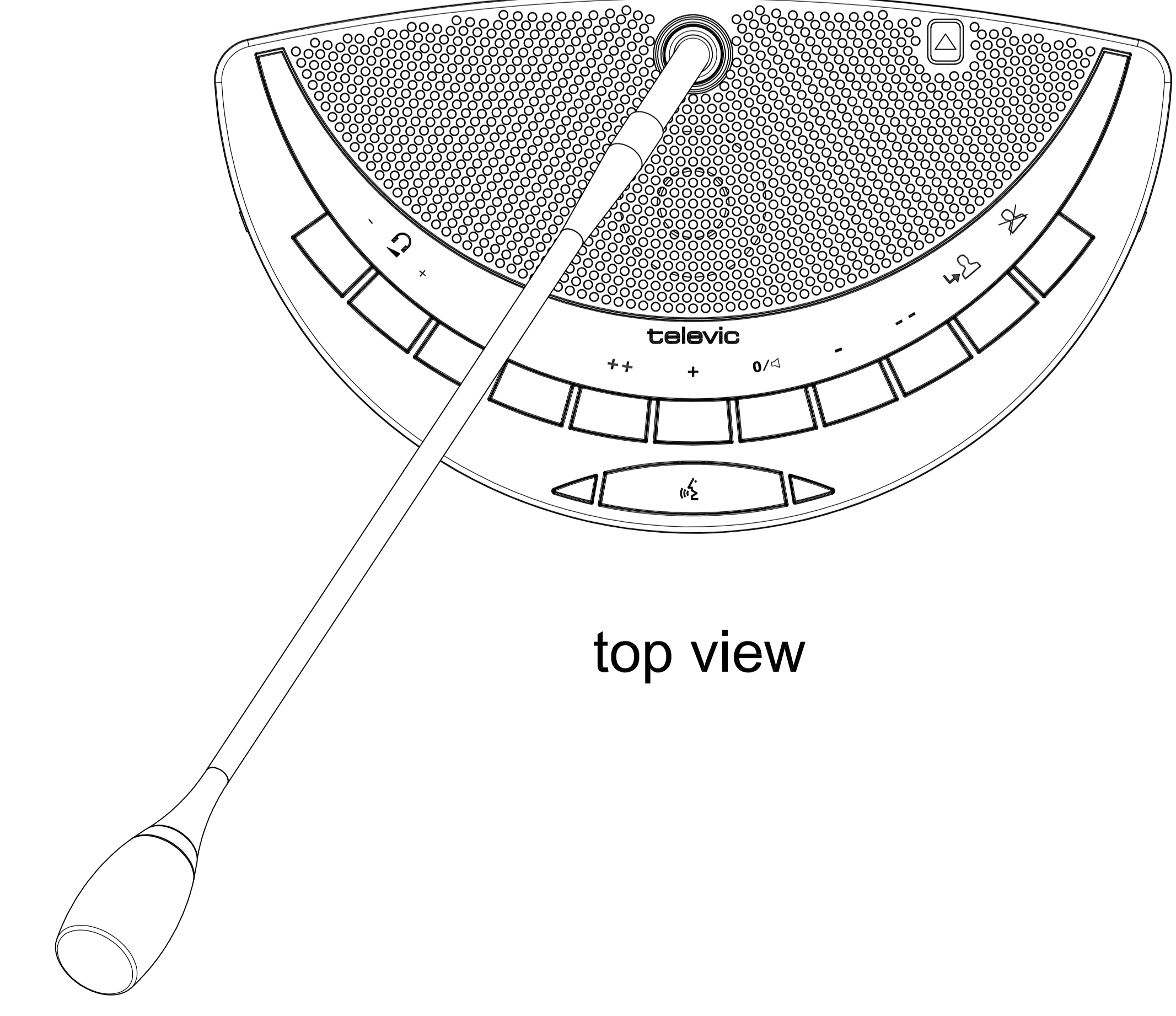
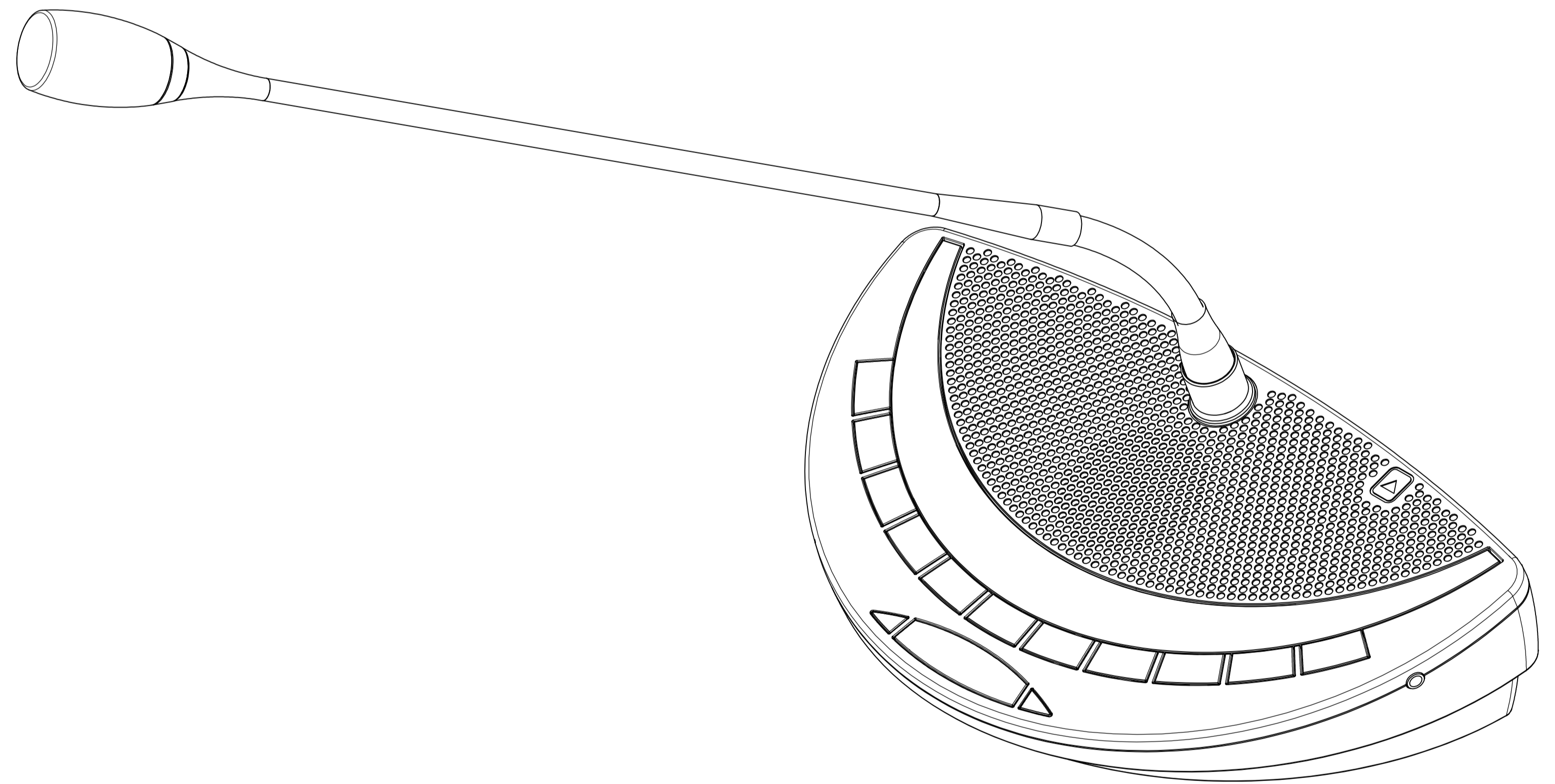
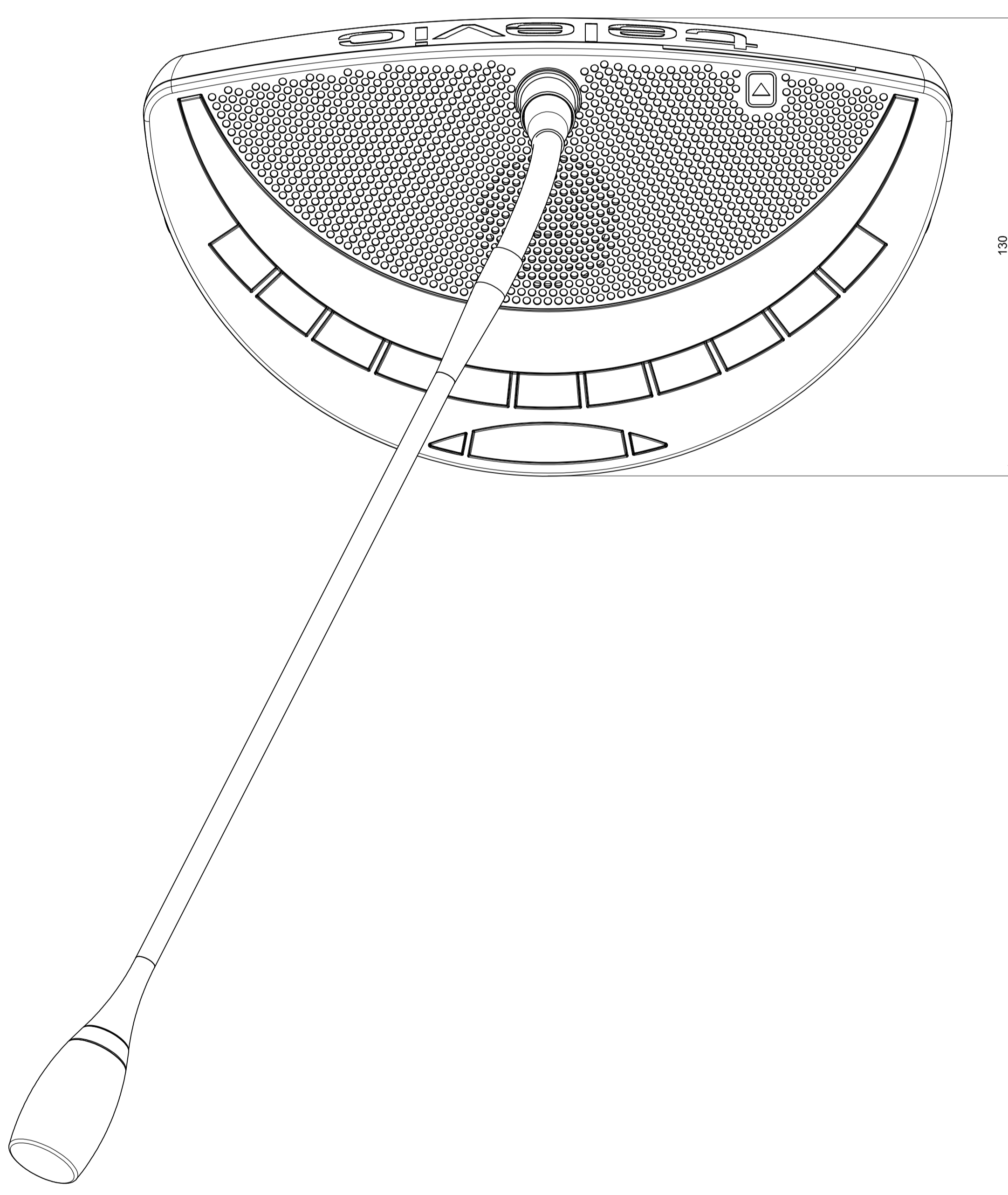
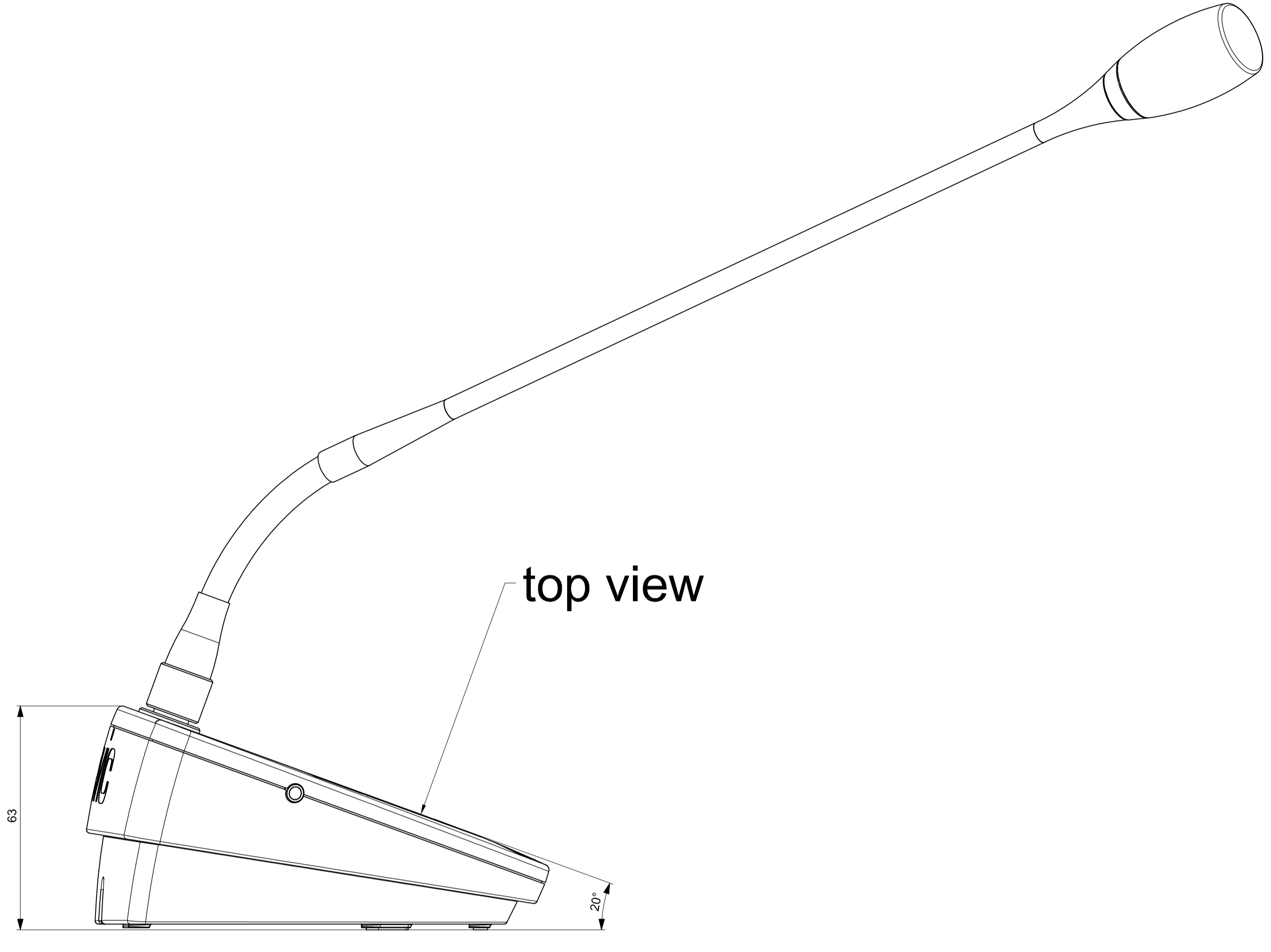
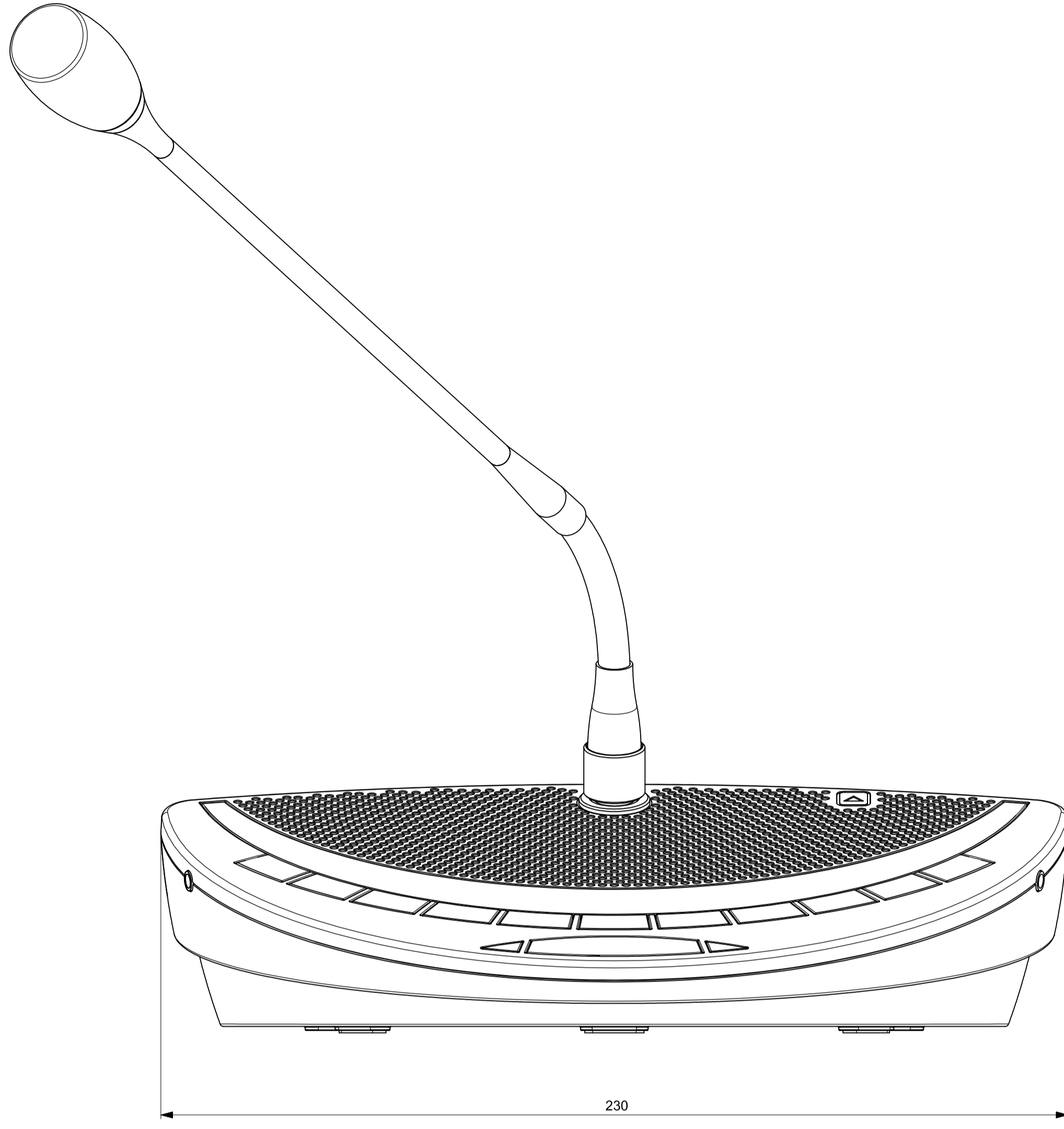


Remarks
 Material: PC/ABS
 BLACK
 Dimensions: 230 x 130 x 63 mm
 Price applied to the specified quantity.



top view

Revision	EC/Rev	Remarks - description	Drawn	Name
Linear tolerances	Surface roughness	Shape and positioning tolerances	Geometric tolerances	Finishing
ISO 2768-mS-kM	ISO 1302	ISO 1101 / ISO 2768 - M	ISO 2768-mS-kM	see remarks
Drawing name	Confidea T-CIV			Material
Drawn by	Name	Date	Drawing number	Sheet
Approved by	ADK	2016-03-01	71.98.0118_M07_2D_0.01	1 of 1
Scale	1:1	Format	ADV	



All rights reserved. No part of this concept may be reproduced in any form or by any means without the prior written permission of televic.