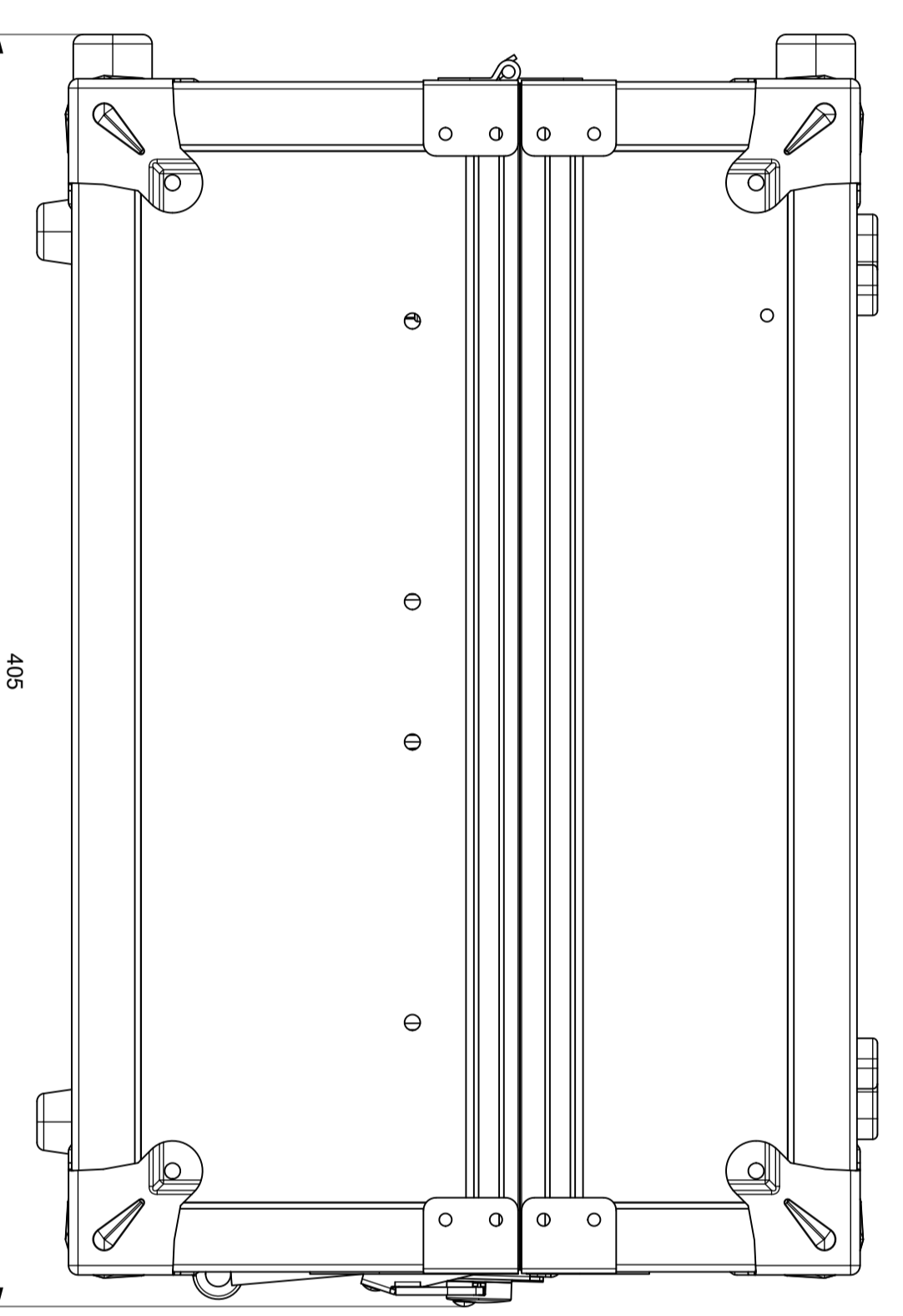
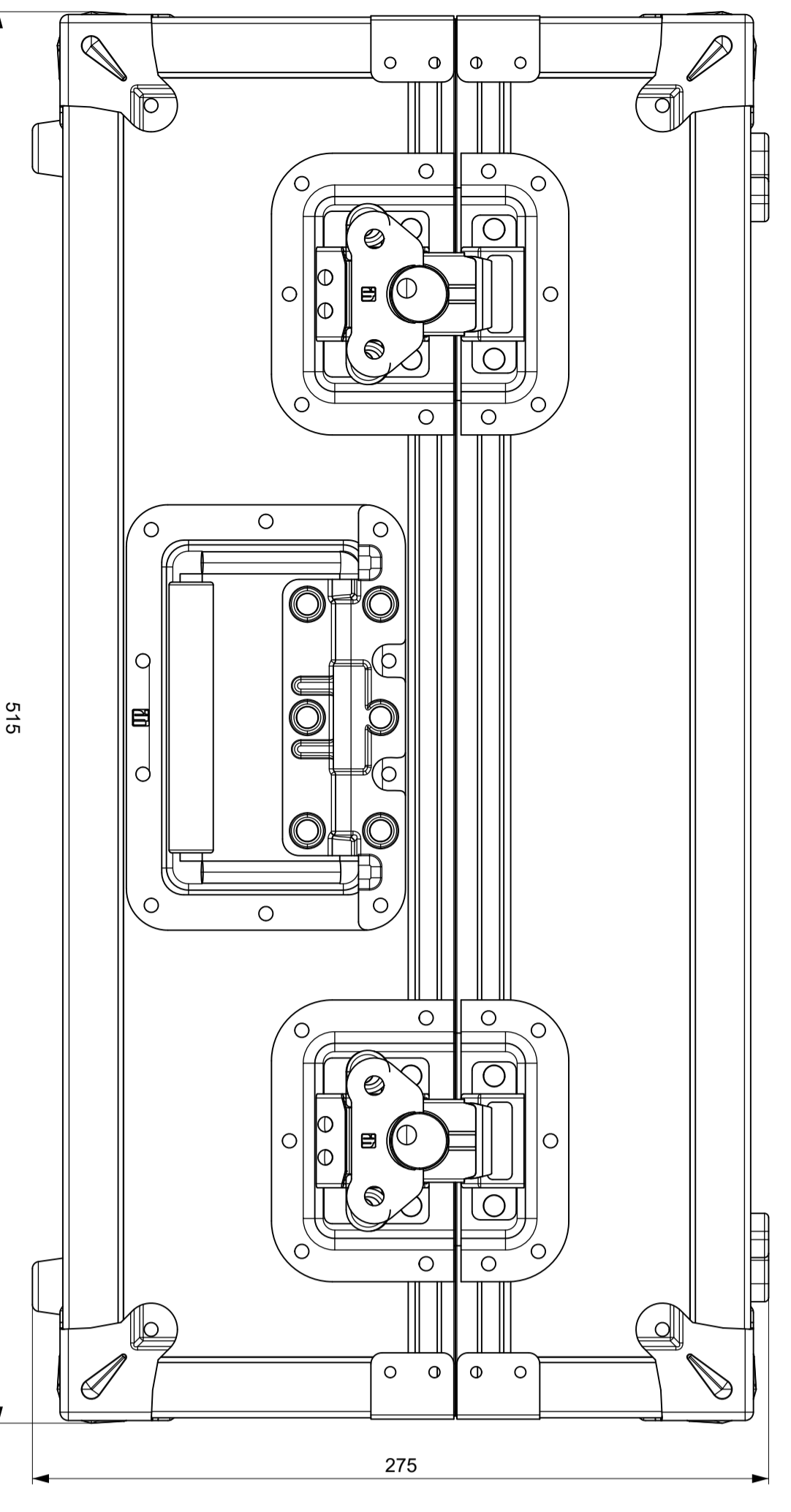
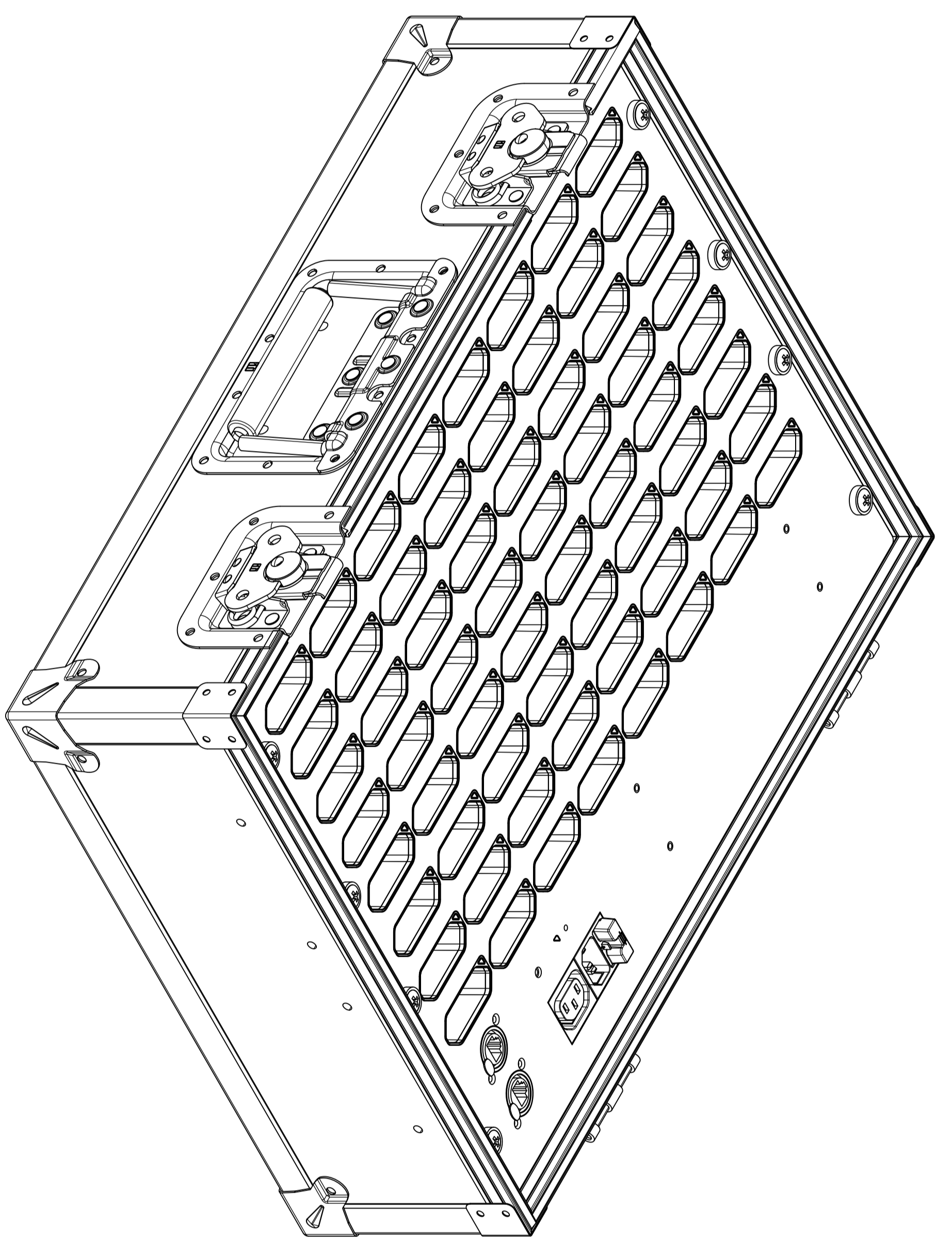
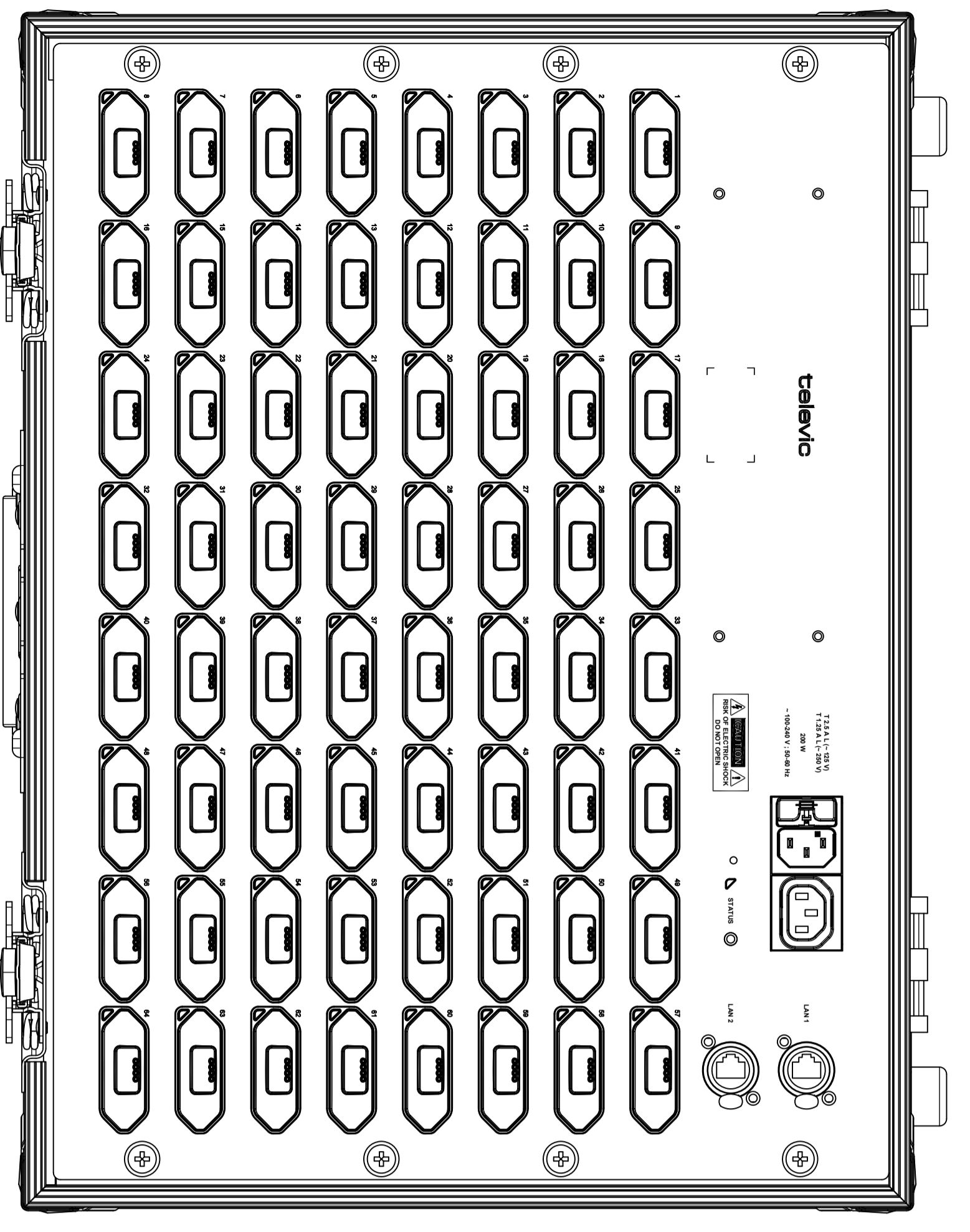
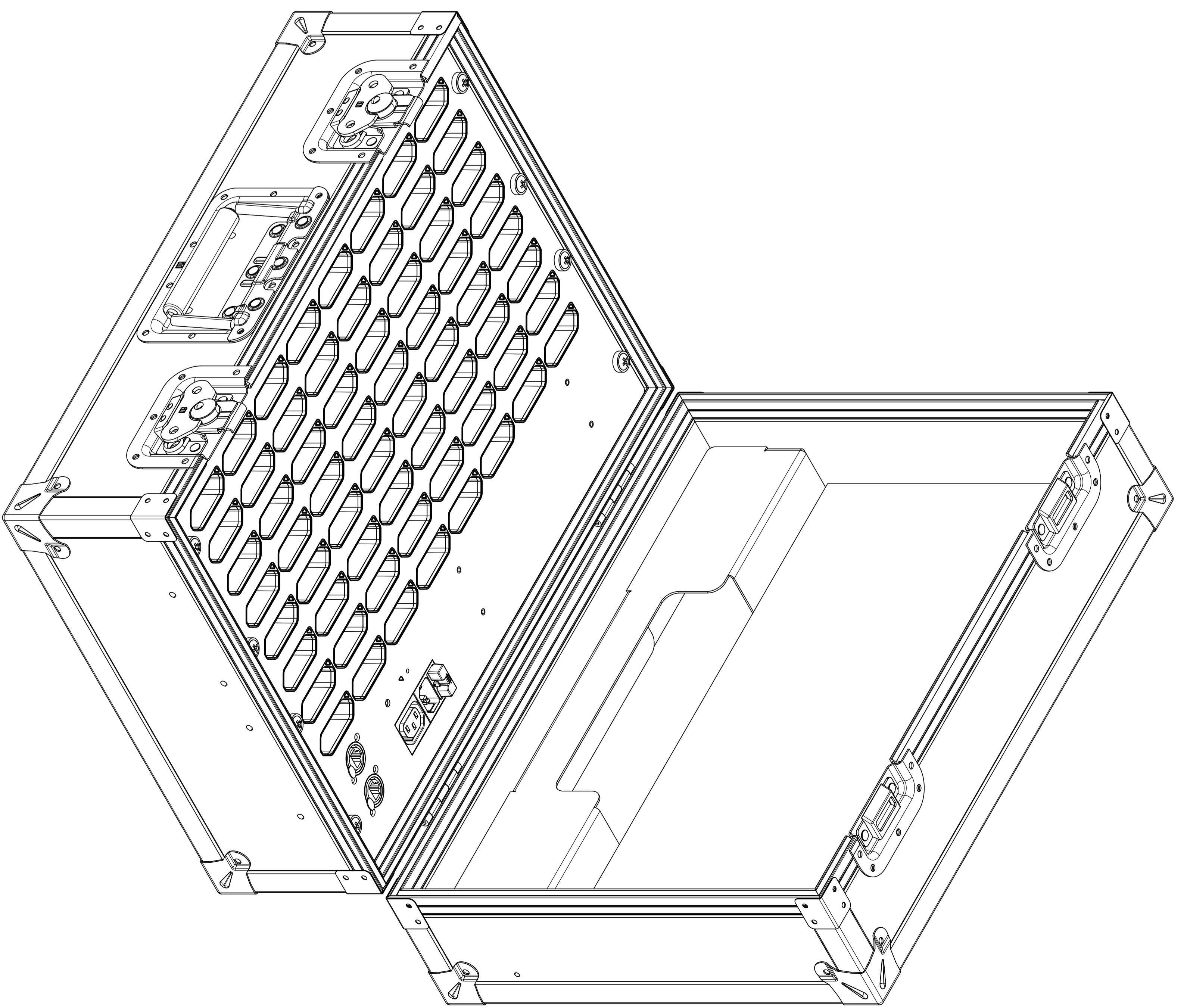
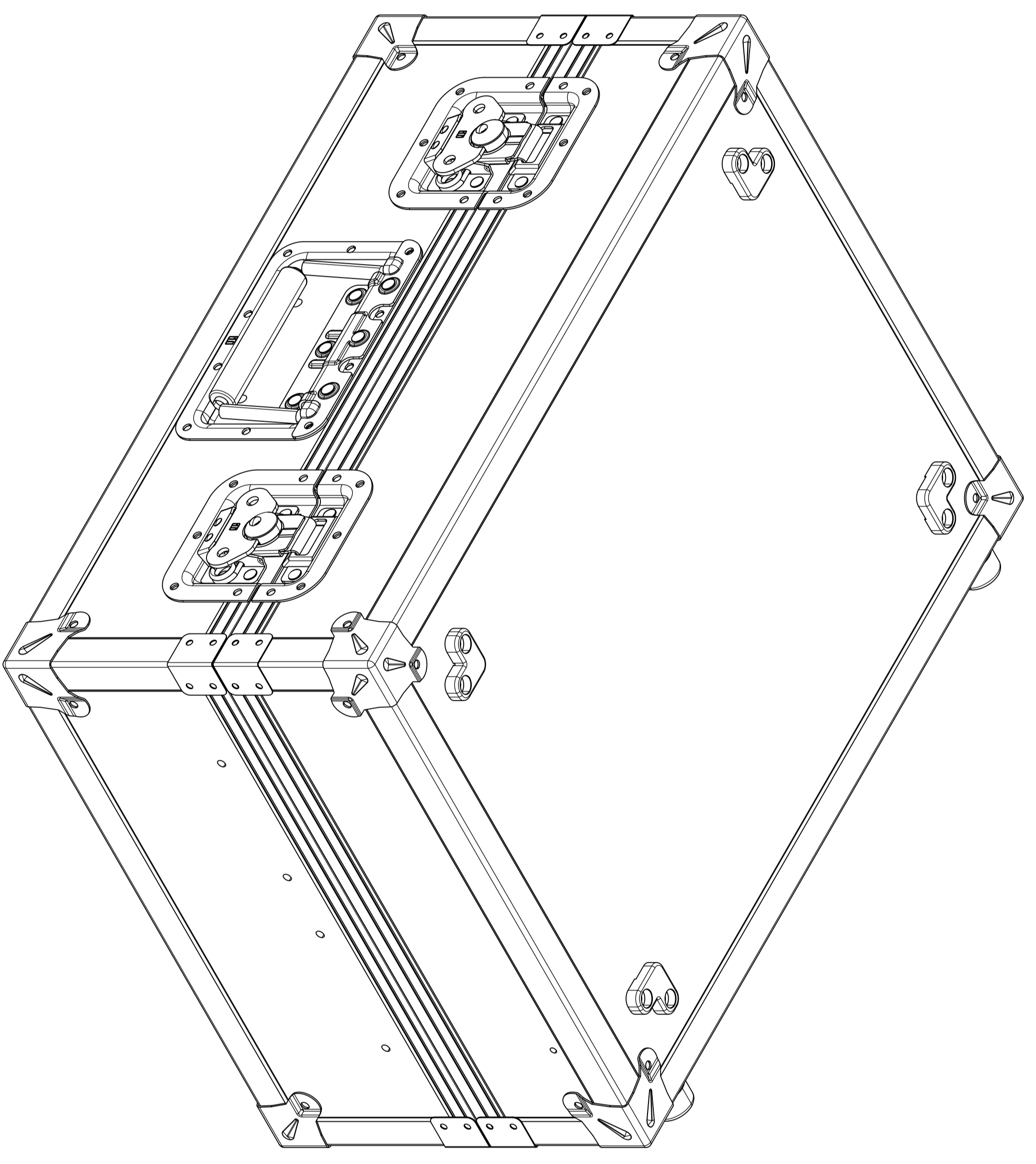
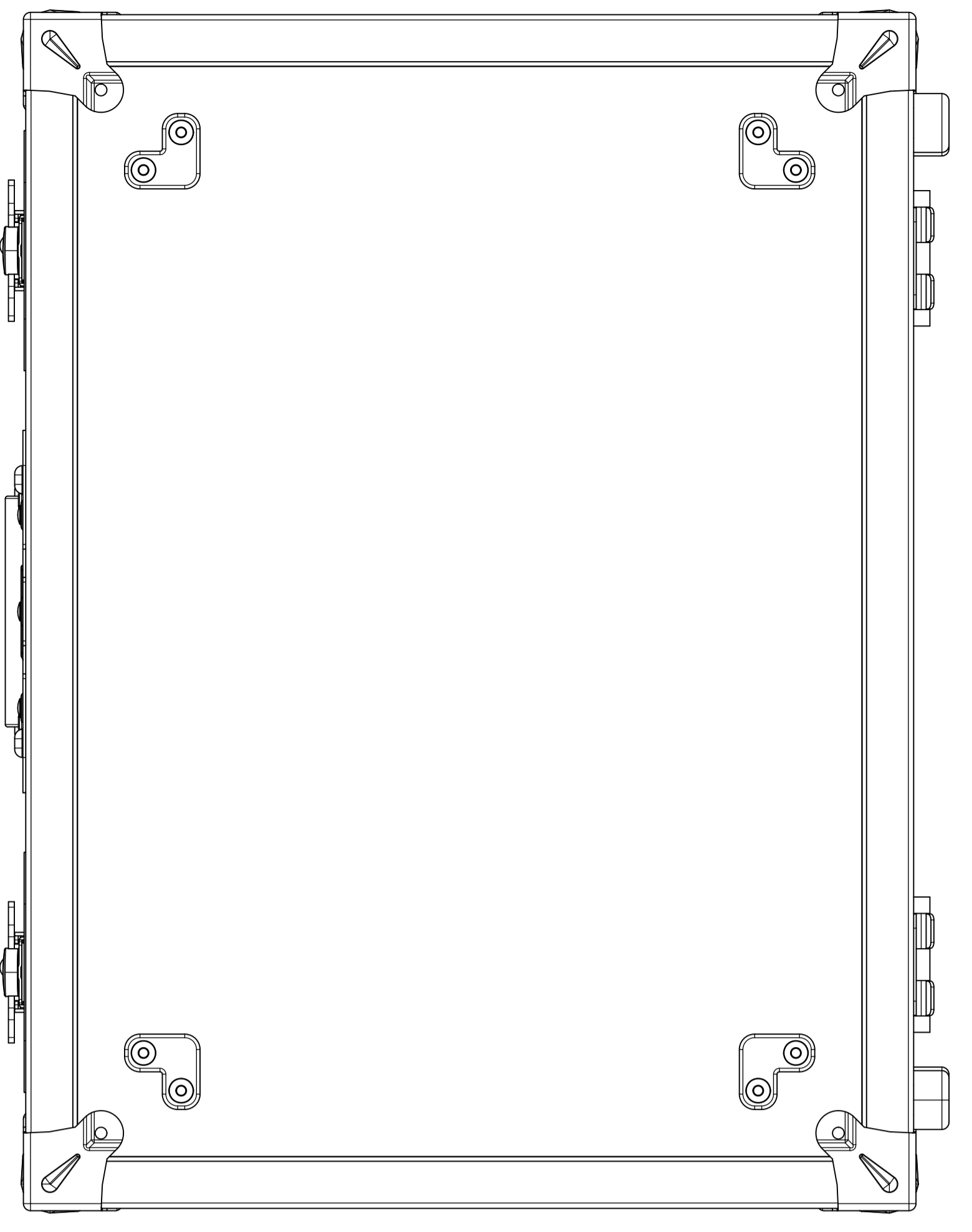


16 15 14 13 12 11 10 9 8 7 6 5 4 3 2 1



- front chassis
- material: steel frame / form
- assembly: powder coated PA.6.6/PA.6.11 light stabilised
- screwing: PA.6.6/PA.6.11
- handle:
 - * PU/ABS, PC
- case:
 - * phenolic plywood
 - * aluminium profiles, steel corners and locking
 - * cable storage: aluminium



Model	CHC1	Material	aluminum	Color	black
Weight	12,5 kg	Dimensions (W x H x D)	485 x 515 x 405 mm	Volume	100,8 dm³
Capacity	30 slots	Accessories	locking mechanism	locking mechanism	locking mechanism
Manufacturer	Caltelec	Contact	71 98 0235	Address	71 98 0235, MD7_2D_1.01
Year	2007	Country	Spain	Manufacturer's website	www.caltelec.com

Caltelec
CONTRUCCIONES

16 15 14 13 12 11 10 9 8 7 6 5 4 3 2 1