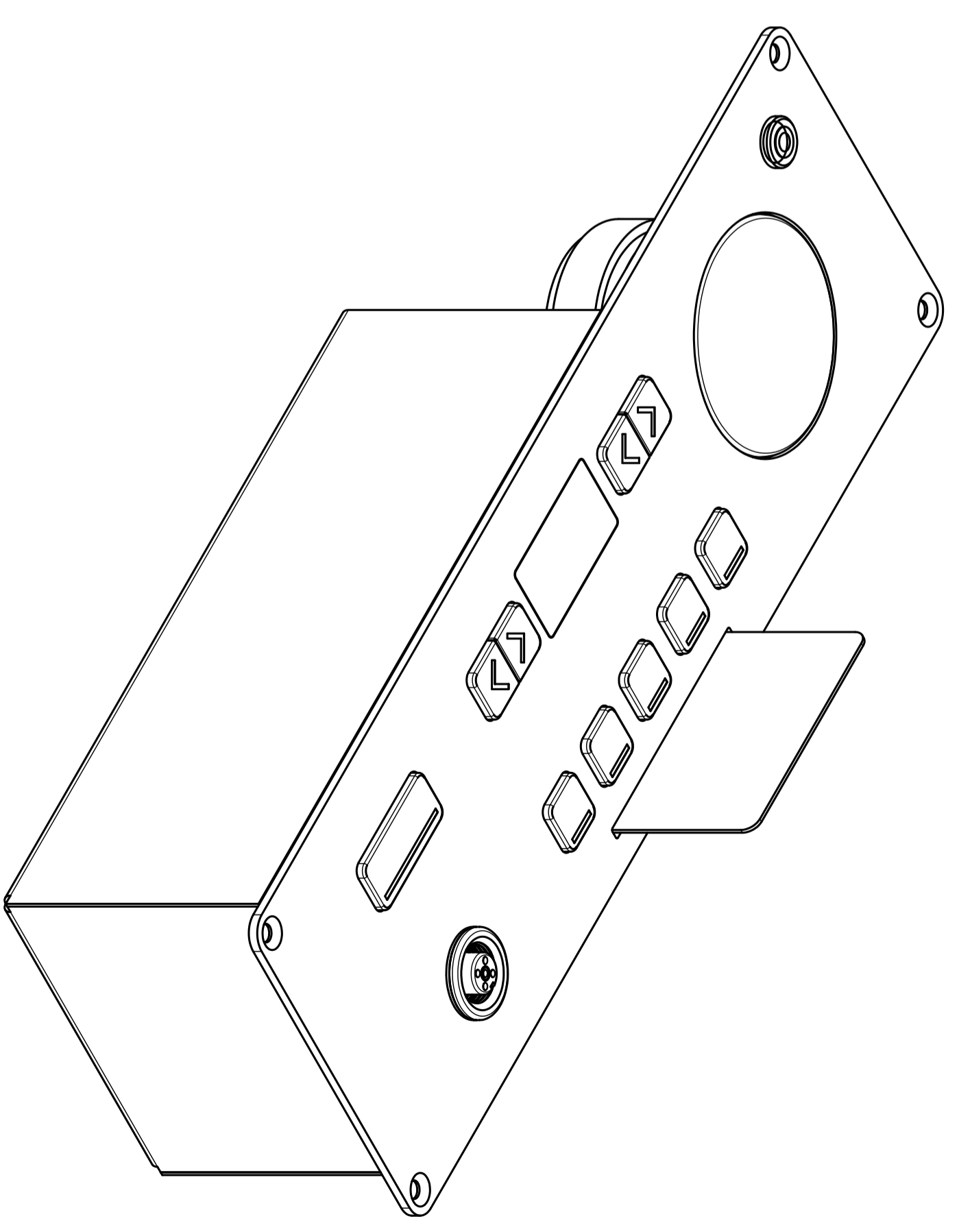
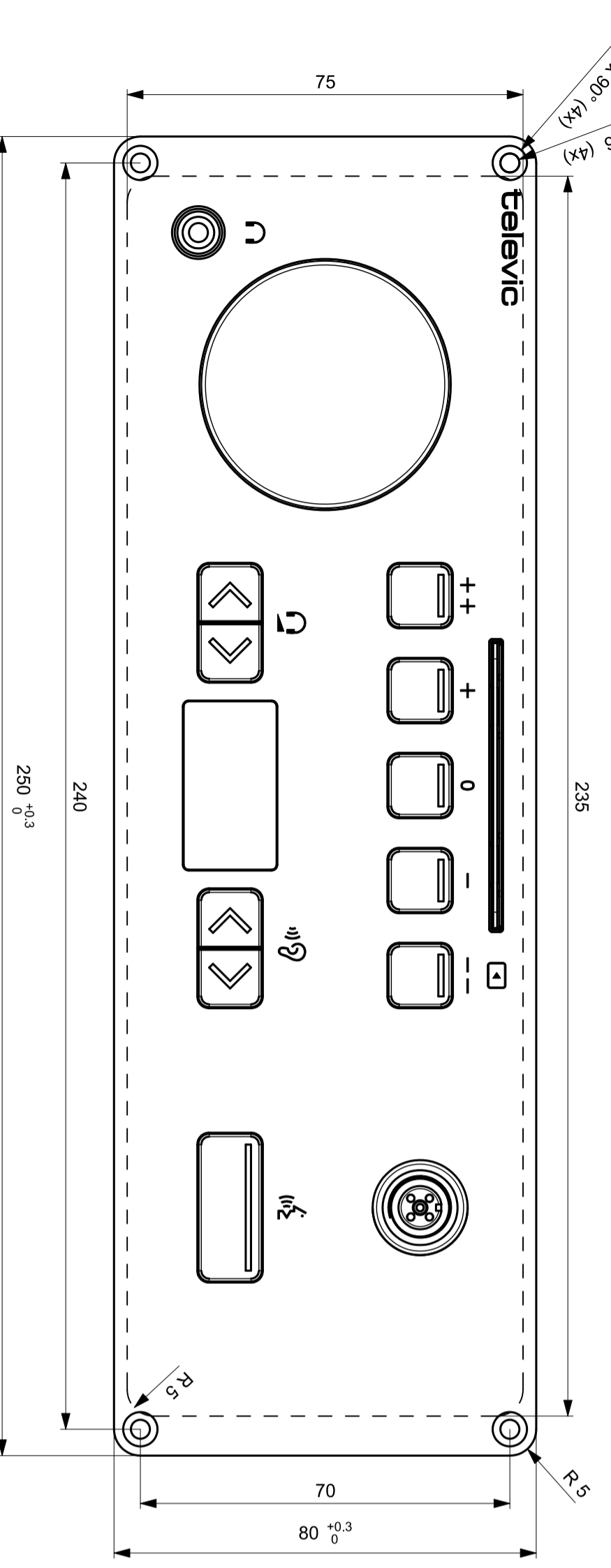


Remarks

- * material :
 - ffp: steel E=2mm
 - cover: hot dip galvanized steel E=0.75mm
- * painting : powder coating
- * Tiger coating Carbon 01 light structured 80µm (+30µm)
- * screening : Pantone 421C

General dimensions : 250 x 80mm R5
 Cutout dimensions: 235 x 75 mm R5
 Build in depth: 70mm

Price applied to the specified quantity.



1.03		Update profile	04/11/2019	L-slin
1.02		note for SLX connector changed	25/09/2015	SDL
1.01		finished drawing	21/05/2015	SDL
Revision	ECH-ur	Remarks - description	Date	Name
Linear tolerances	Surface roughness	Stroke and positioning tolerances	Band tolerances	
ISO 2798-middle	ISO 1302	ISO 1101 / ISO 2798 - K	ISO 2798-middle	
Drawing name		Fishing		
		see remarks		
		Material		
		see remarks		
CONFIDEA F-DIV				
see remarks				
Name	Date	Drawing number	Sheet	1 of 1
Drawn by L-slin	04/11/2019		Scale	1 : 1
Approved by O. BY	DATE_APPROV	71.98.0504_M07_2D_1.03	Format	A2
teleovic				
CONFERENCE				
All rights reserved. No parts of this concept may be reproduced in any form or by any means without the prior written permission of Teleovic.				