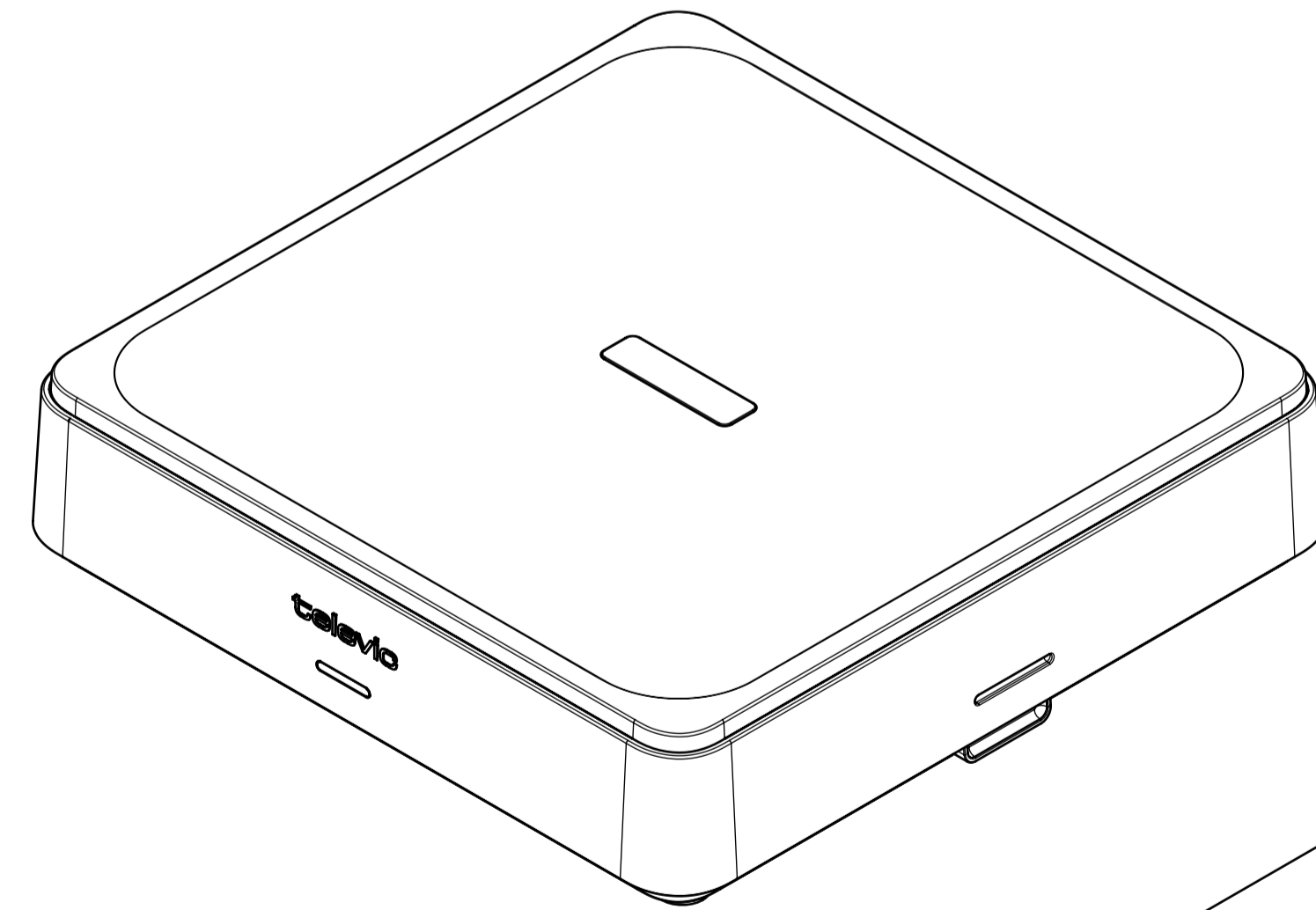
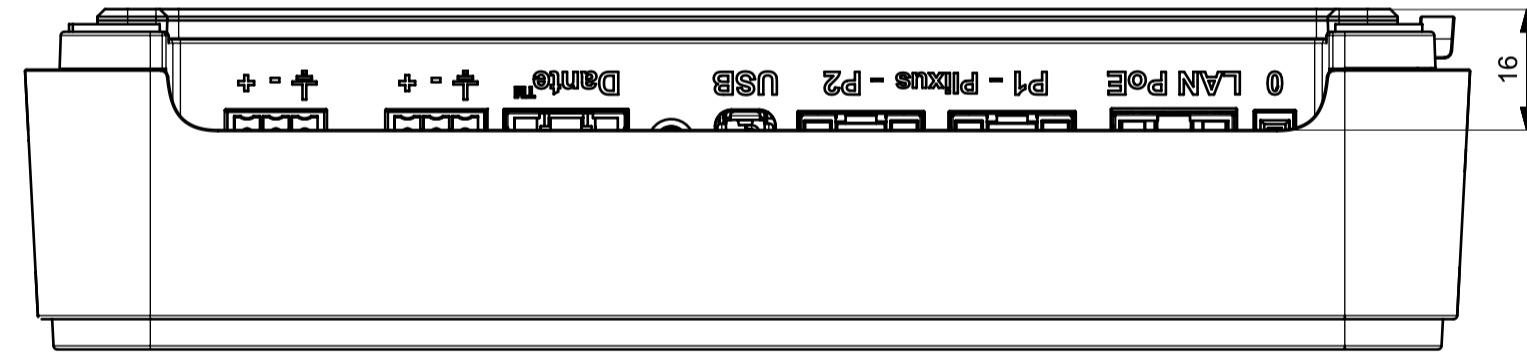
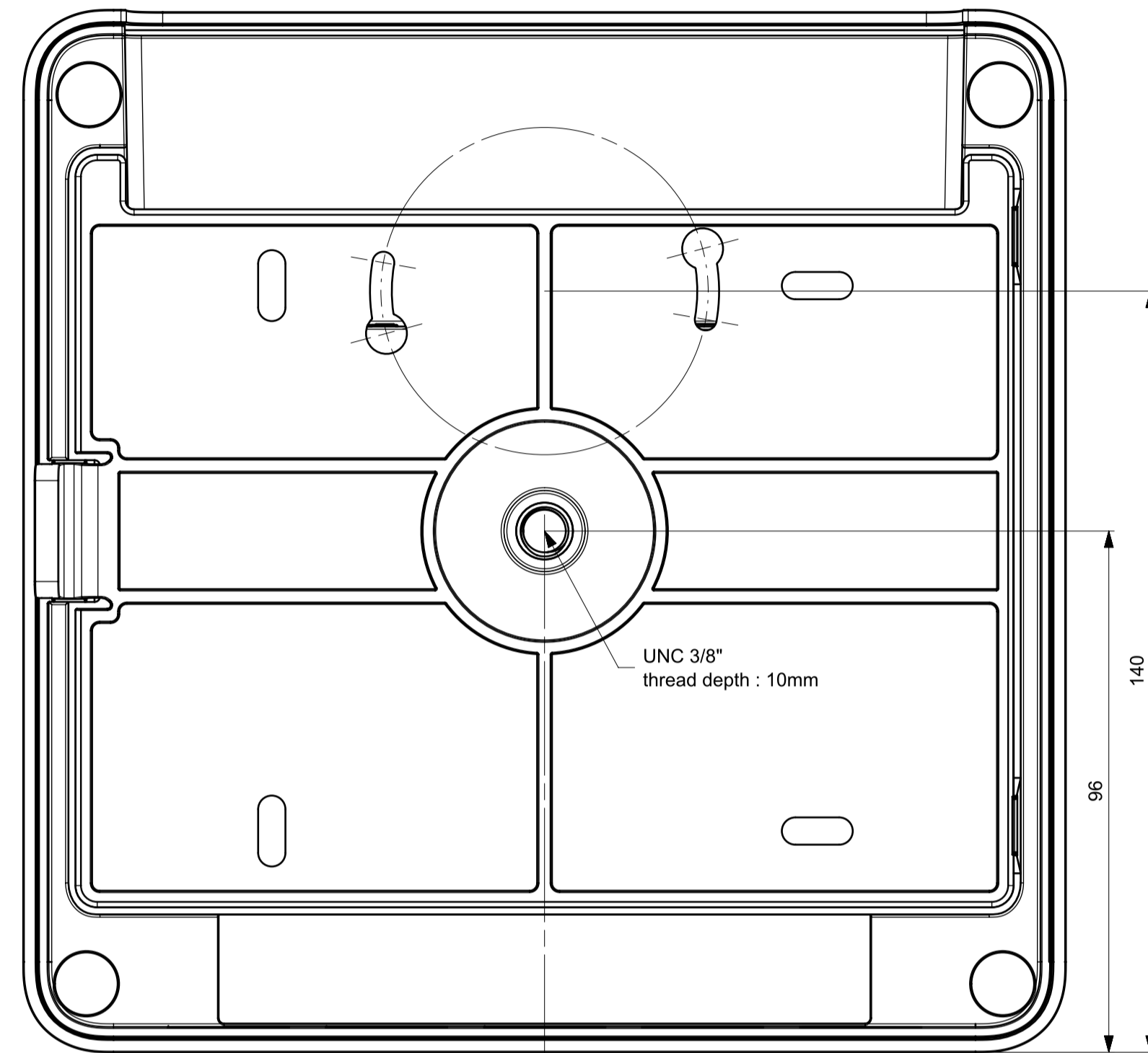
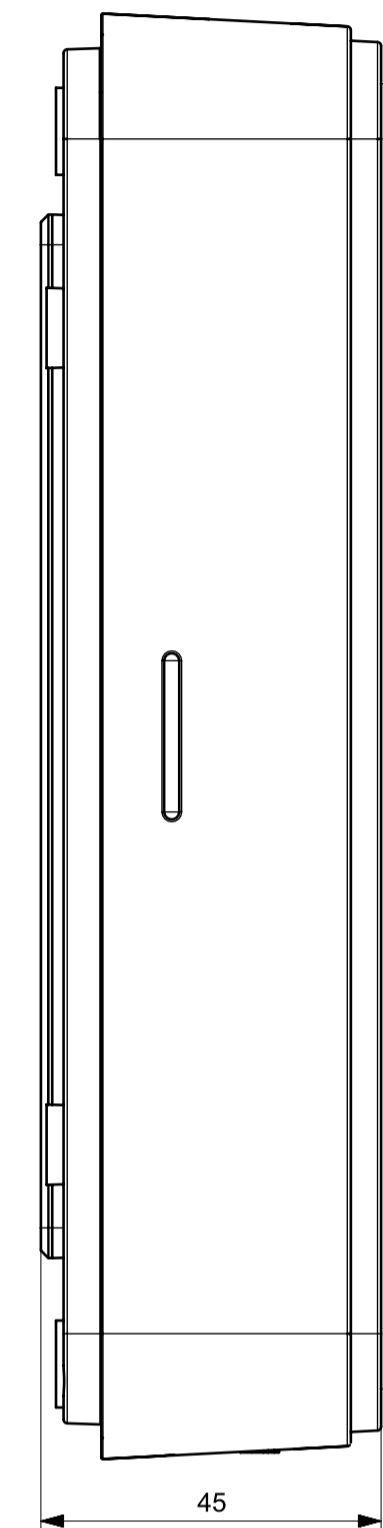
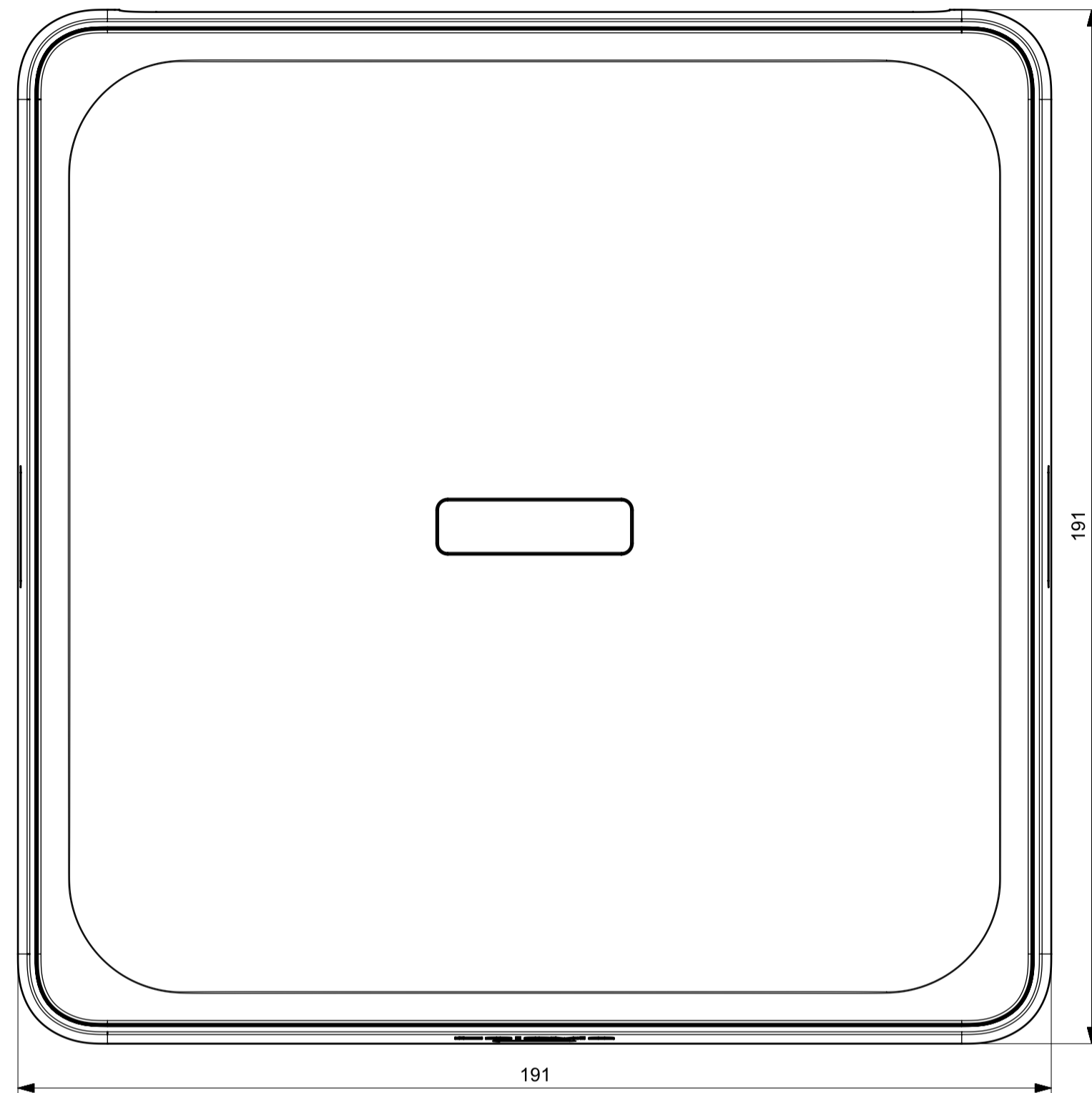
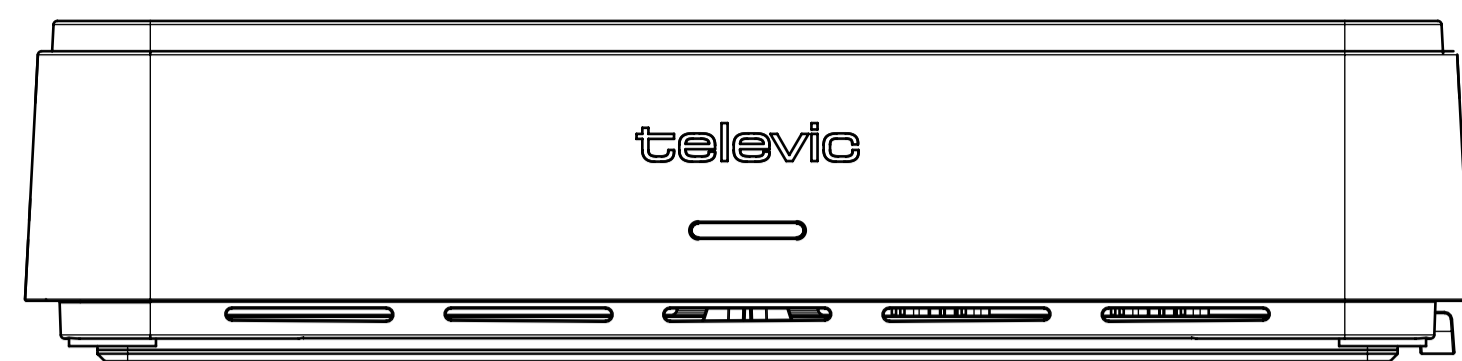
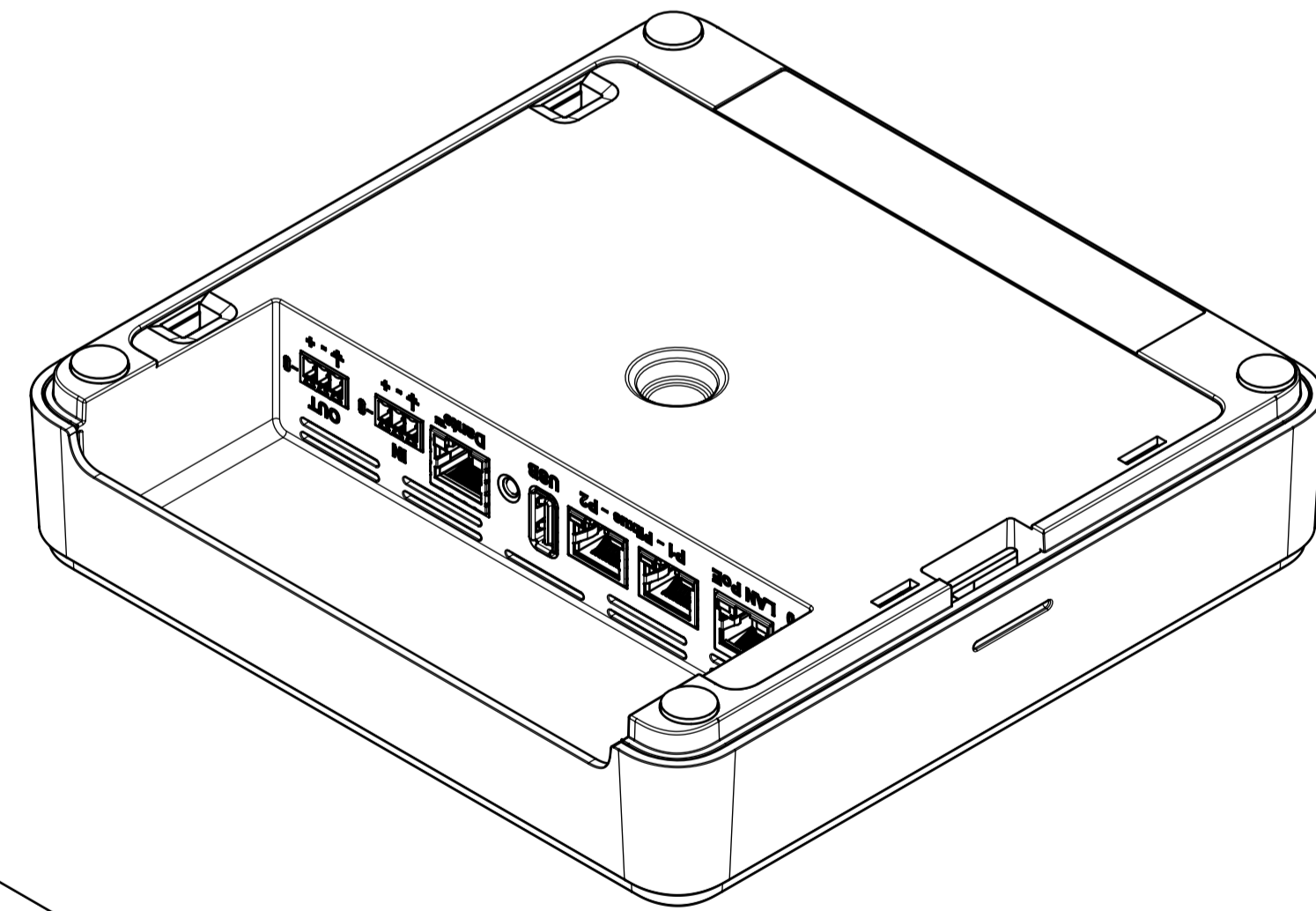


Remarks

- cover and button :
  - \* material : ASA
  - \* colour : RAL9016
  - \* finishing : light textured
- backplate :
  - \* material : PC/ABS UL94v0
  - \* colour : black
  - \* finishing : light textured
- mounting plate :
  - \* material : PC/ABS UL94v0
  - \* colour : RAL7021
  - \* finishing : light textured

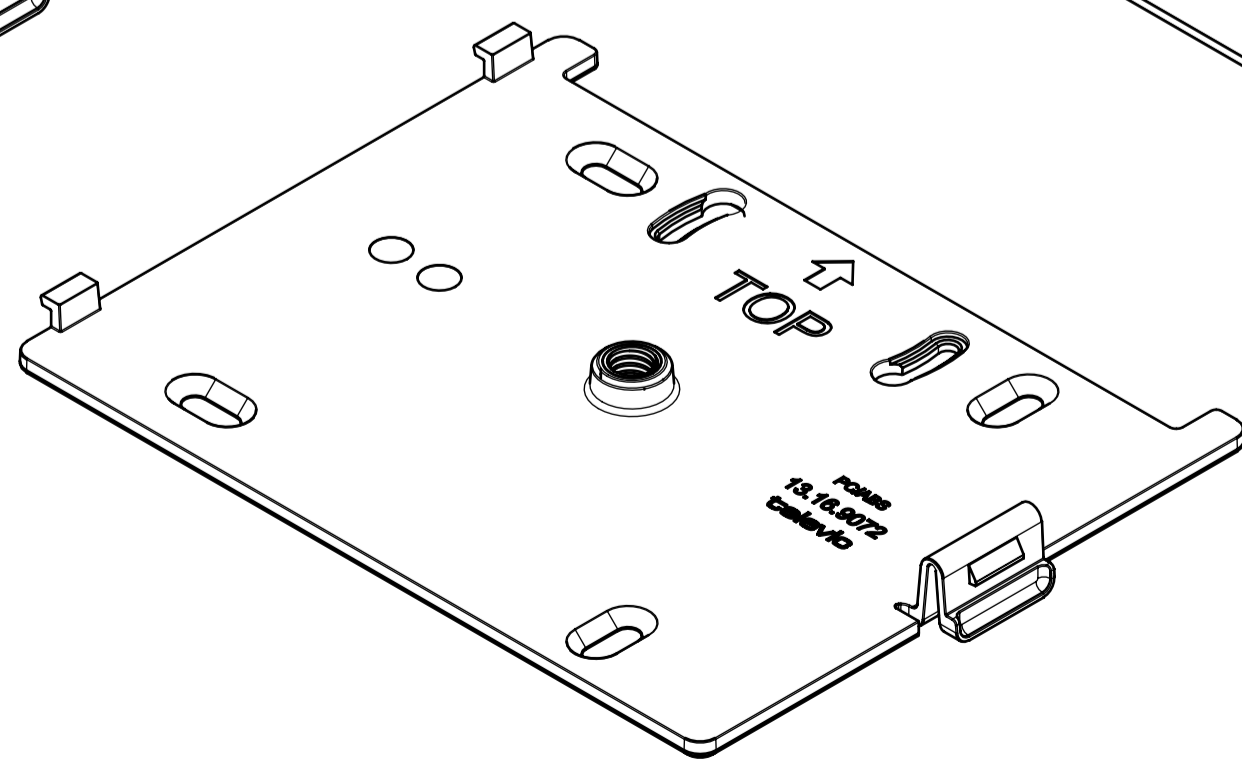
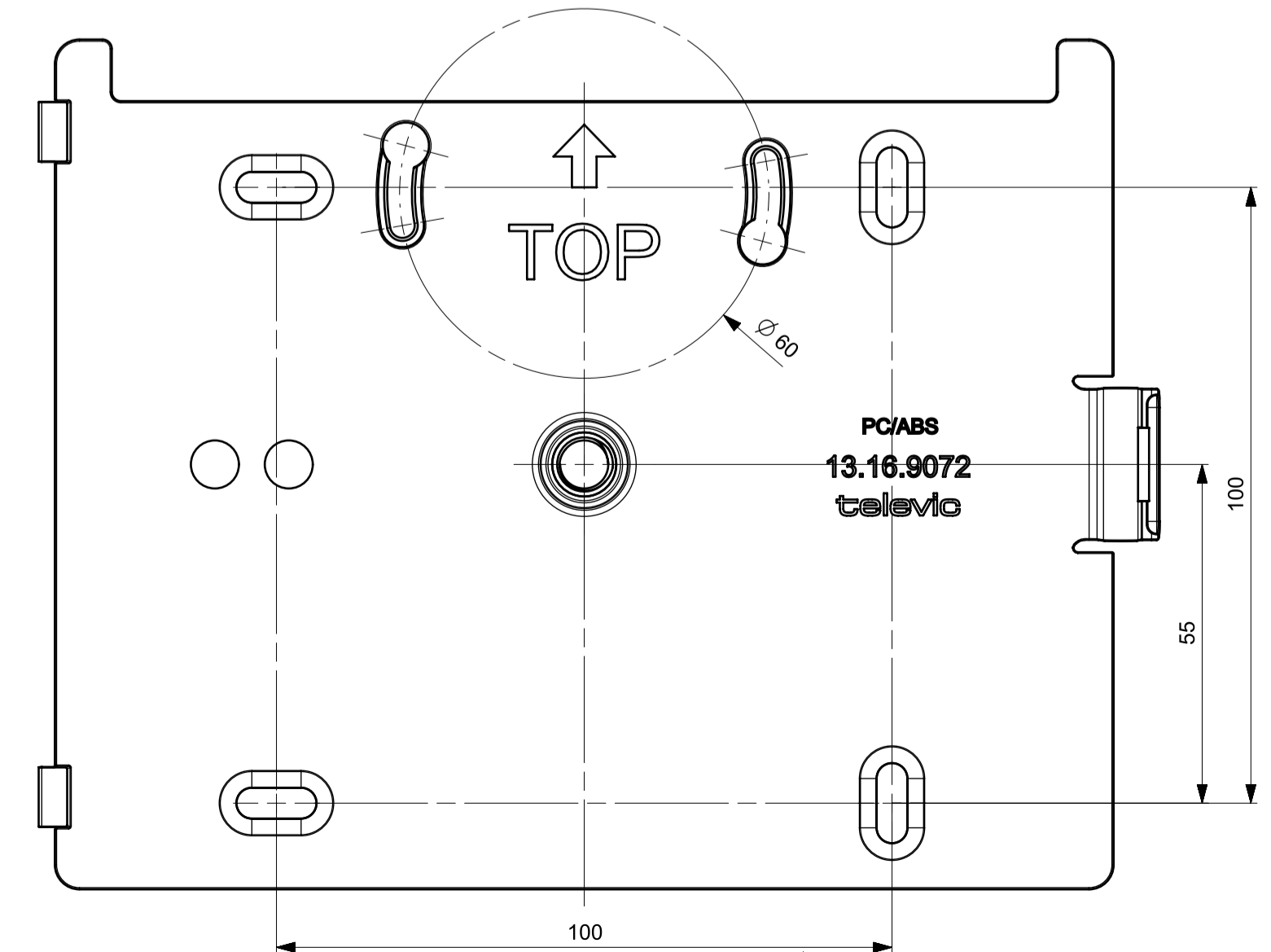


SCALE 3:4



SCALE 3:4

fixation holes



SCALE 3:4

| Revision                    | ECN-nr                  | Remarks - description  | Date            | Name      |
|-----------------------------|-------------------------|--|-----------------|-----------|
| Linear tolerances           | Surface roughness       | Shape and positioning tolerances   | Bend tolerances | Finishing |
| ISO 2768-middle             | ISO 1302                | ISO 1101 / ISO 2786 - K  | ISO 2768-middle | -         |
| Drawing name                |                         |  |                 | Material  |
| <b>Confidea WAP GO/FLEX</b> |                         |  |                 | -         |
| Name                        | Date                    | Drawing number   | Sheet           | 1 of 1    |
| Drawn by                    | Bv                      | 24/08/2020   | Scale           | 1 : 1     |
| Approved by                 | APPROVED DATE APPROV BY | unit : mm  | Format          | A1        |
| <b>televio</b>              |                         | All rights reserved. No parts of this concept may be reproduced in any form or by any means without the prior written permission of Televio. |                 |           |