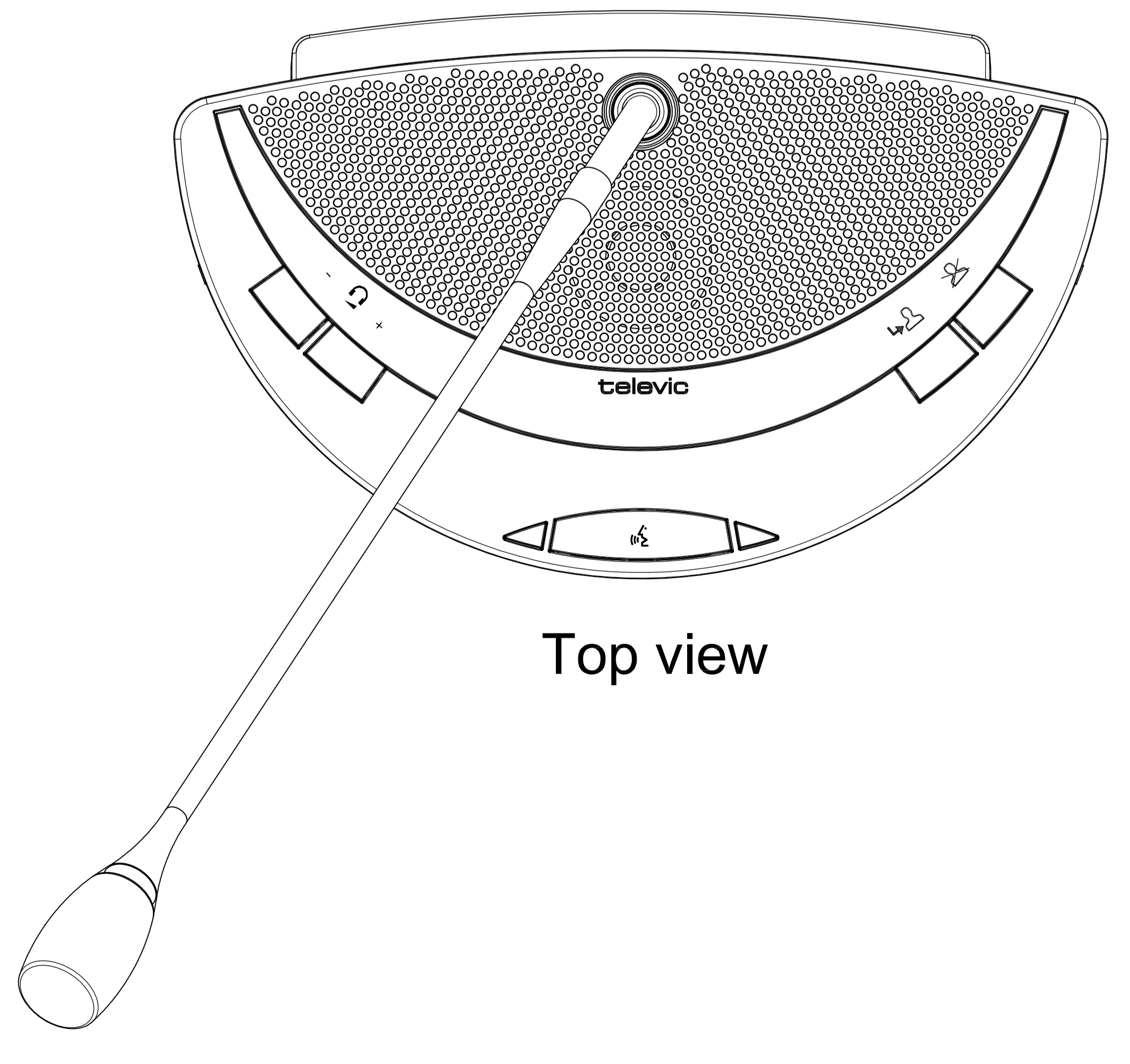
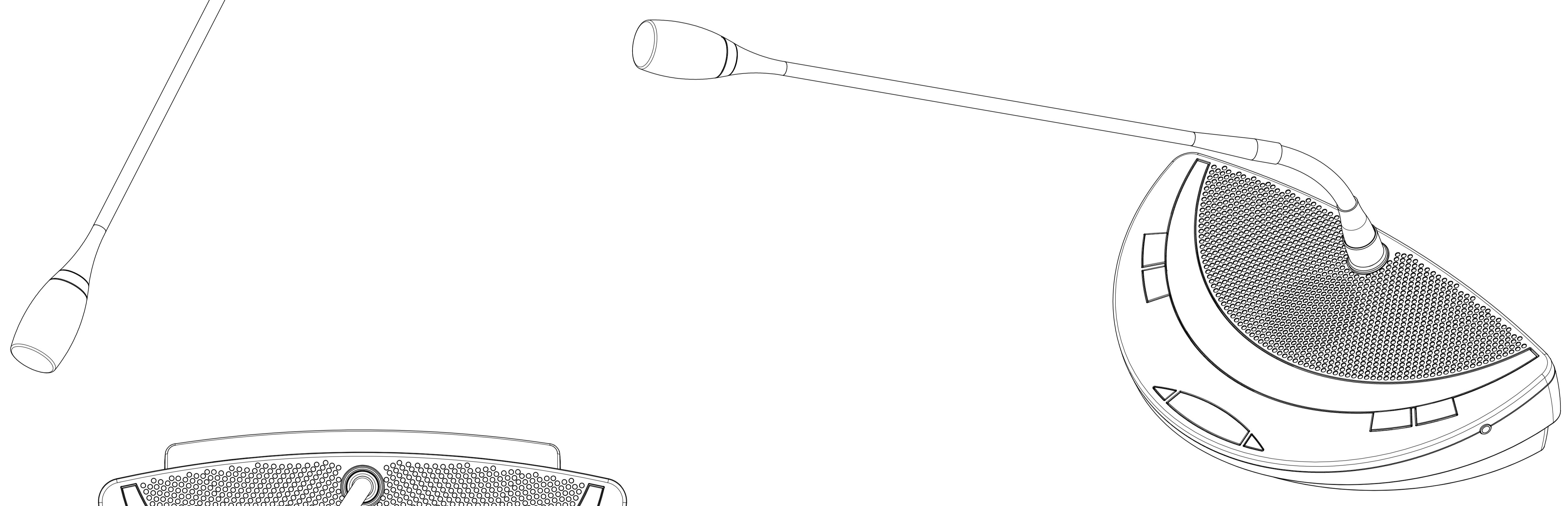
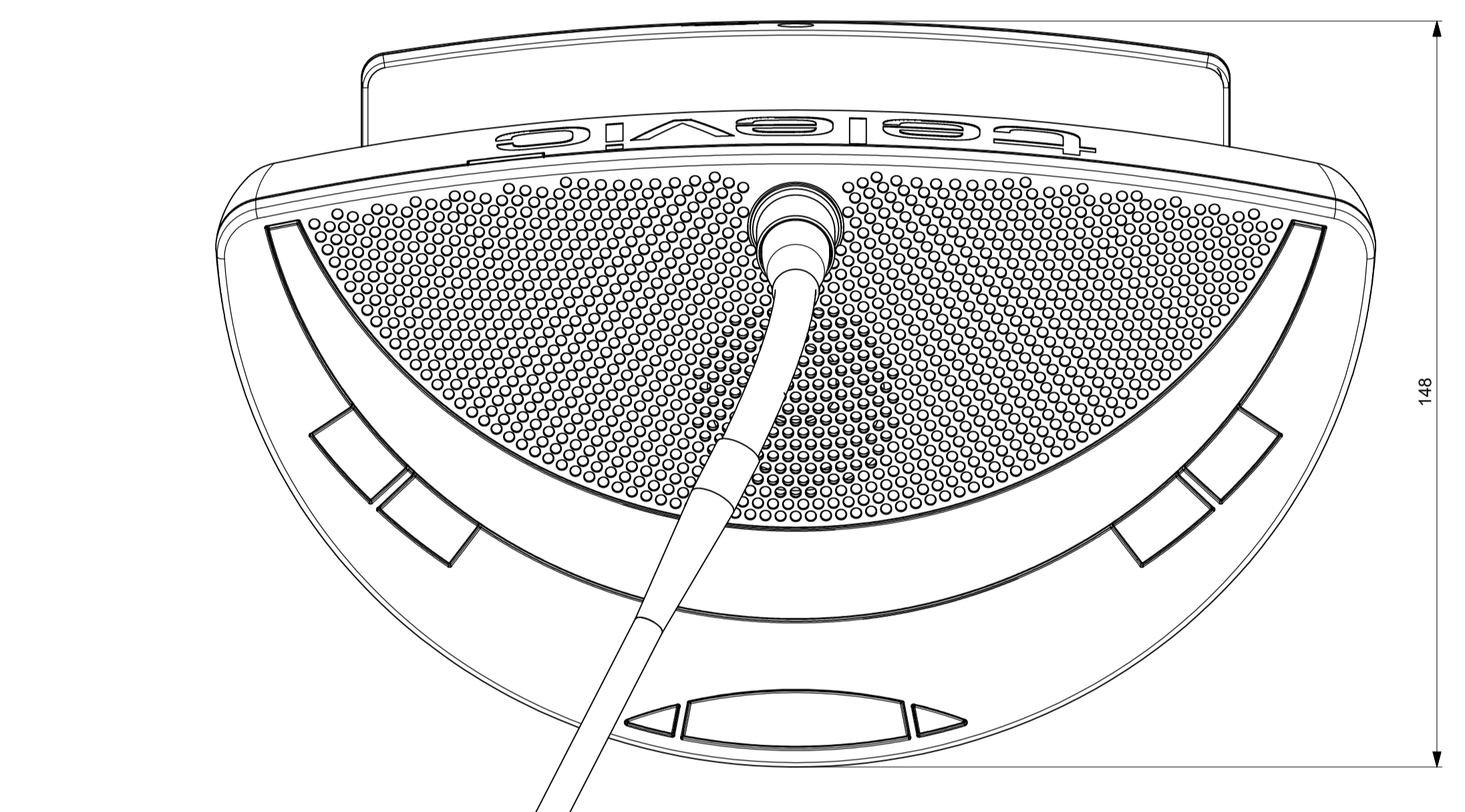
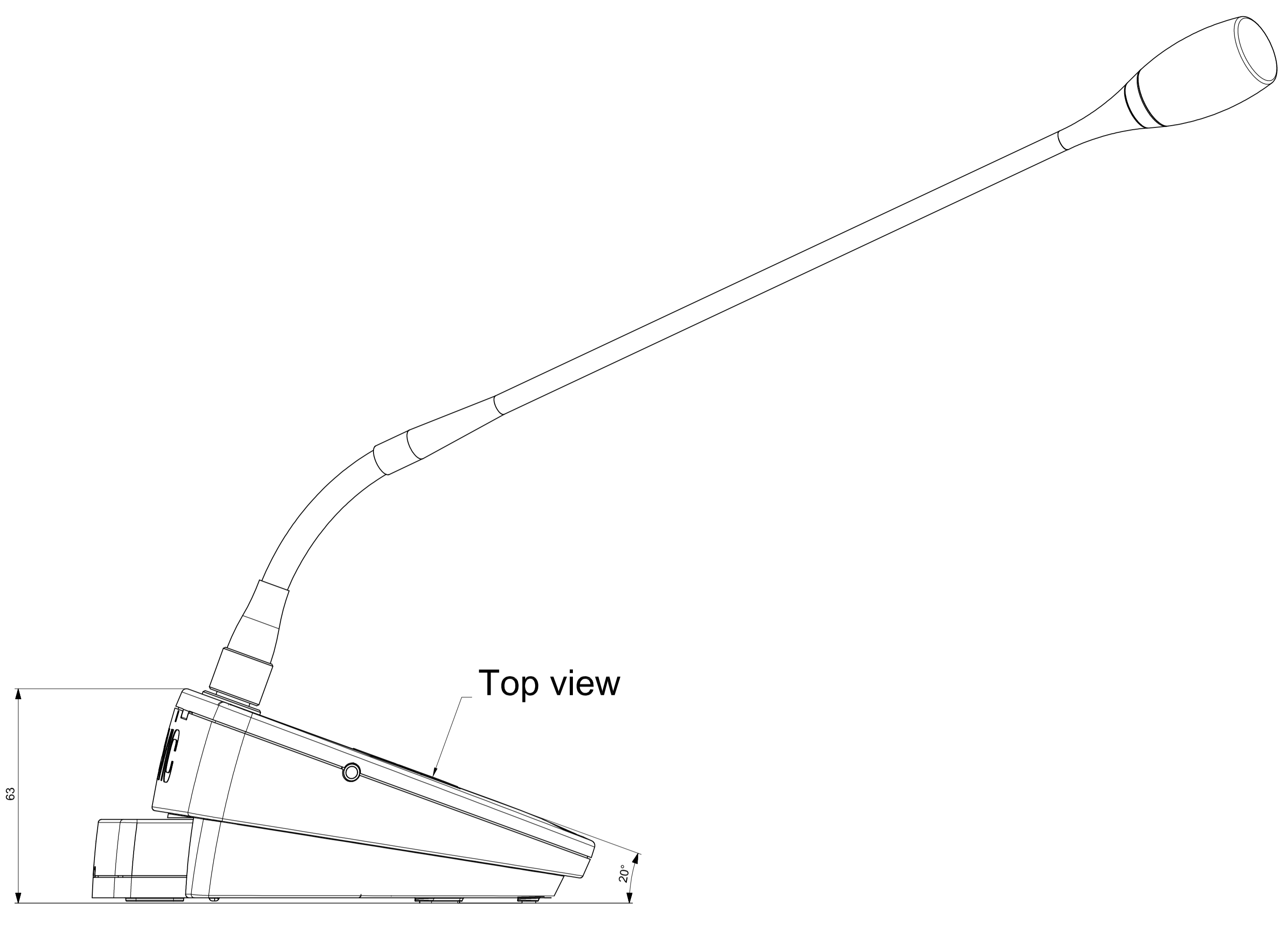
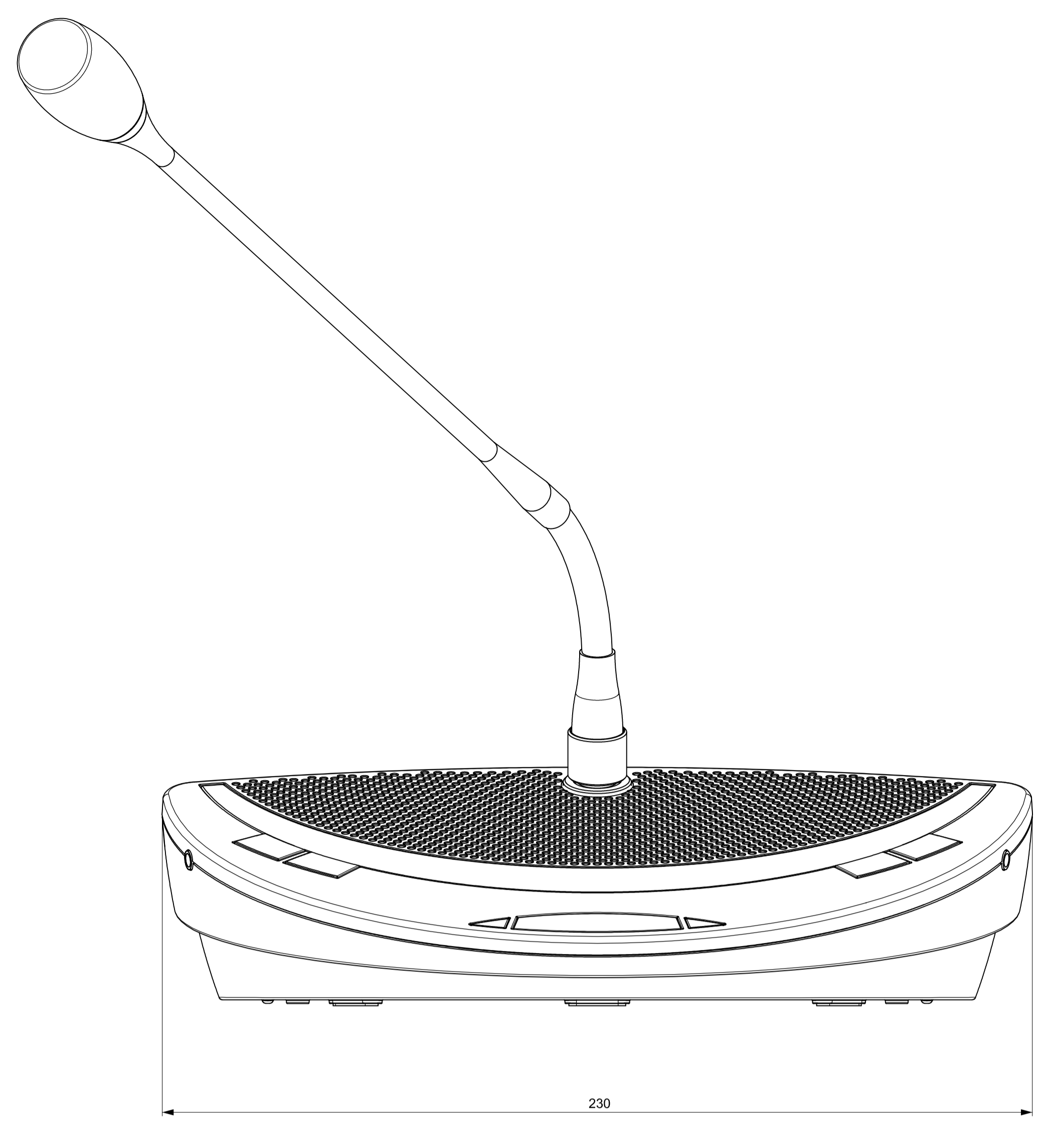


Remarks
 Material: PC/ABS
 BLACK
 Dimension 230 x 148 x 63 mm
 Price applied to the specified quantity.



Author	EC/ner	Project	71.98.0015_M07_2D_01	Drawn	1 of 1
Revision		Remarks - description		Date	
Linear tolerances	Surface roughness	Shape and positioning tolerances	Geometric tolerances	Finishing	see remarks
ISO 2768-mS	ISO 1302	ISO 1101	ISO 2768-M	ISO 2768-mS	
Drawing name					
CONFIDEA G3 CD					
Drawn by	TVS	Checked by	ADV	Drawing number	71.98.0015_M07_2D_01
Approved by	ADV	Scale	1:1	Format	ADV
<small>All rights reserved. No part of this concept may be reproduced in any form without the prior written permission of 'televic'.</small>					