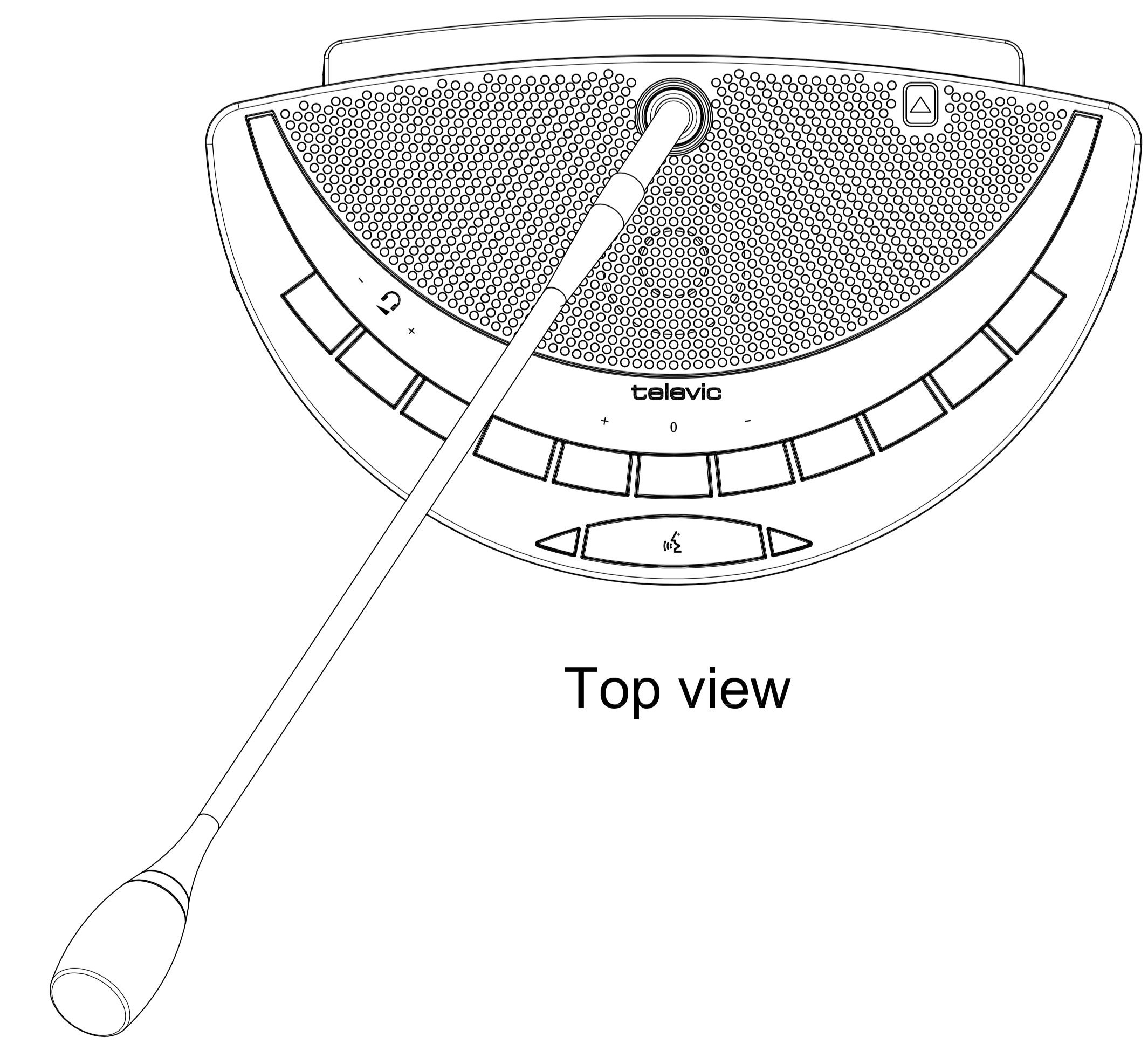
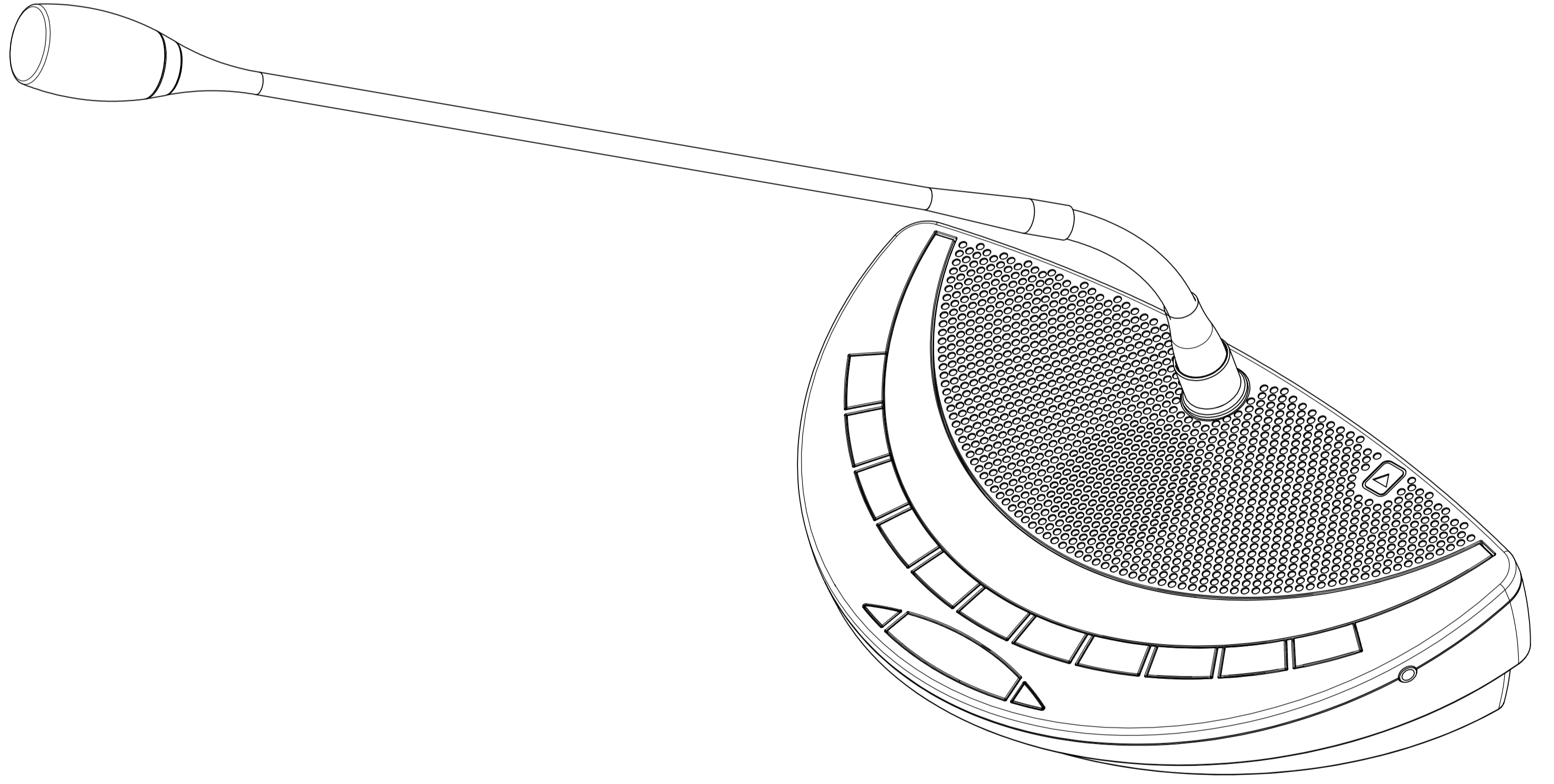
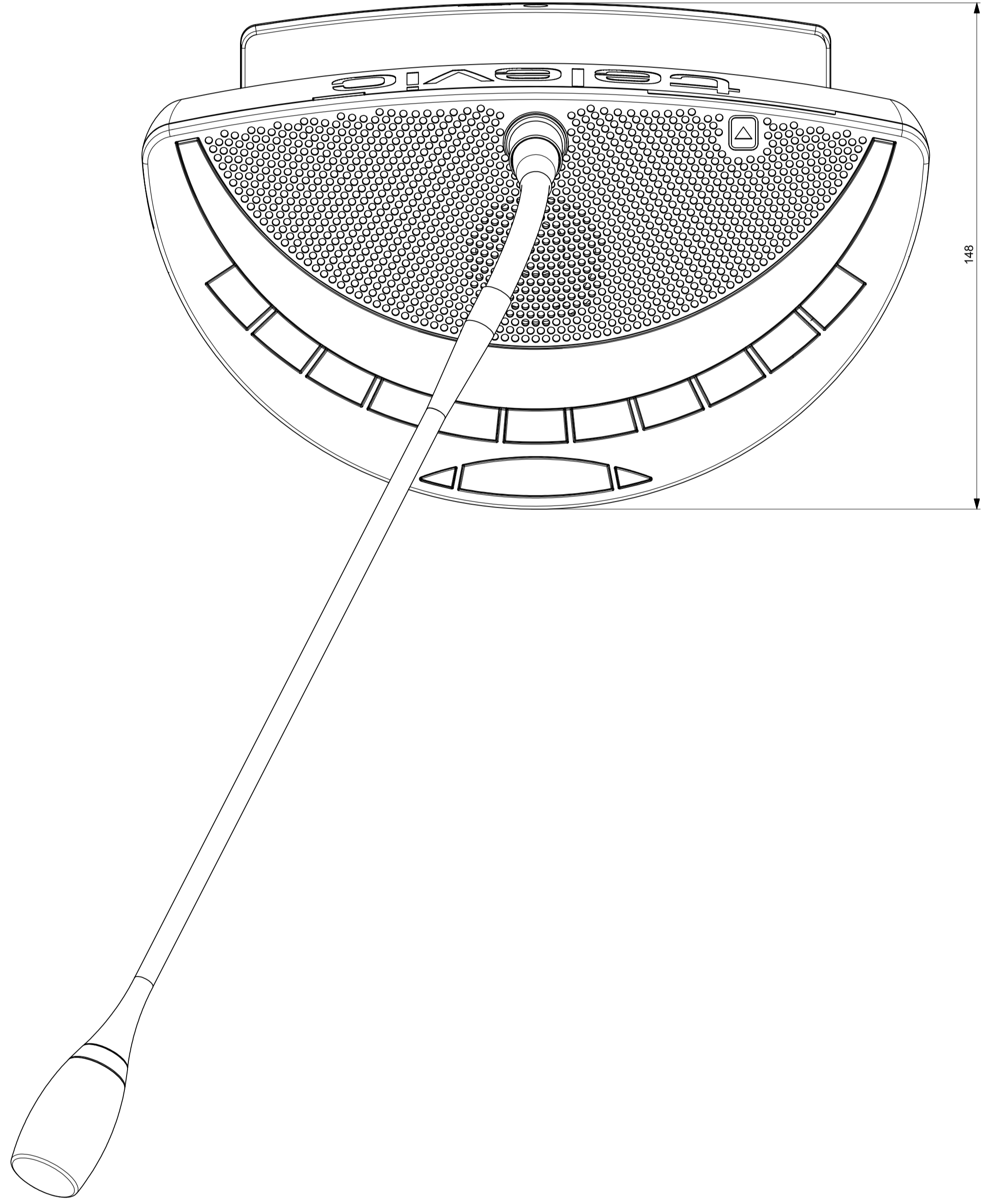
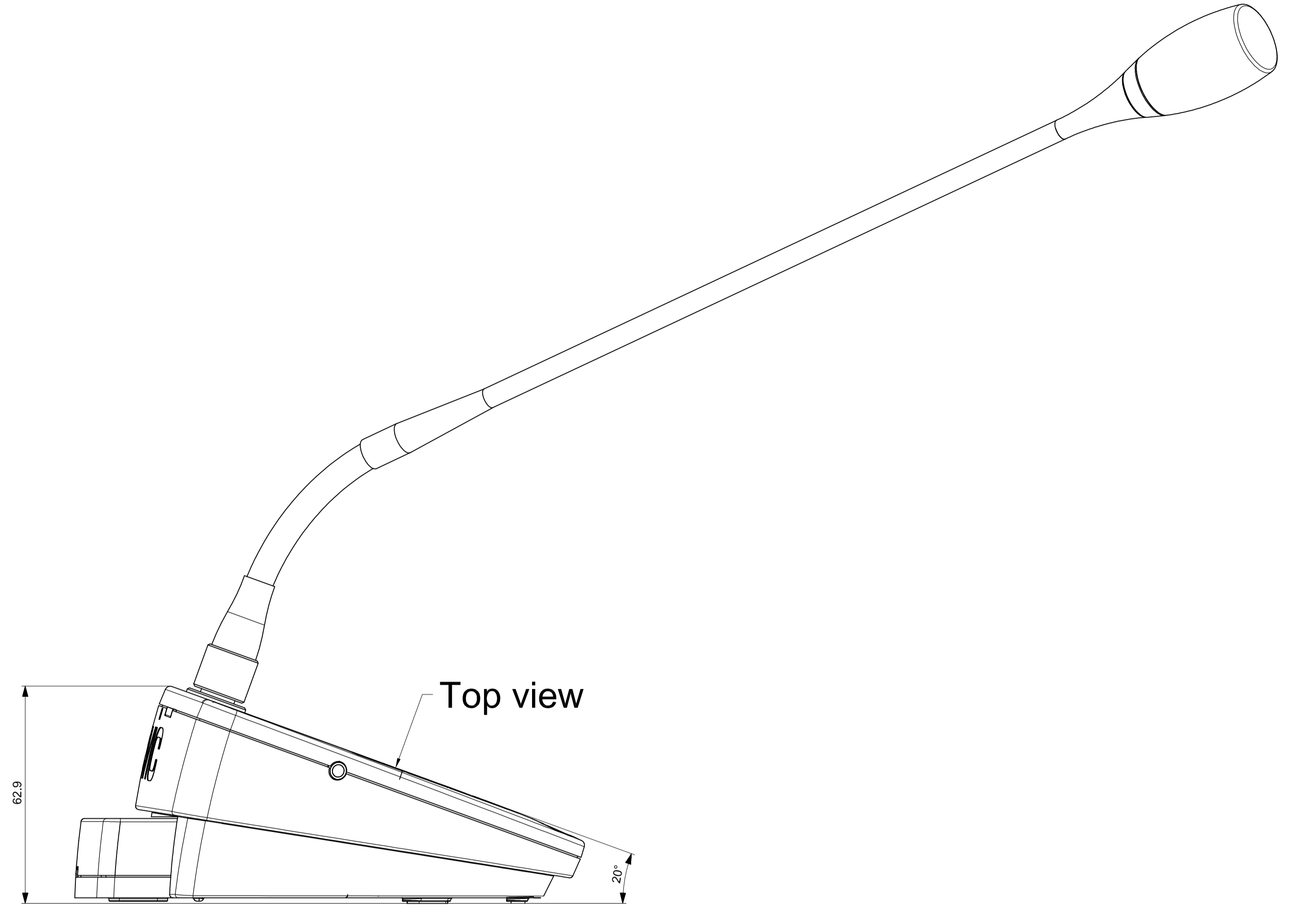
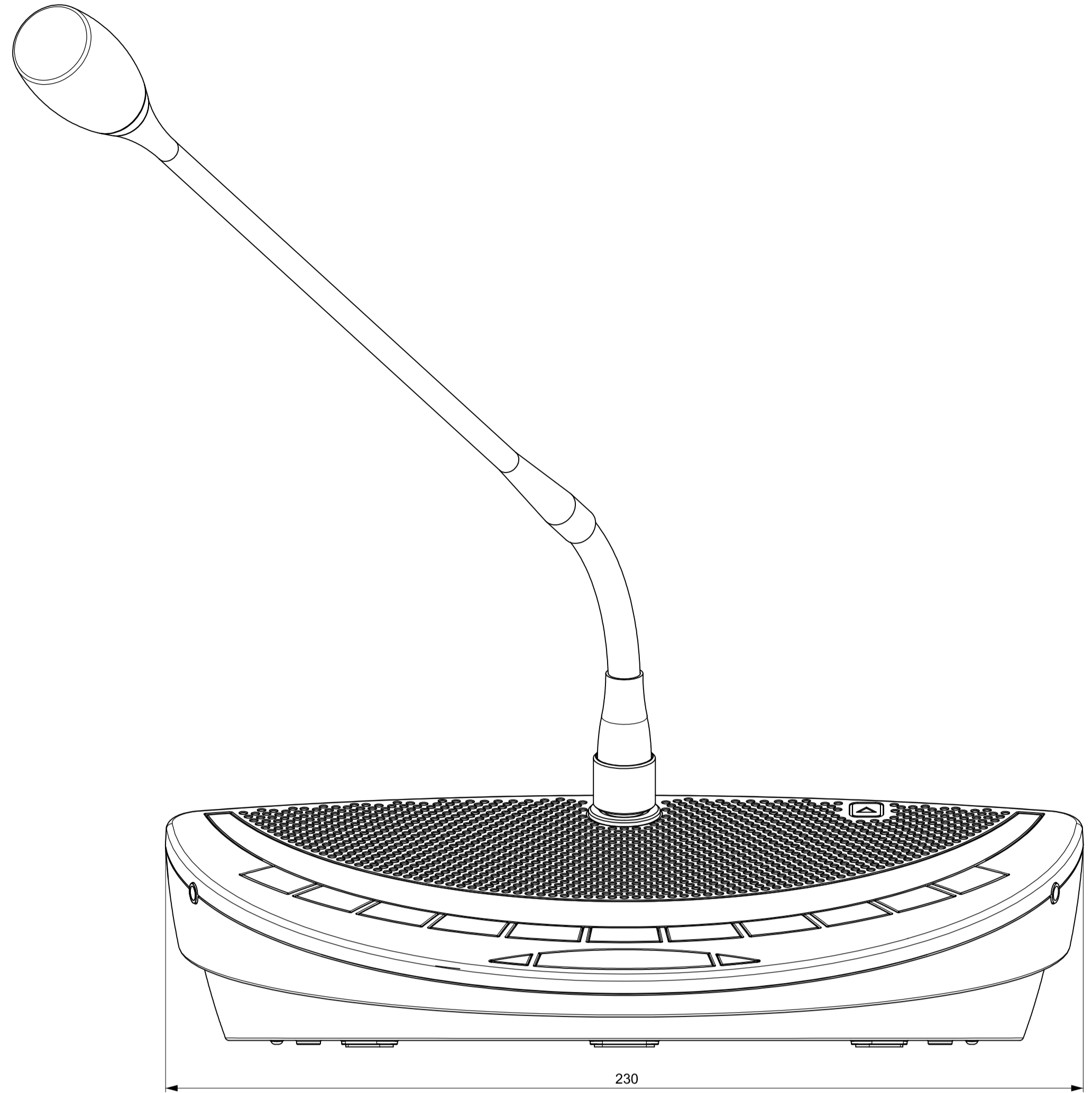


Remarks
 Material: PC/ABS
 BLACK
 Dimensions 230 x 148 x 63 mm
 Price applied to the specified quantity.



Date		2014/02/10		2014/02/10		TUS	
Revision		E2/Rev		Remarks - description		Date	
Linear tolerances		Surface roughness		Shape and positioning tolerances		Geometric tolerances	
ISO 2768-mS-A		ISO 1312		ISO 1101 / ISO 2768 - M		ISO 2768-mS-B	
Drawing name		Confidea G3 DV		Sheet		1 of 1	
Drawn by		TUS		Checked by		TUS	
Approved by		TUS		Drawing number		71.98.0006_M07_2D_0.01	
Scale		1:1		Format		ADV	



All rights reserved. No part of this concept may be reproduced in any form without the prior written permission of Televia.