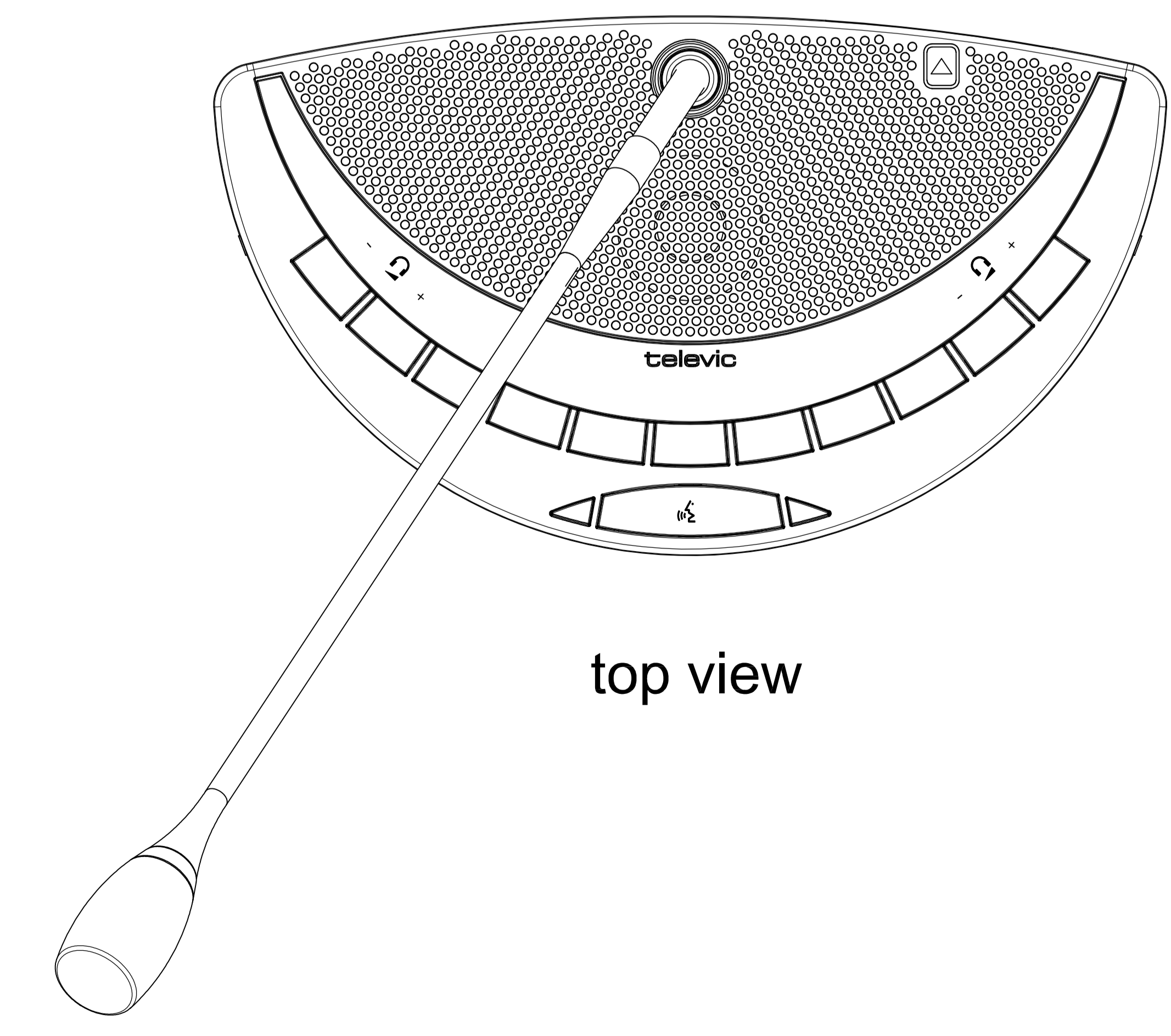
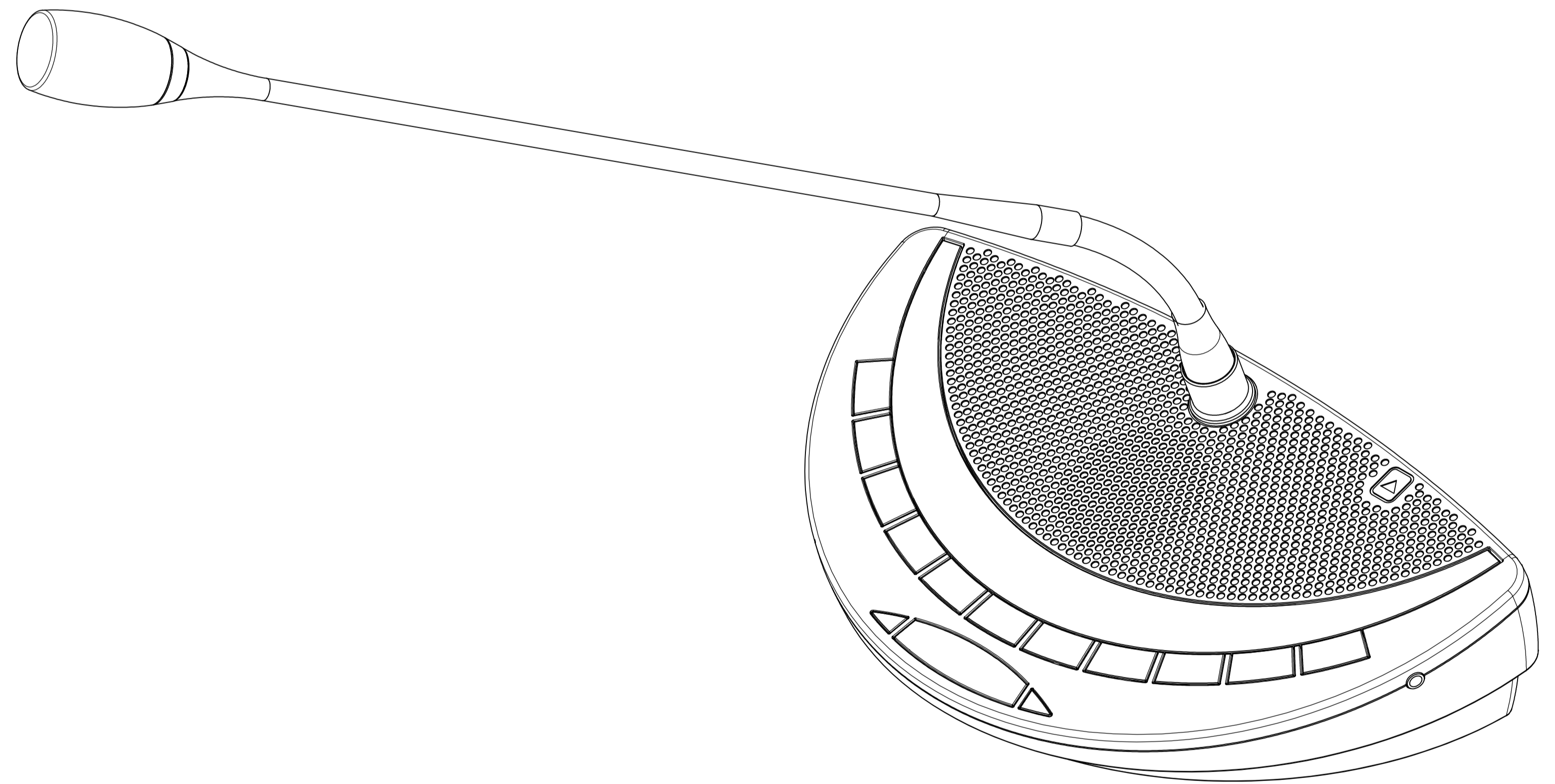
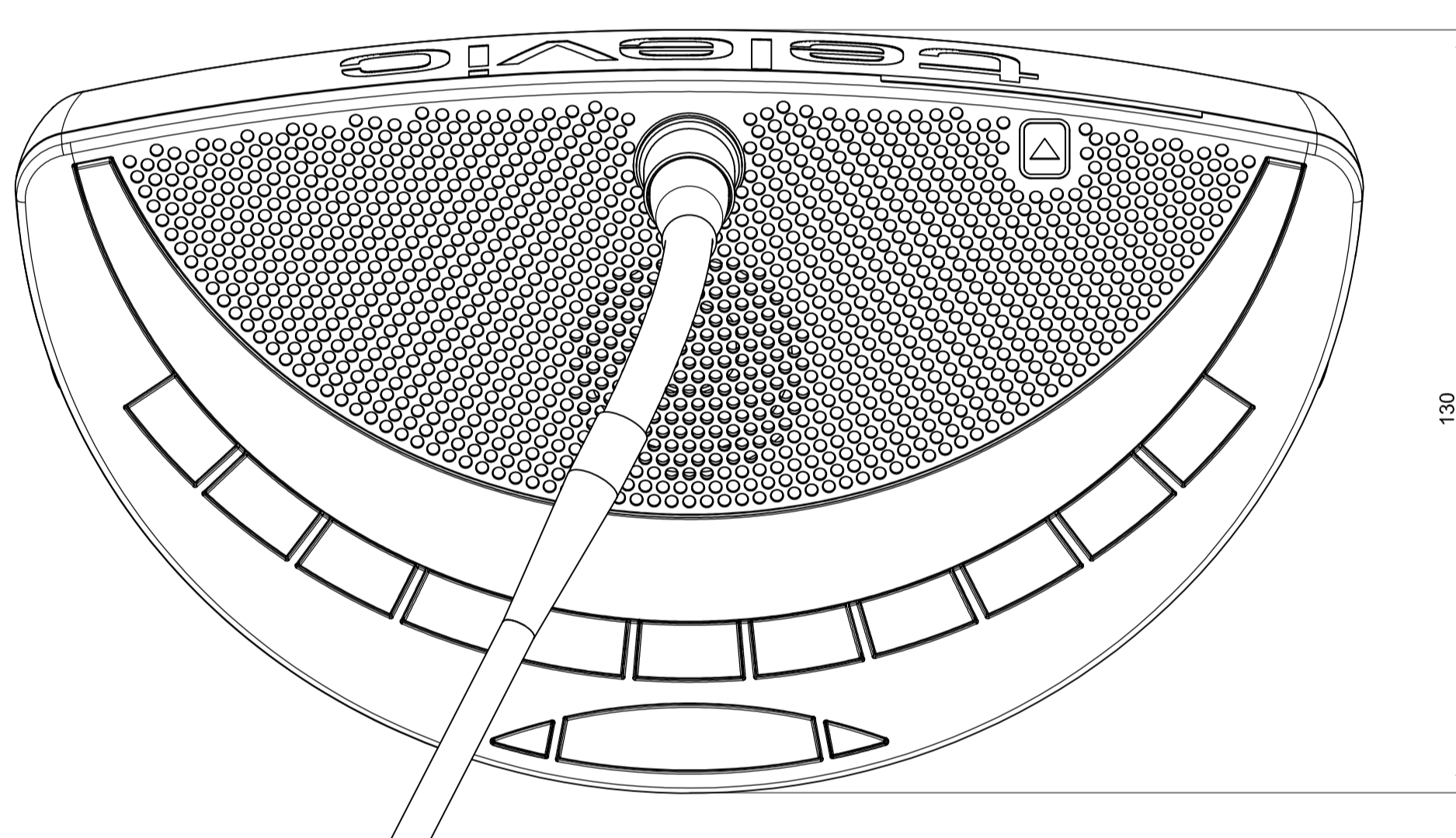
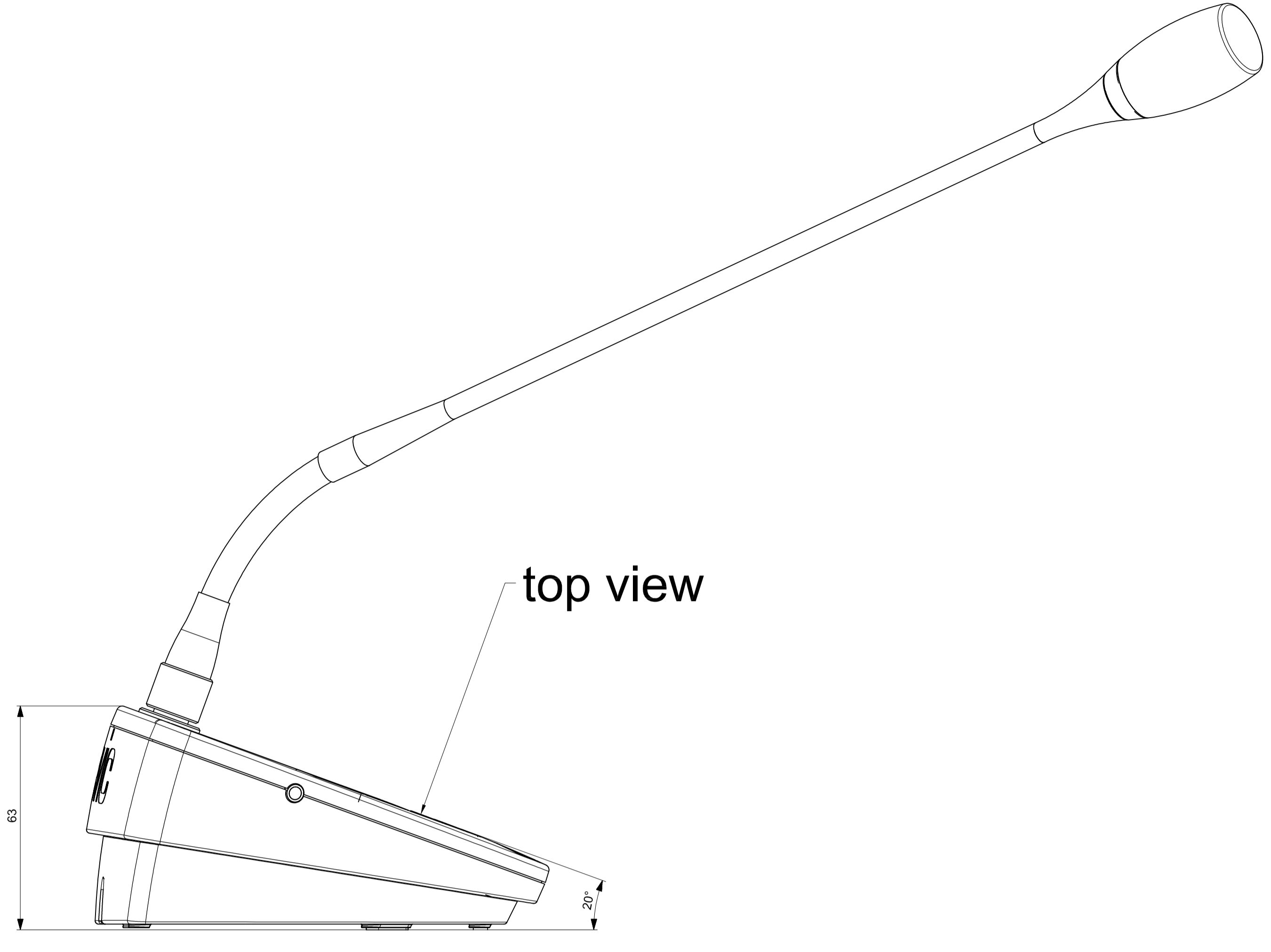
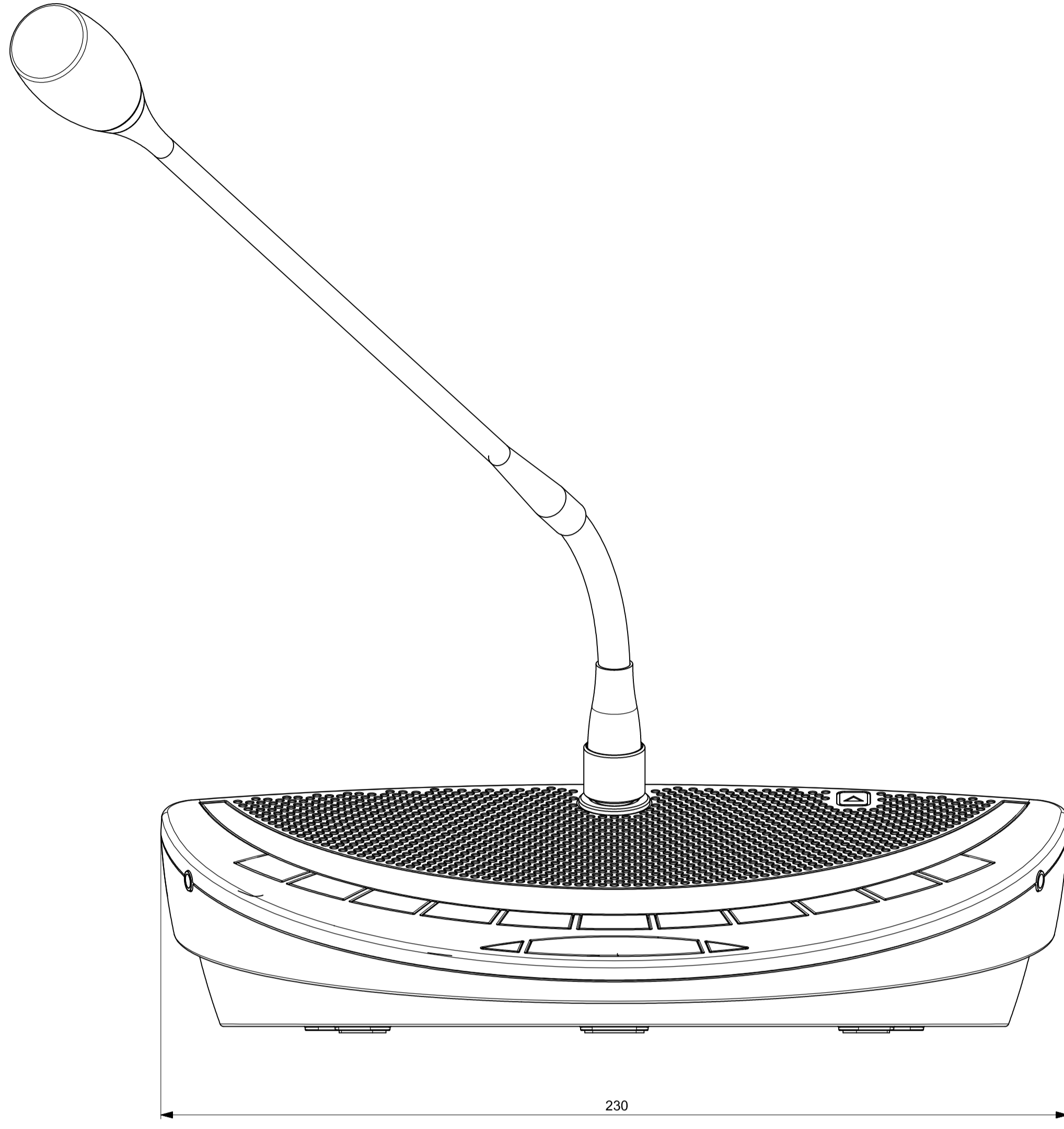


Remarks
 Material: PC/ABS
 BLACK
 Dimensions: 230 x 130 x 63 mm
 Price applied to the specified quantity.



Author	EC/ner	digital drawing	21/04/2018	TYS
Revision	EC/ner	Remarks - description	Draw	Name
Linear tolerances	Surface roughness	Shape and positioning tolerances	Geometric tolerances	Finishing
ISO 2768-mS	ISO 1302	ISO 1101	ISO 2768-mS	see remarks
Drawing name				
Confidea T-D2I				
Drawn by	TYS	Checked by	EC/ner	Sheet
Approved by	21/04/2018	Unit	mm	1 of 1
Drawing number			71.98.0125_M07_2D_0.01	Scale
			1:1	Format
			ADV	



All rights reserved. No part of this concept may be reproduced in any form or by any means without the prior written permission of televic.