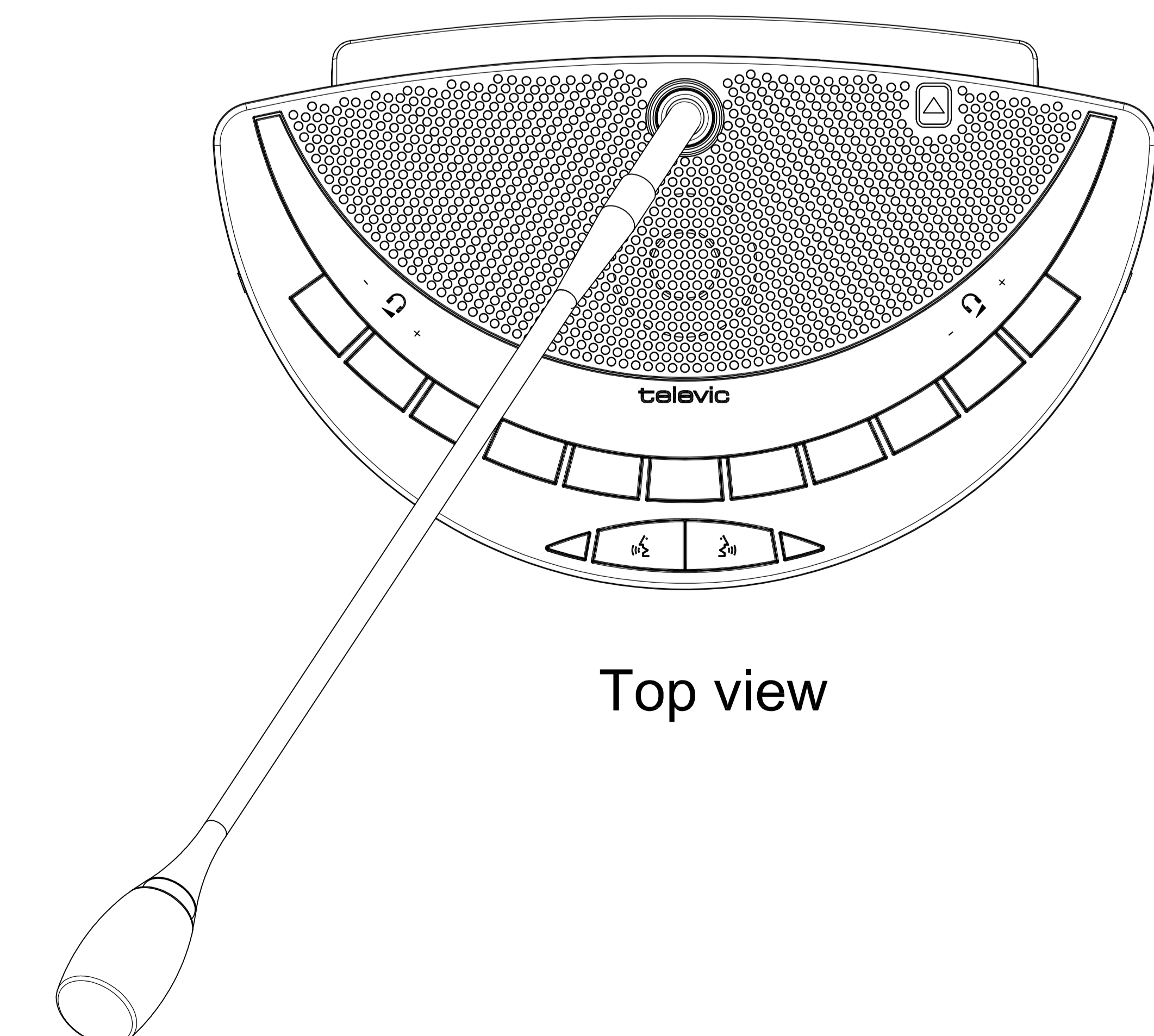
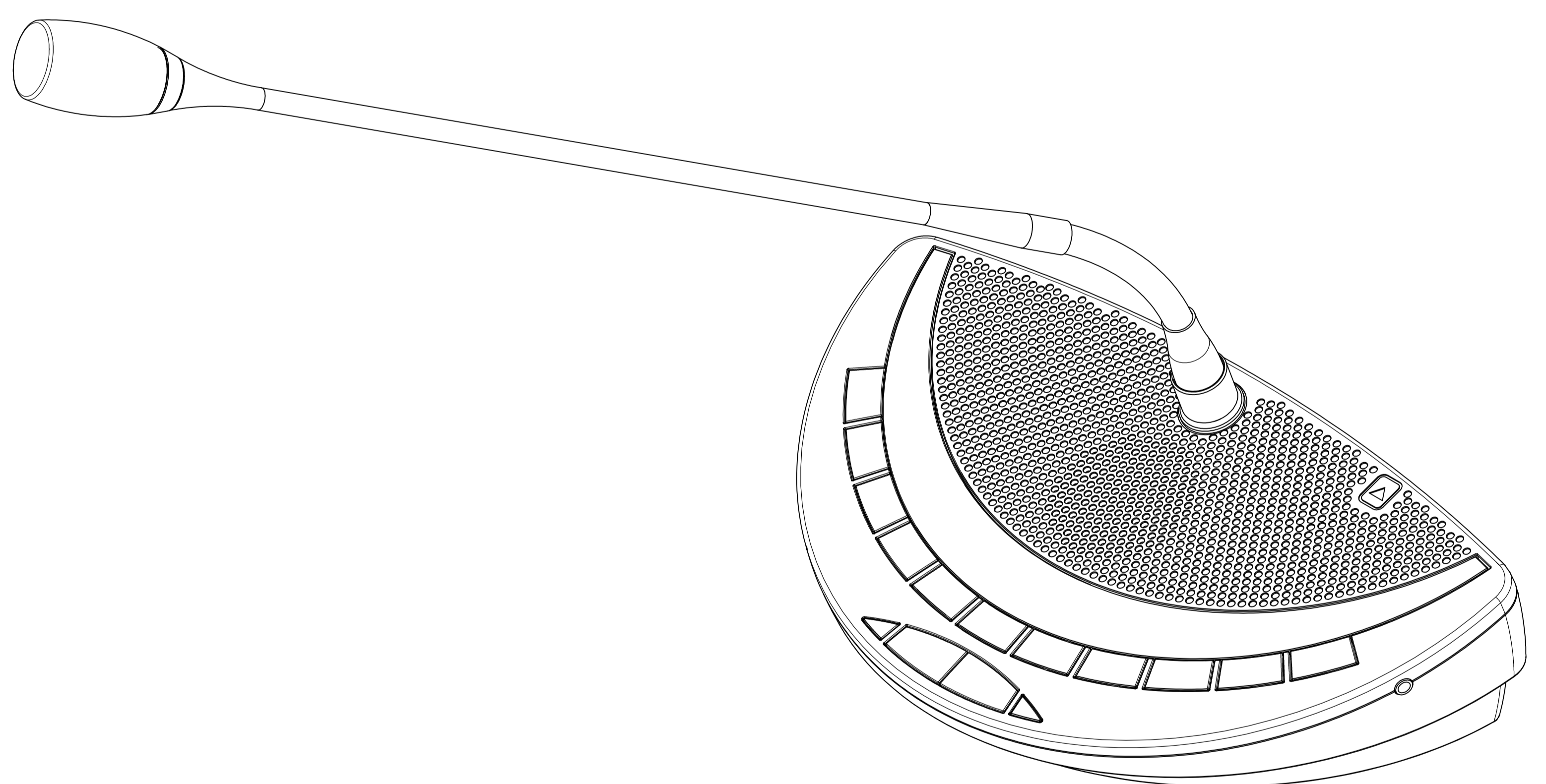
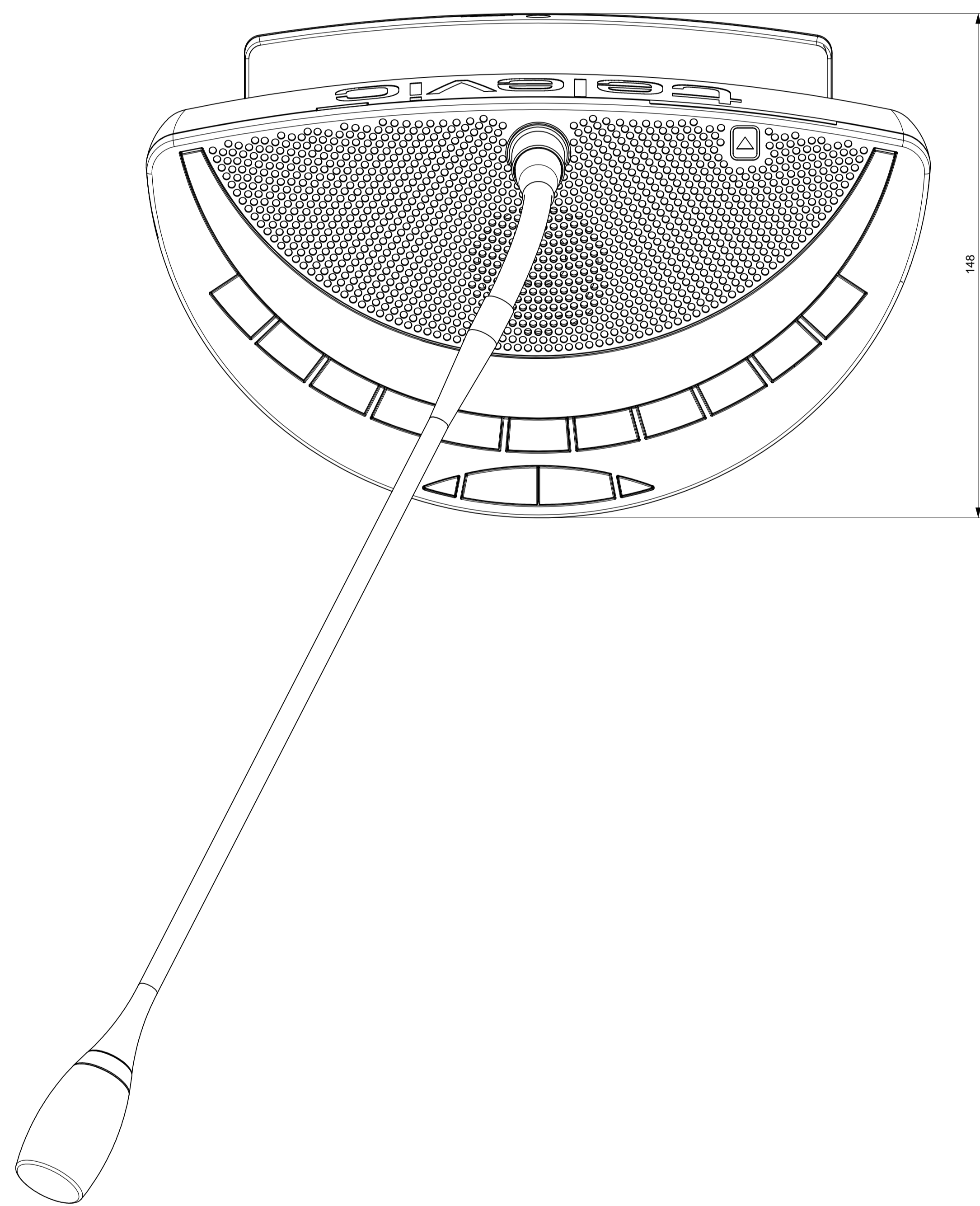
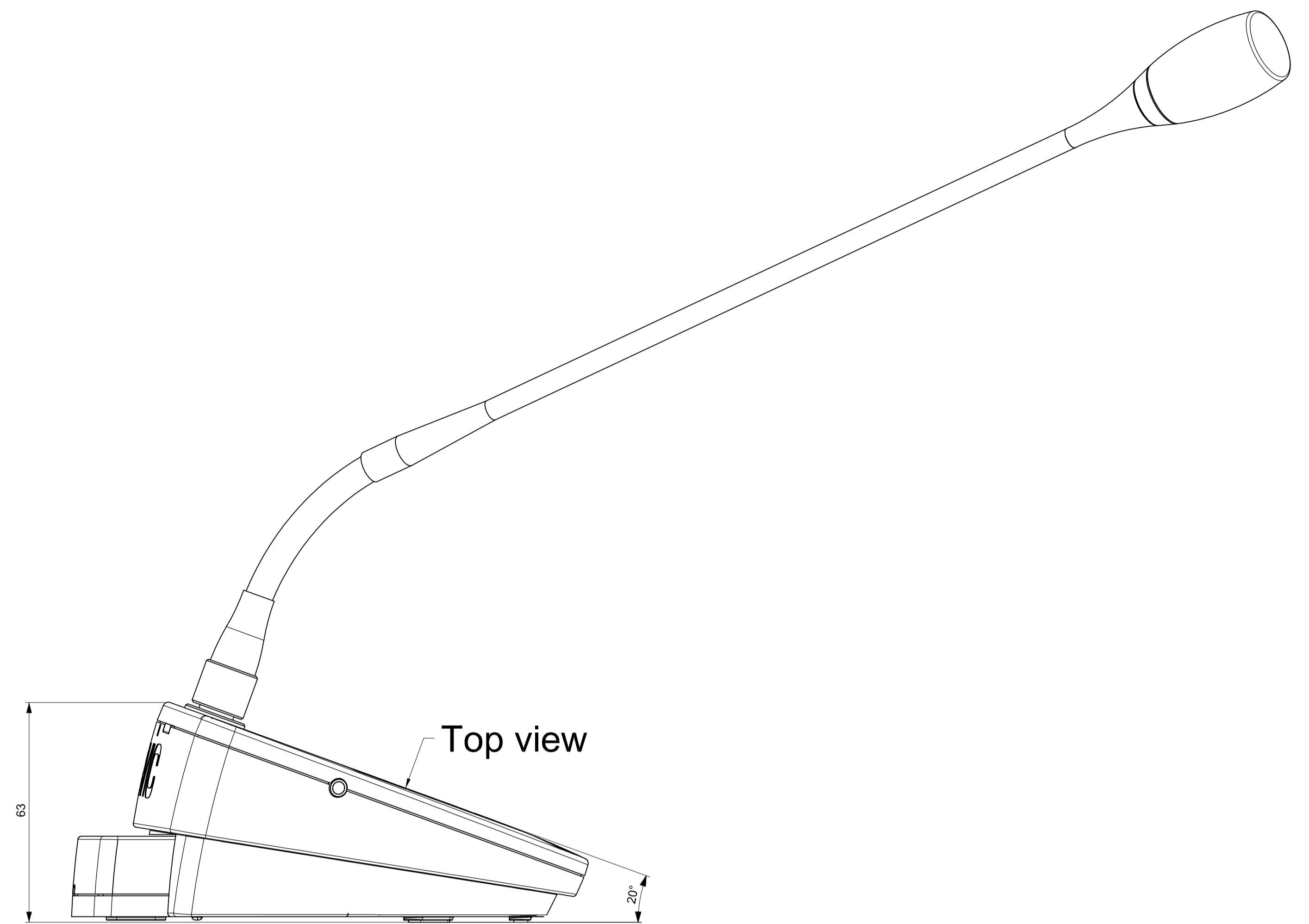
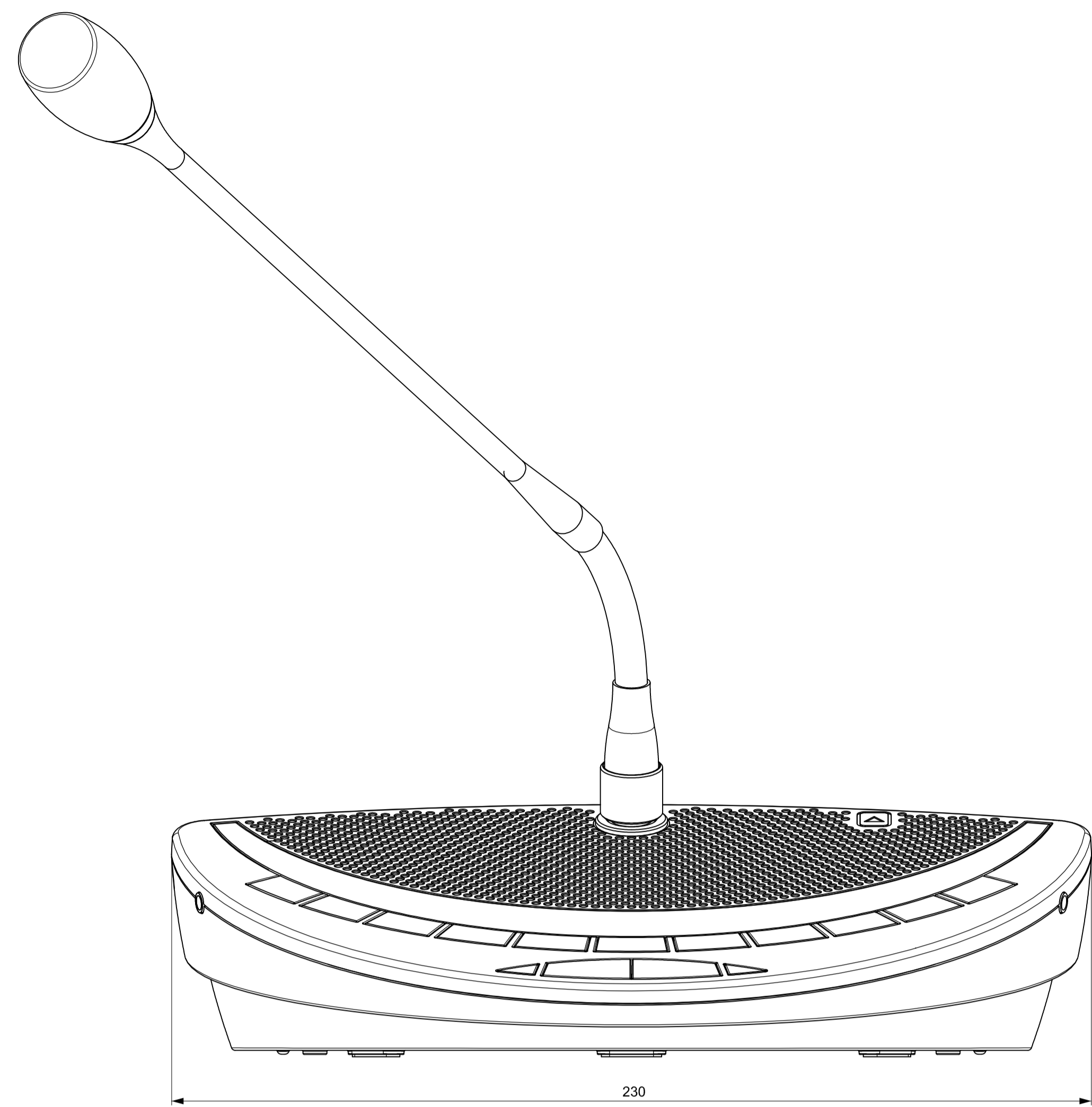


Remarks  
 Material: PC/ABS  
 BLACK  
 Dimensions 230 x 148 x 63 mm  
 Price applied to the specified quantity



Author	EC/Rev	Remarks - description	21/04/2018	TJS
Revision	EC/Rev	Remarks - description	Date	Name
Linear tolerances	Surface roughness	Shape and positioning tolerances	Geometric tolerances	Finishing
ISO 2768-mS/AS	ISO 1382	ISO 1101 / ISO 2768 - M	ISO 2768-mS/AS	see remarks
Drawing name	Confidea G3 2D2I			Version
Drawn by	TJS	Checked by	71.98.0027_M07_2D_0.01	Sheet 1 of 1
Approved by	ADW	Scale	1:1	Format A3
				<small>All rights reserved. No part of this concept may be reproduced in any form or by any means without the prior written permission of Televio.</small>