

# Confidea F-DIV Mike

## Confidea Flushmount Delegate Interpretation & Voting Unit



### Description

The Confidea F-DIV Mike is Televic's delegate panel for discussion systems, with an integrated speaker, simultaneous interpretation and electronic voting.

Its small form factor, housed in an elegant casing, permits a minimalistic integration into any meeting room furniture. The integrated speaker creates a distributed sound field in the meeting room, increasing intelligibility without the need for an additional room sound system.

The panel has a microphone connector to fit the new push-and-lock Mike microphone that reduces setup time. A 3.5 mm jack socket is available to connect headphones or a hearing loop for the hearing impaired. For simultaneous interpretation, the panel has a channel selector and headphones volume adjustment.

The information display shows the channel number & ISO code of the selected language and the volume setting. The voting systems includes 5 voting buttons and an RFID card reader for identification and authentication. The chairperson version of this panel has additional controls (see Confidea F-CIV Mike 71.98.0544).

### Benefits

The Confidea F-DIV Mike is a sleek and discreet solution that is perfectly suited to conference rooms without an existing sound system. The ability to connect headphones provides accessibility for the hearing impaired. The clear and easy channel selector allows for user-friendly simultaneous interpretation conferences. The range of 5 voting buttons allows for easy and detailed voting options.

The unit is available in a variety of custom colors, sizes and finishes to blend in neatly in any environment. The Confidea F-DIV Mike is backed by the Plixus® network and redundant cabling to ensure maximum reliability. Finally, its shielded microphone is immune to mobile phone interference.

### Features

- » Basic discussion function
- » Interpretation function
- » Voting function
- » Tactile microphone push button with integrated LED
- » 5 clear voting buttons with LED indicators: ++/+/0/-/--
- » Headphone volume adjustment
- » Language channel selector
- » Channel information display
- » Integrated loudspeaker
- » Rounded corners for easy installation
- » Trademark natural Televic Sound
- » Available in custom colors, sizes, finishes

### Connectivity

- » Push & Lock socket to connect a removable microphone:
  - Mike LPM 71.98.0091
  - Mike PLM301F 71.98.0093
  - Mike PLM401F 71.98.0094
  - Mike PLM502F 71.98.0095
  - Mike PLM602F 71.98.0096
  - Mike PLM402F 71.98.0098
  - Mike PLM40FF 71.98.0099
- » Two RJ 45 connectors for loop through cabling
- » 3.5 mm stereo jack socket for headphones
- » Plixus-powered

## Software

To fully configure, manage, and use the unit, Televic's CoCon management software is required. The following standard licenses are available:

» CoCon Discussion	71.98.1101
» CoCon Signage	71.98.1102
» CoCon Voting	71.98.1104
» CoCon Authentication	71.98.1105
» CoCon Interpretation	71.98.1107

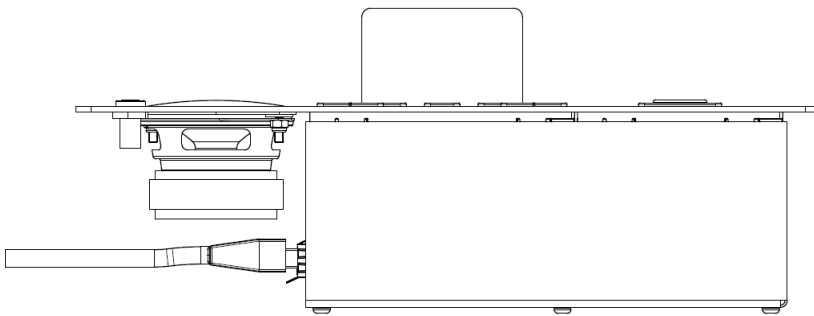
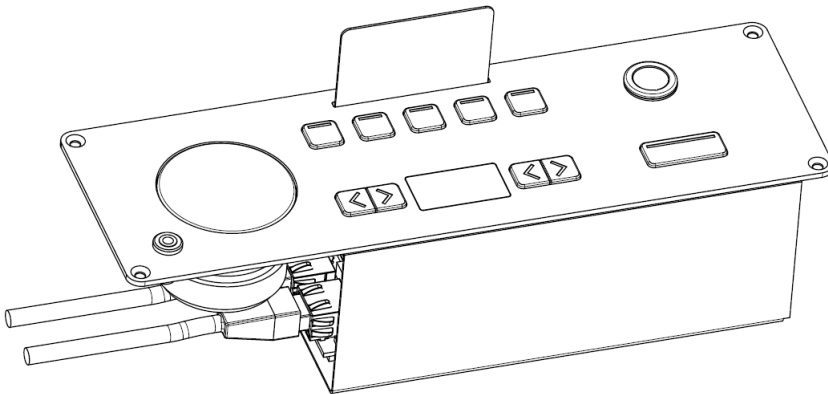
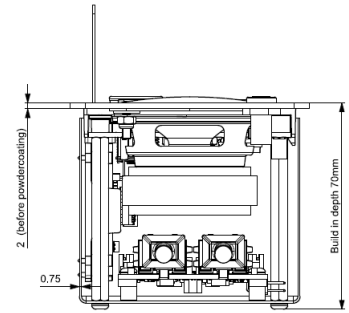
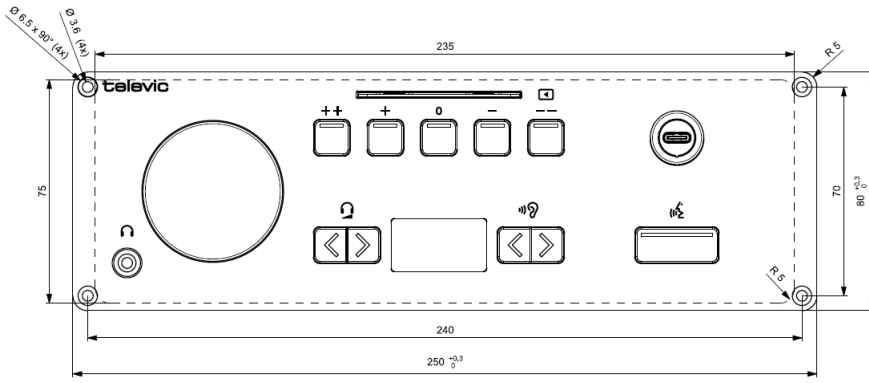
## Specifications

Mechanical	
Material	Steel
Color	Tiger coating Carbon 01
Size (mm)	250 (w) × 80 (h) × 70 (d)
Size packed (mm)	285 (w) × 120 (h) × 85 (d)
Weight	880 g
Weight packed	1,000 g
Electrical	
Voltage	48 VDC
Current consumption	4.5 W
Card reader	ISO 14443 MIFARE Card reader DESfire EV 1 Support
Speaker Output	
Maximum output power	> 1 W
Frequency response	200-20,000 Hz
Dynamic range	> 90 dB
THD @ nominal level	< 0.1%
Load impedance	8 Ω
Headphone Output	
Maximum output	> 10 mW
Frequency response	22-22,000 Hz
Dynamic range	> 90 dB
THD @ nominal level	< 0.1%
Load impedance	16-32 Ω
Microphone Input	
Dynamic range	> 90 dB
Frequency response	20-20,000 Hz
THD @ nominal level	0.1%
Display	
Display type	OLED
Resolution	128 x 64
Character height	5 mm
Environmental	
Operating temperature	0-45°C
Storage temperature	-20-60°C
Humidity	< 95%, >5%

## Certification

Region	Certification
Europe	CE

# Technical Drawings



## HQ Belgium

+32 51 30 30 45

conference@televic.com

<https://www.televic.com/en/conference>

## Asia

+86 21 61 48 01 23

conference@televic.com

[www.televic-conference.com.cn](http://www.televic-conference.com.cn)

## France

+33 3 74 09 52 76

conference-france@televic.com

[www.televic-conference.fr](http://www.televic-conference.fr)

## United States

+1 916 920 0901

conference-us@televic.com

All information copyright Televic Conference, 2024.

Televic reserves the right to change this document without notice.

Version 1.1

