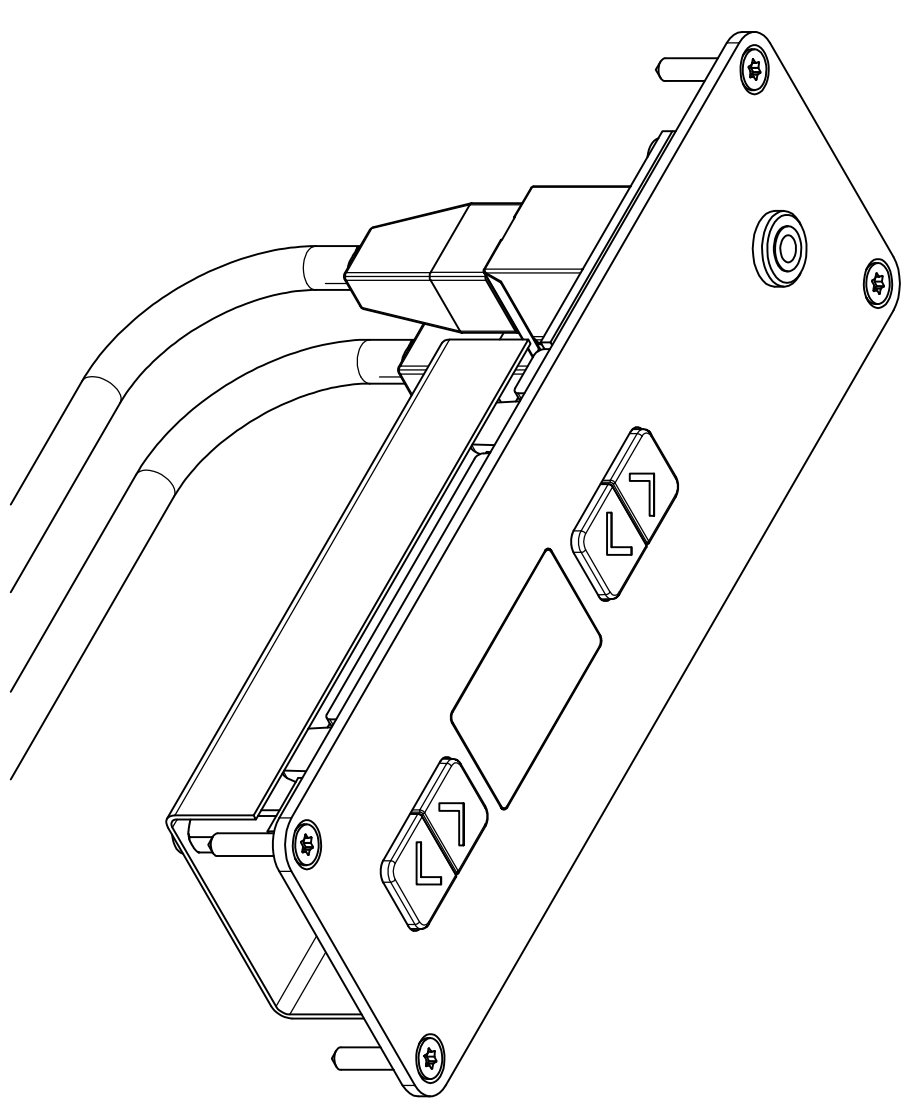
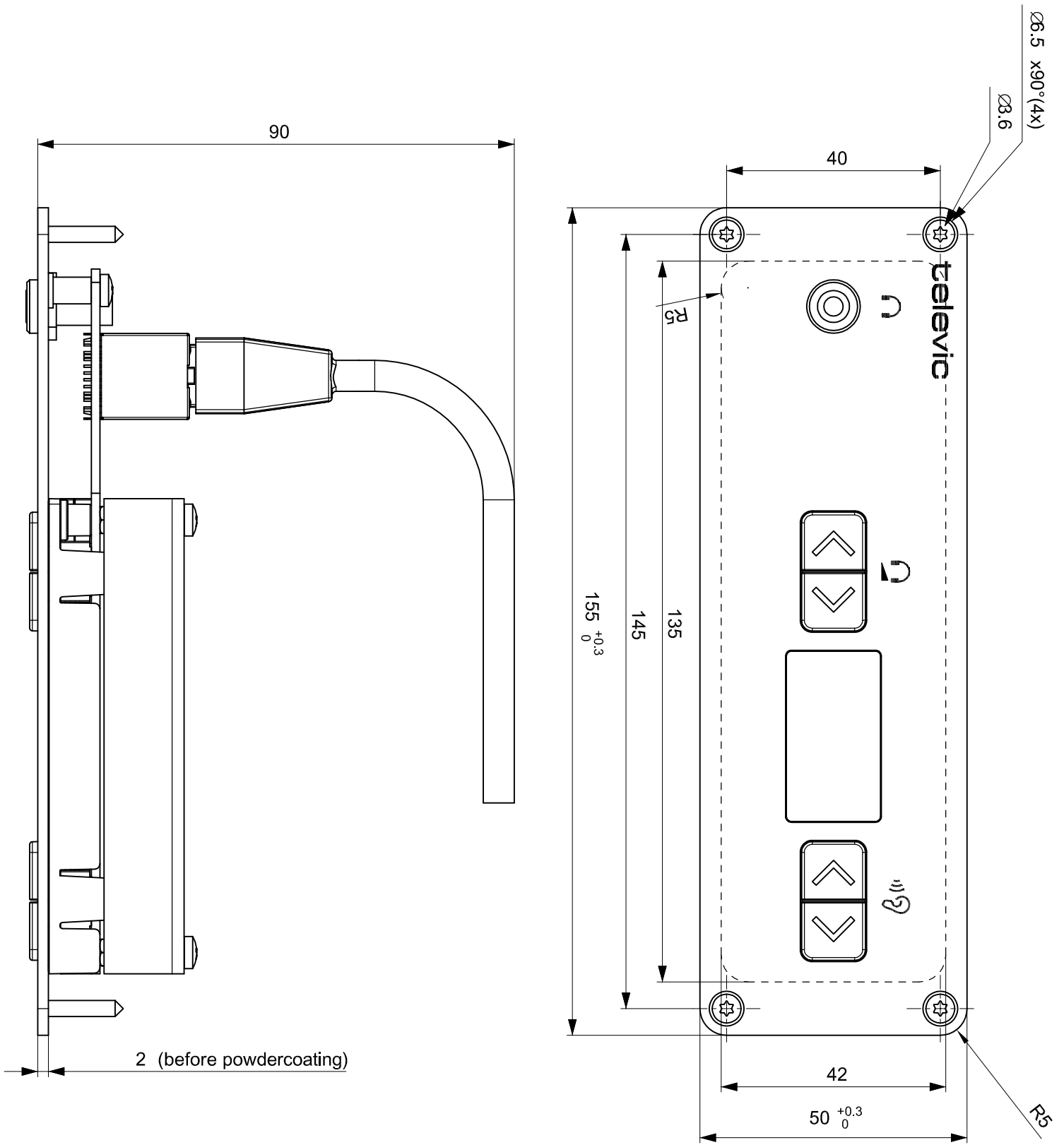


Remarks

- * material :
- fftp: steel E=2mm
- cover: hot dip galvanized steel E=0.75mm
- * painting : powder coating
- Tiger coating Carbon 01 light structured 80µm (±30µm)
- * screening : Pantone 421C

General dimensions : 155 x 50 mm R5
 Cutout dimensions: 135 x 42 mm R5
 Build in depth: 90 mm

Price applied to the specified quantity.



Revision	ECN-nr	Surface roughness	Shape and positioning tolerances	Bend tolerances	Finishing
1.01		ISO 1302	ISO 1101 / ISO 2768 - K	ISO 2768-midtle	see remarks
Linear tolerances		Shape and positioning tolerances		Bend tolerances	
ISO 2768-midtle		ISO 1302		ISO 2768-midtle	

Drawing name		Confidea F-CS	
Material		S235JR Materialnr.: 1.0037 EN 10025	

Name	Date	Drawing number	Sheet	1 of 1
Drawn by SDL	21/05/2015	71.98.0551_M07_2D_1.01	Scale	1 : 1
Approved by D BY	APPROVE DATE_APPROV ED		Format	A3

televic conference

All rights reserved. No parts of this concept may be reproduced in any form or by any means without the prior written permission of Televic.