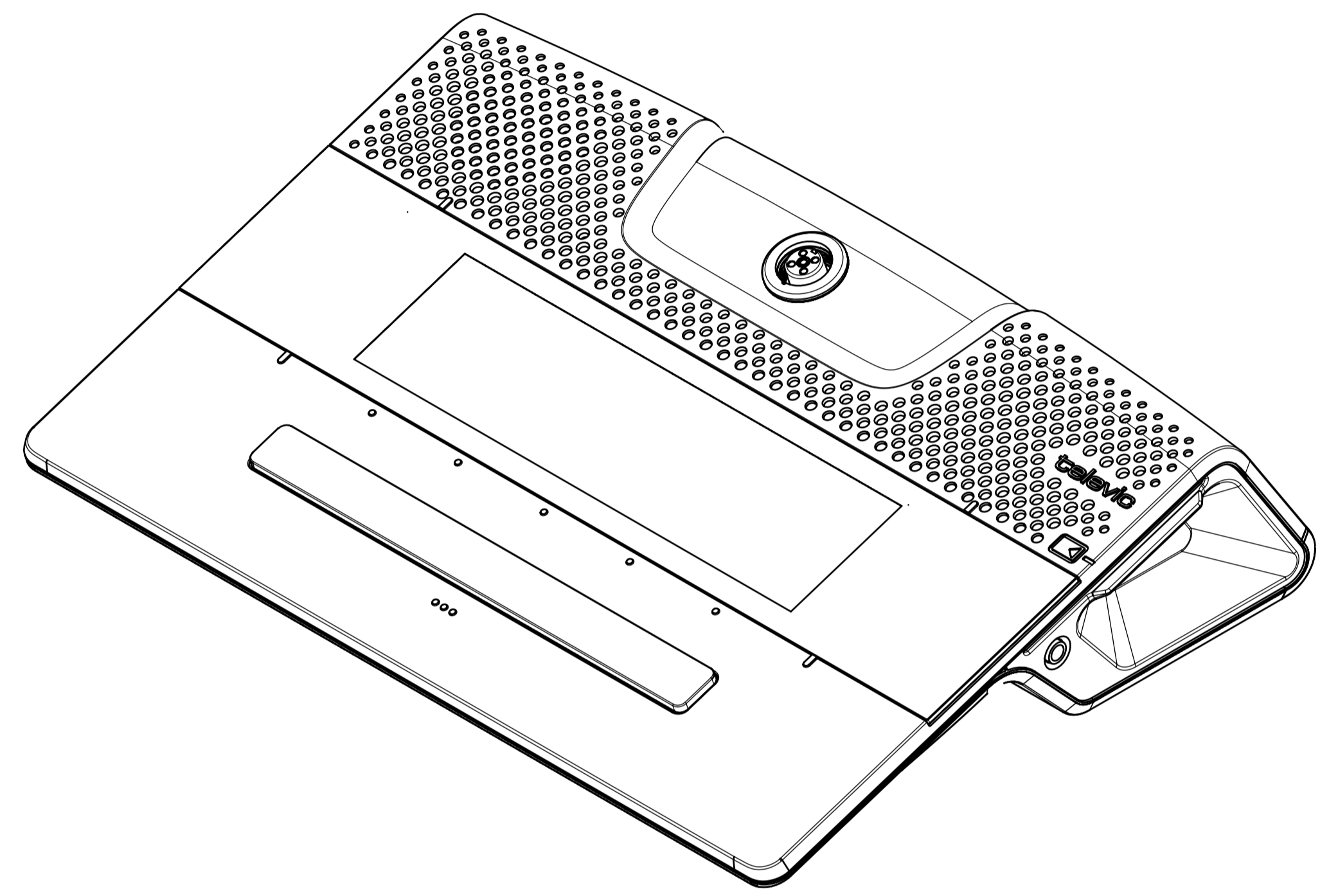
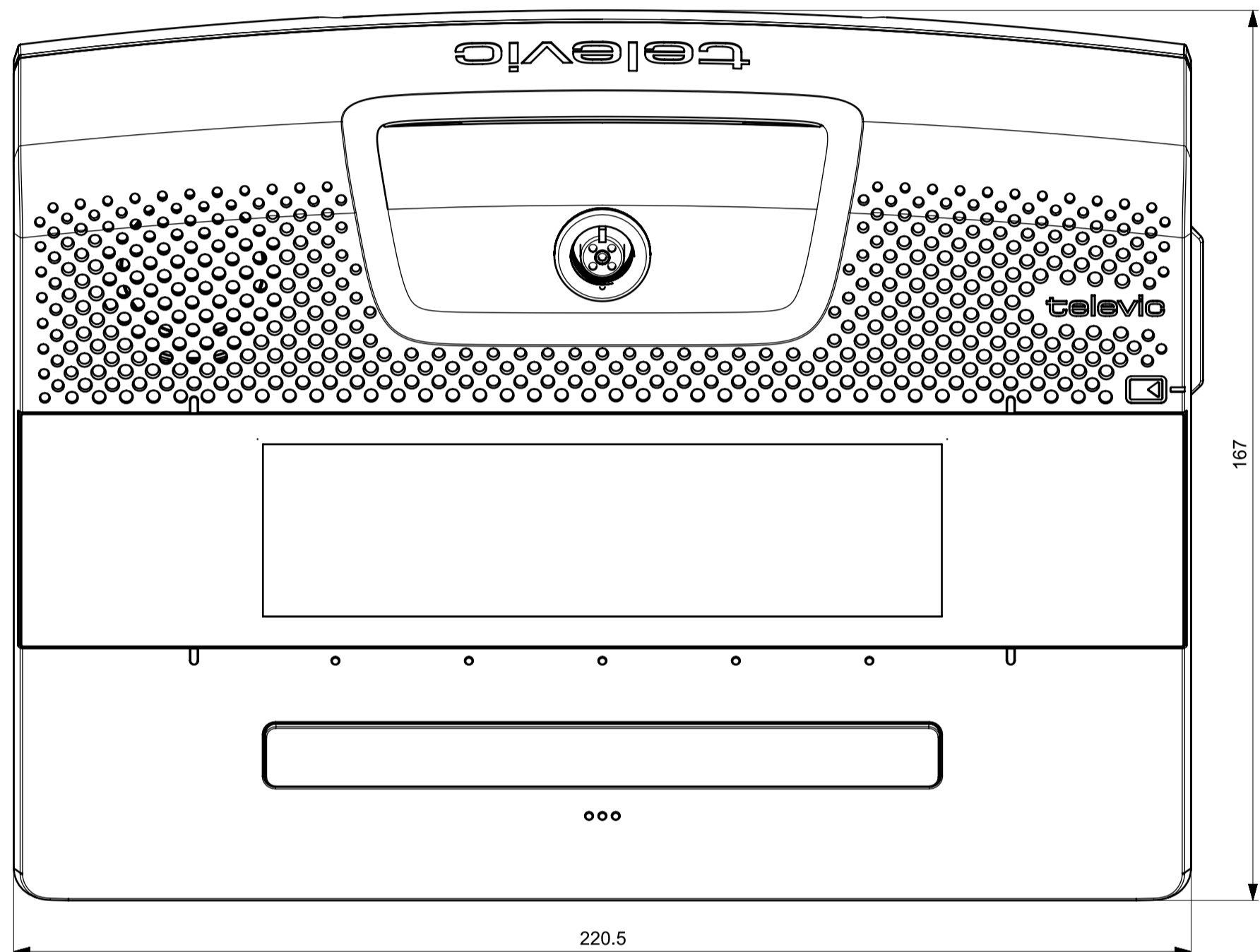
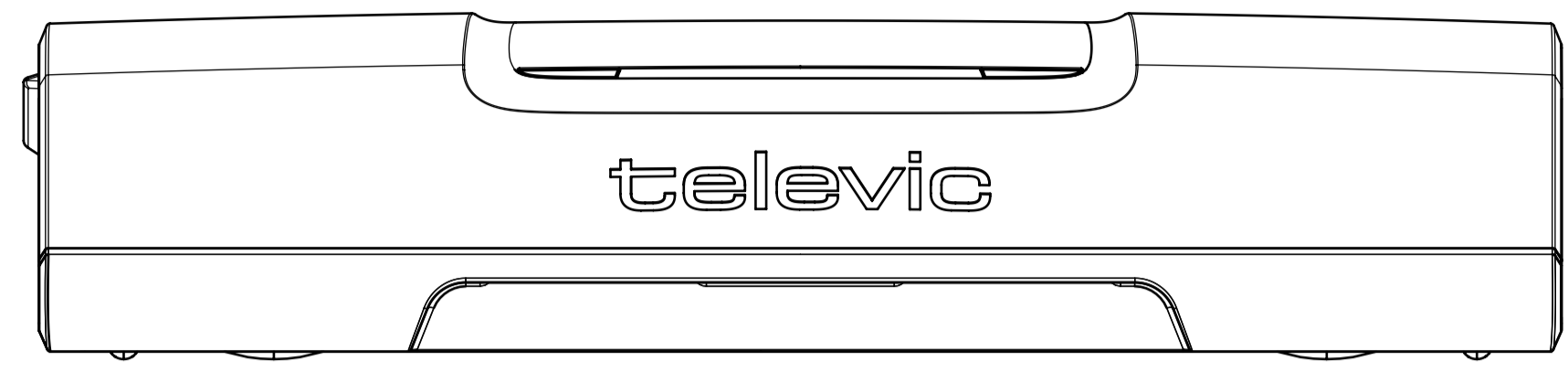
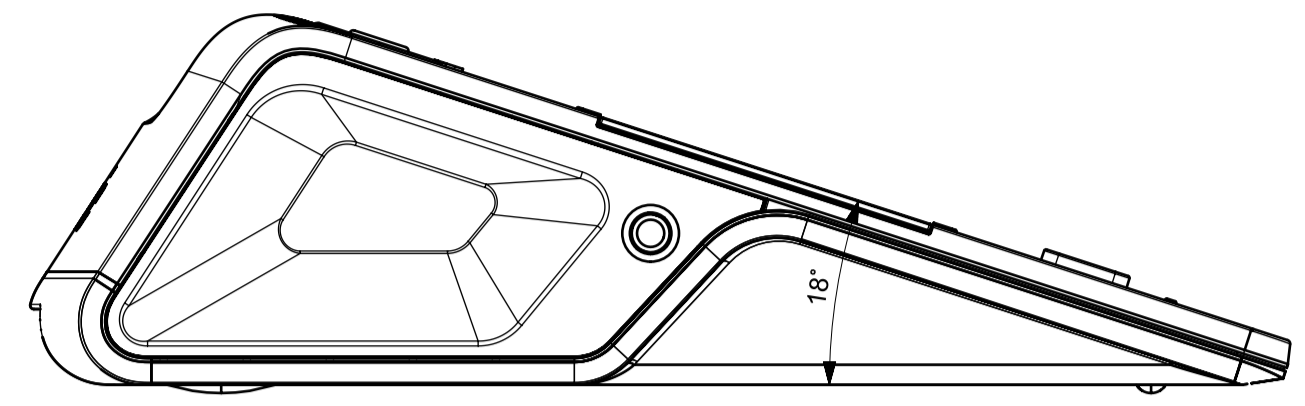
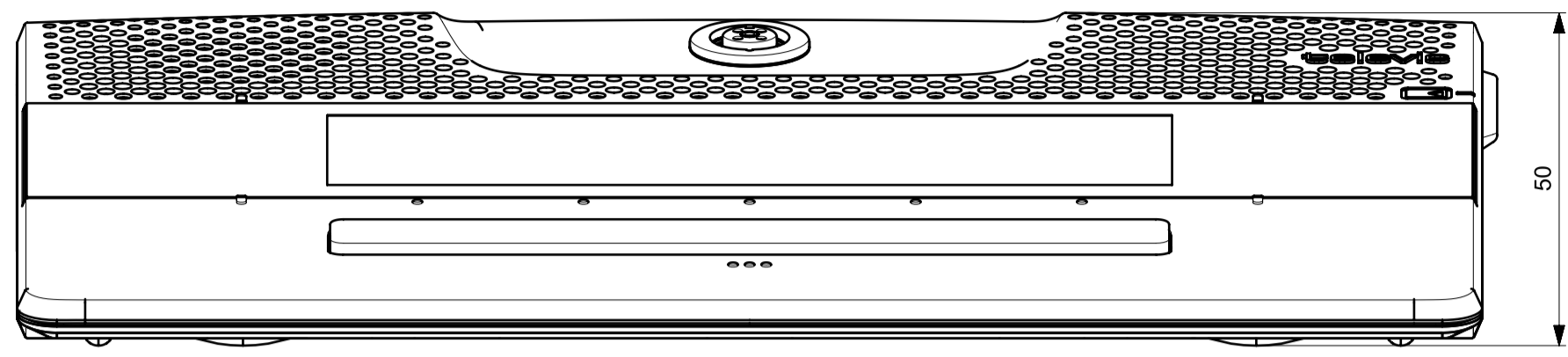
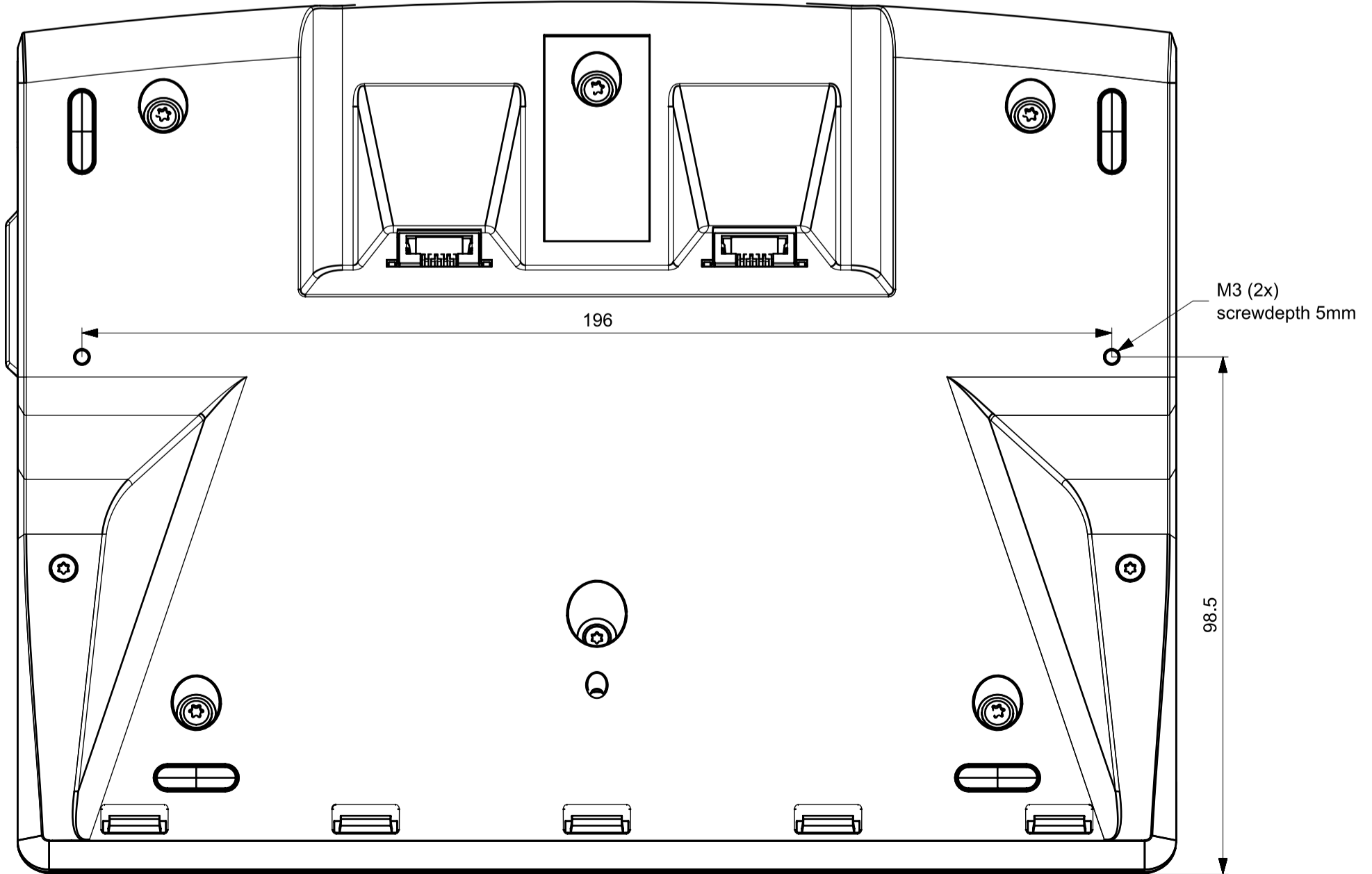


Remarks

- plastics :
 - * material : PC/ABS
 - * finishing : light textured
 - * painting : Pantone 426C
- bottomshell :
 - * material : zamak 3
 - * painting : Pantone 10101 C



fixation holes



Revision	ECN-nr	Remarks - description			Date	Name
Linear tolerances	Surface roughness	Shape and positioning tolerances	Bend tolerances	Finishing		
ISO 2768-middle	ISO 1302	ISO 1101 / ISO 2786 - K	ISO 2768-middle	-		
Drawing name					Material	
Confidea FLEX						
Drawn by	Name	Date	Drawing number		Sheet	1 of 1
Approved by	BV	10/02/2020	71.98.0131_M07_2D_0.02		Scale	1 : 1
APPROVED DATE APPROV BY					Format	A1
					All rights reserved. No parts of this concept may be reproduced in any form or by any means without the prior written permission of Televic.	