

# Unite DS-4/2

## Desktop Charger

CONFERENCE



Unite DS-4/2 - Front view



Unite DS- 4/2 - Rear view



Unite DS-4/2 with Unite transmitters and receivers (not included in the delivery)

### Description

The Unite DS-4/2 desktop charger is used for charging the batteries integrated in the in the Unite transmitters and receivers.

The desktop charger can be attached to a table top via two holes at the bottom.

The Unite DS-4/2 desktop charger provides a maximum of four charging compartments, two of them are compatible with the Unite TH handheld transmitter. The charging state of the batteries is displayed via the status indicator on the appropriate transmitter or receiver.

### Features

- » Desktop charger for Unite transmitters and receivers with 4 charging compartments – 2 of them are compatible with the Unite TH handheld transmitter
- » Power on indicator
- » 12 V DC connection for power supply unit

### Version

#### Unite DS-4/2 - Ref. 71.98.4045:

- » Cockpit desktop charger for a maximum of 4 Unite bodypack transmitters / receivers.
- » 2 of the 4 charging compartments are compatible with the Unite TH handheld transmitter.
- » Incl. power supply unit

### Supplied Accessories

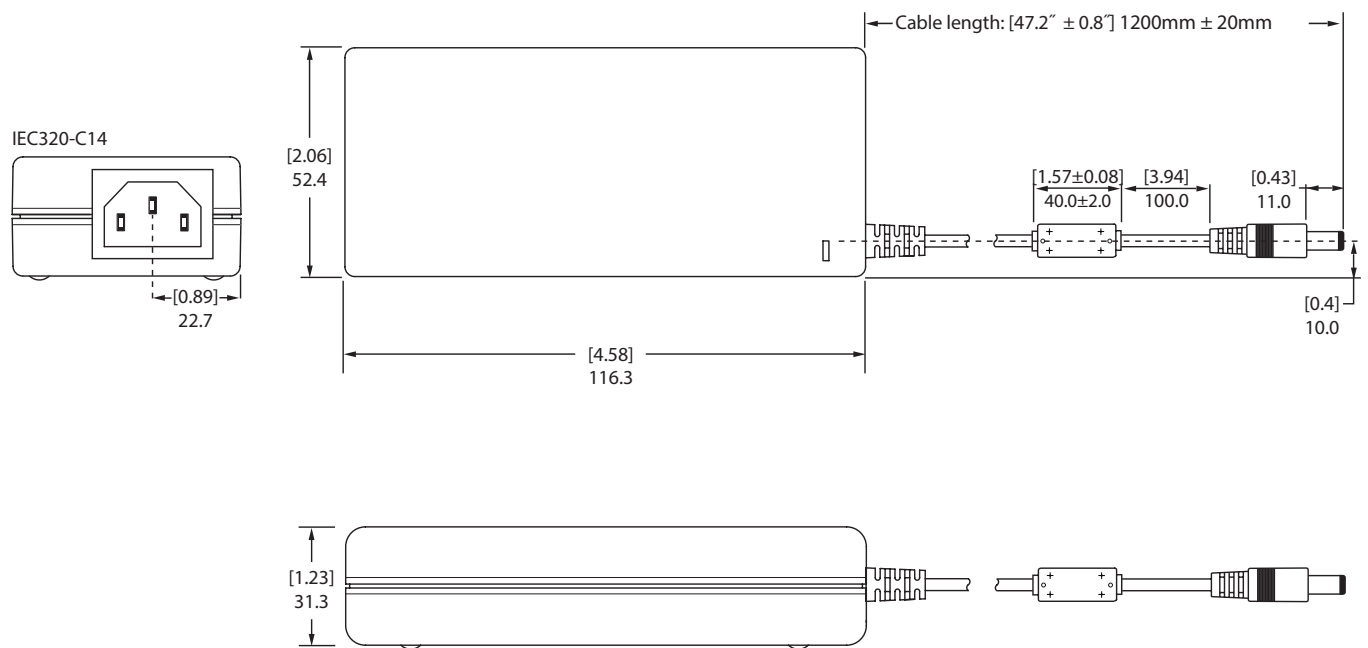
- » XP Power VET36US120C2-JA power supply unit

### Specifications

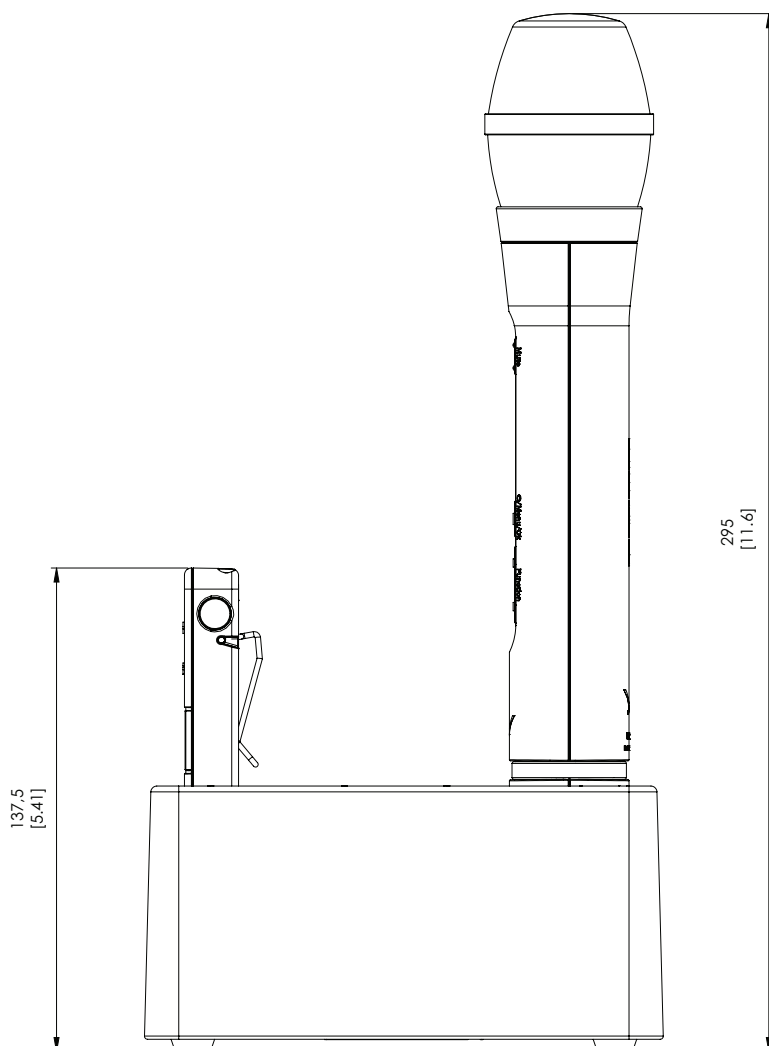
Power Supply Unit	
XP Power VET36US120C2-JA for Unite DS-4/2	
AC input	90 - 264 V, 47 - 63 Hz
Nominal current	0.8 A @ 100 V AC
Power consumption	25 W with 4 charging compartments
Output voltage	12 V DC, 3 A
Charger	
Max. charging time	Approx. 4 hrs.
Temperature range:	
• In operation	0 to +30 °C
• Storage	-20 to +50 °C
Relative air humidity	0 to 90%
Dimensions (W x H x D) incl. rubber pads	147.5 x 75.5 x 78.5 mm
Weight	530 g
Charging compartments	4 of which are 2 combined charging compartments for handheld / bodypack devices

Dimensions in mm and [inches]

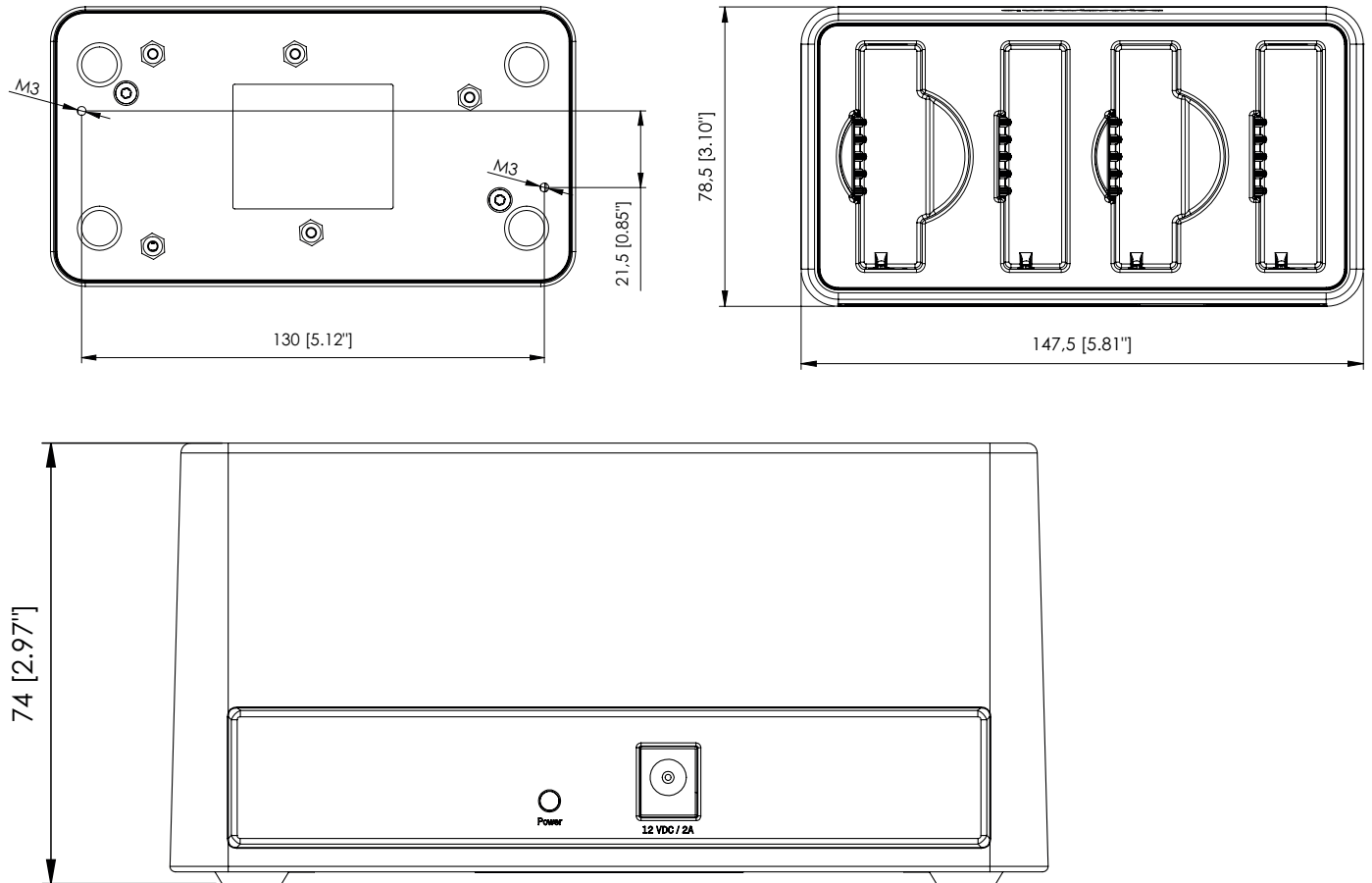
Power supply unit:



Charger with Unite devices:

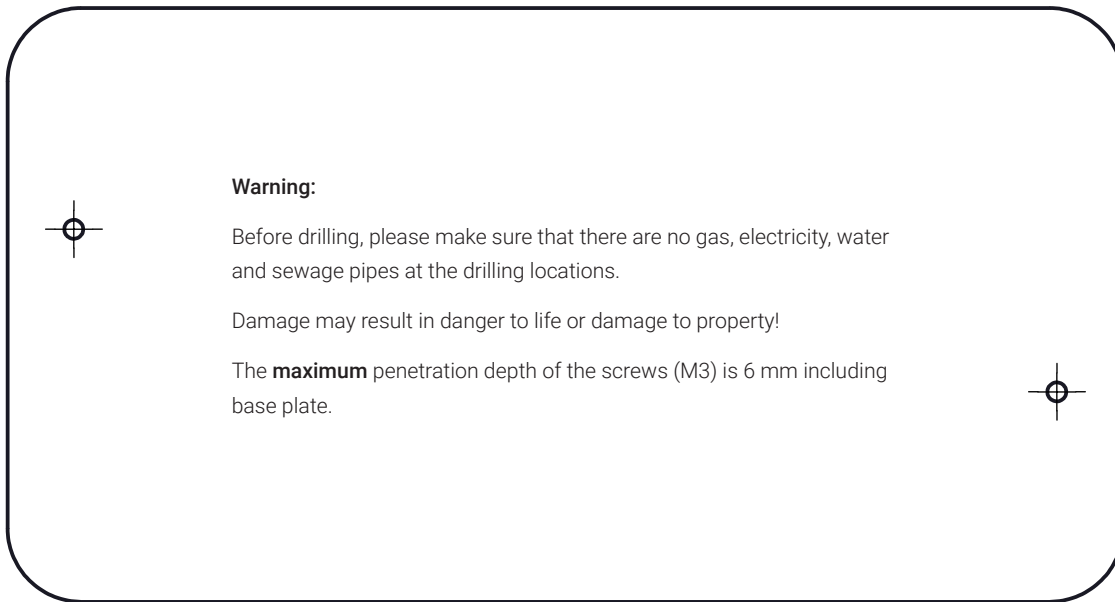


Charger without devices:



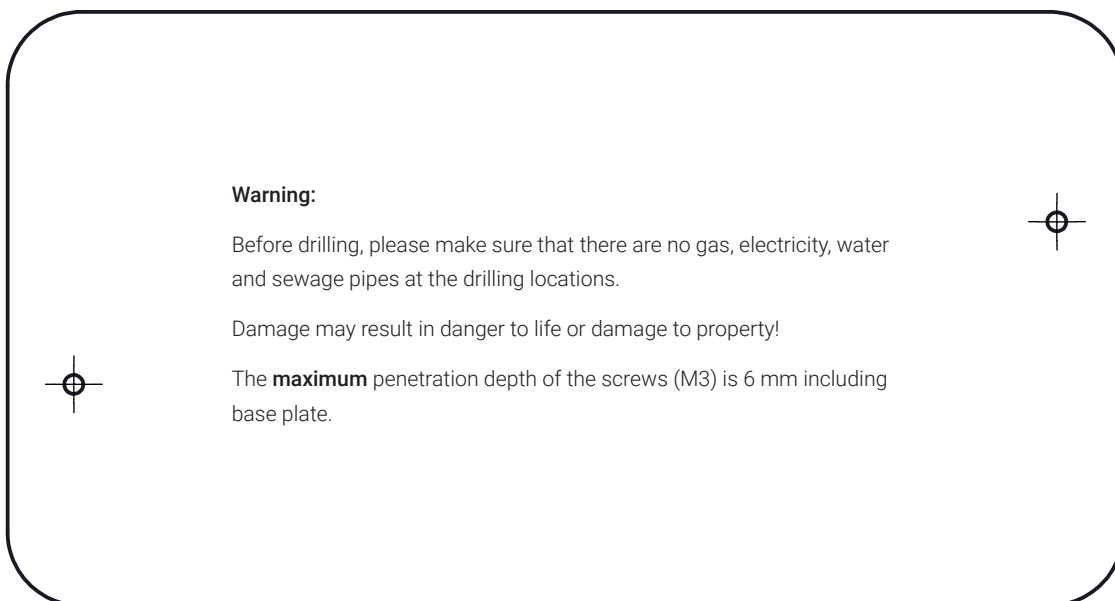
## Drilling Template

**Bottom view of the device:** outer edges are the external dimensions of the charger. The template is rotationally symmetrical. Scale 1 : 1



Rear of the device (connections)

**Top view of the device:** outer edges are the external dimensions of the charger. The template is rotationally symmetrical. Scale 1 : 1



Rear of the device (connections)

### HQ Belgium

+32 51 30 30 45

conference@televic.com

<https://www.televic.com/en/conference>

### Asia

+86 21 61 48 01 23

conference@televic.com

[www.televic-conference.com.cn](http://www.televic-conference.com.cn)

### France

+33 3 74 09 52 76

conference-france@televic.com

[www.televic-conference.fr](http://www.televic-conference.fr)

### United States

+1 916 920 0901

conference-us@televic.com

All information copyright Televic Conference, 2023.

Televic reserves the right to change this document without notice.

Version 1.0