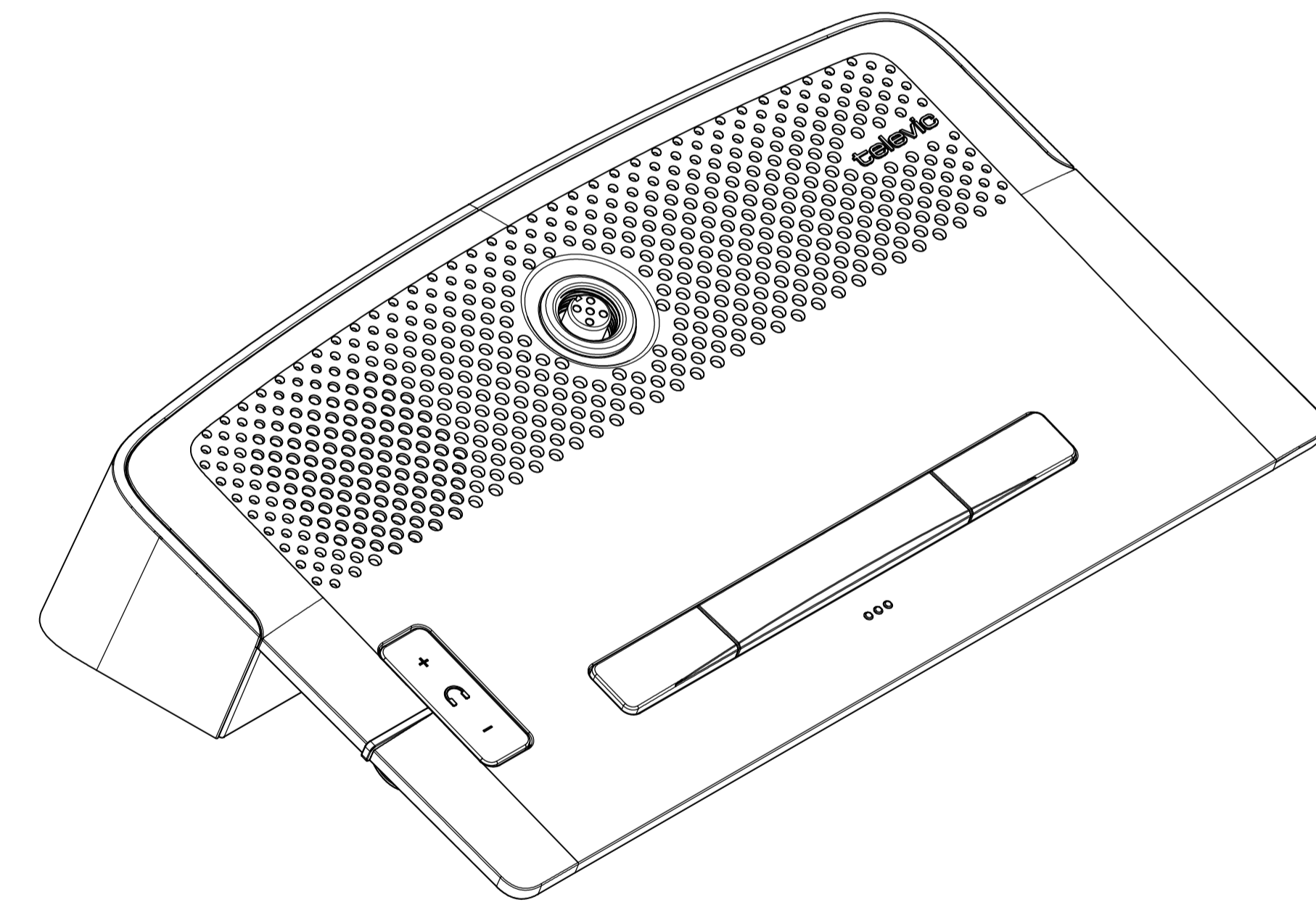
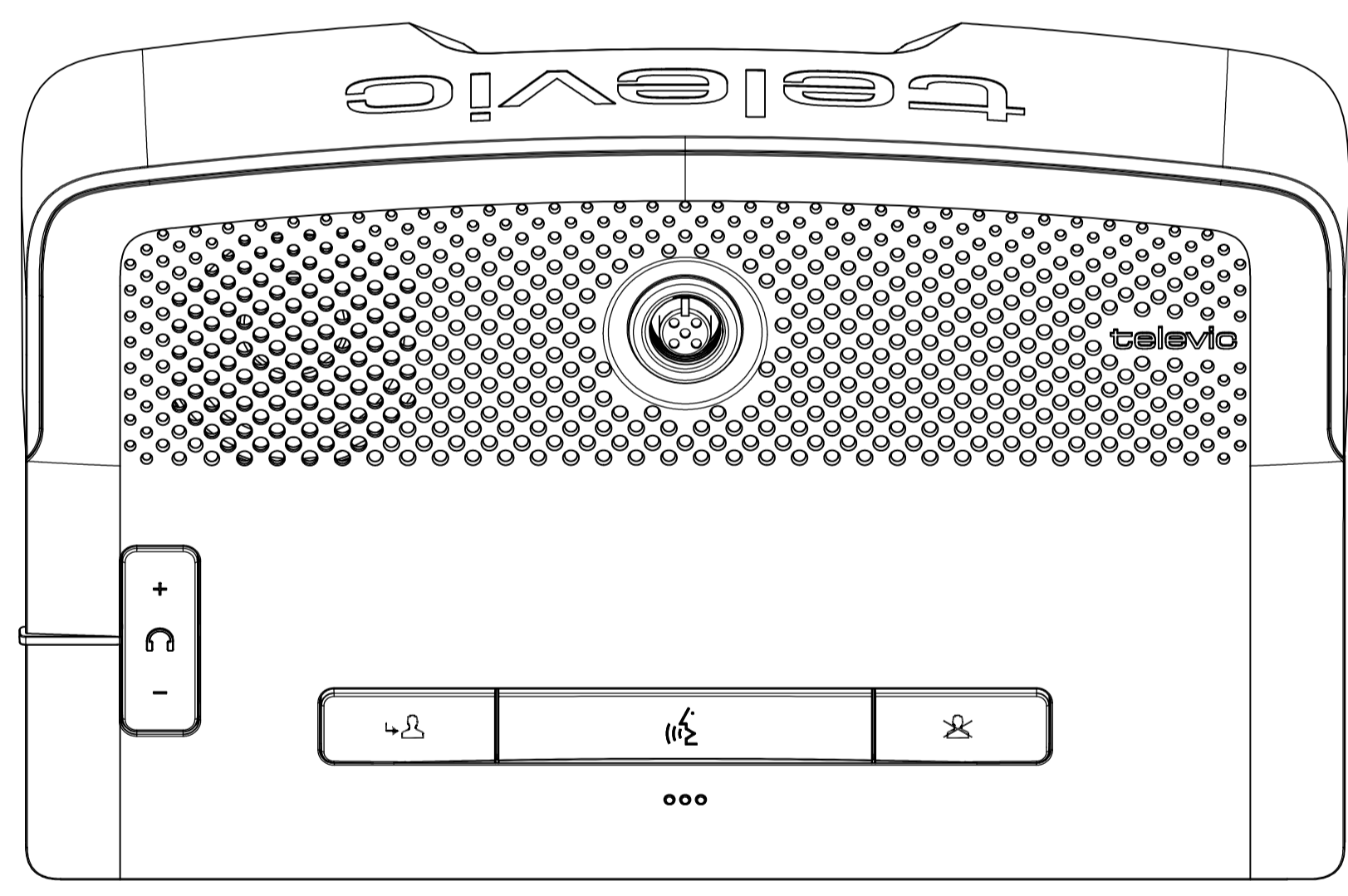
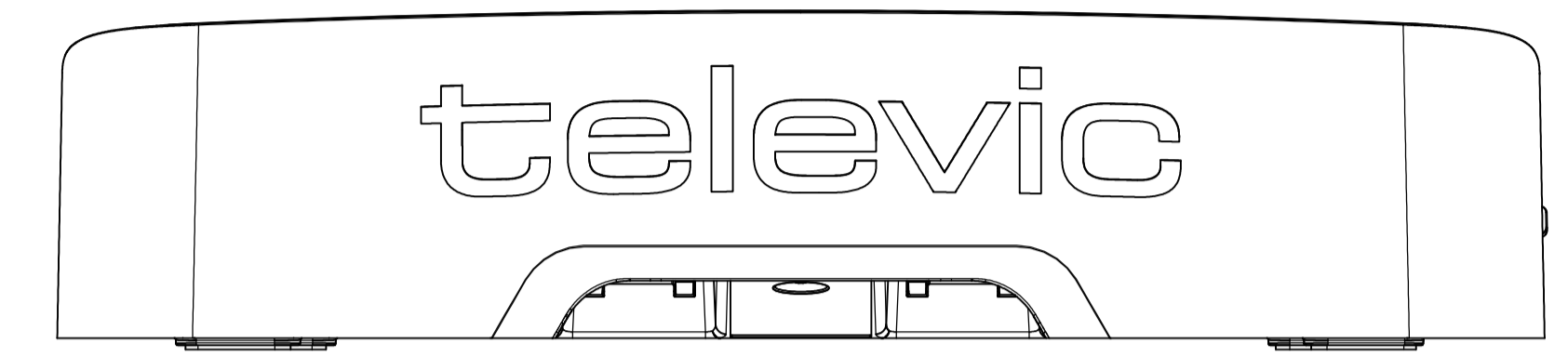
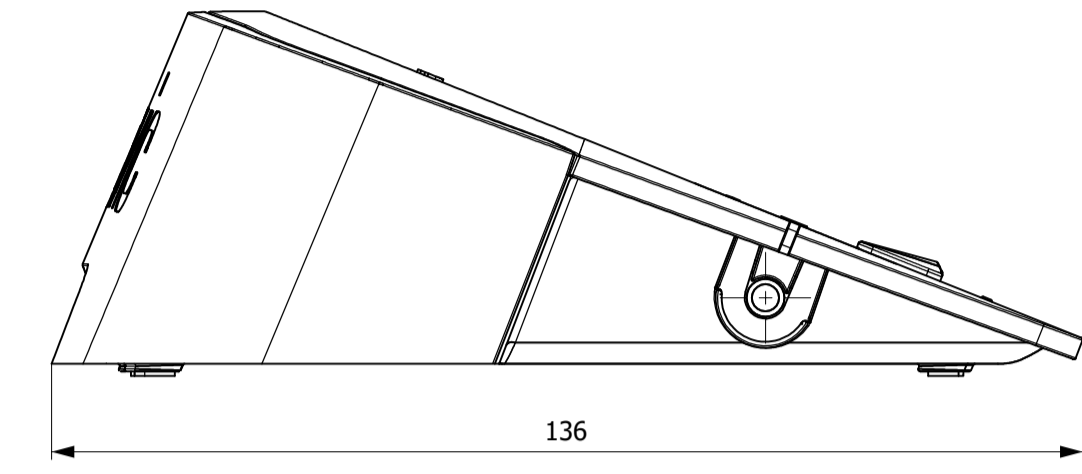
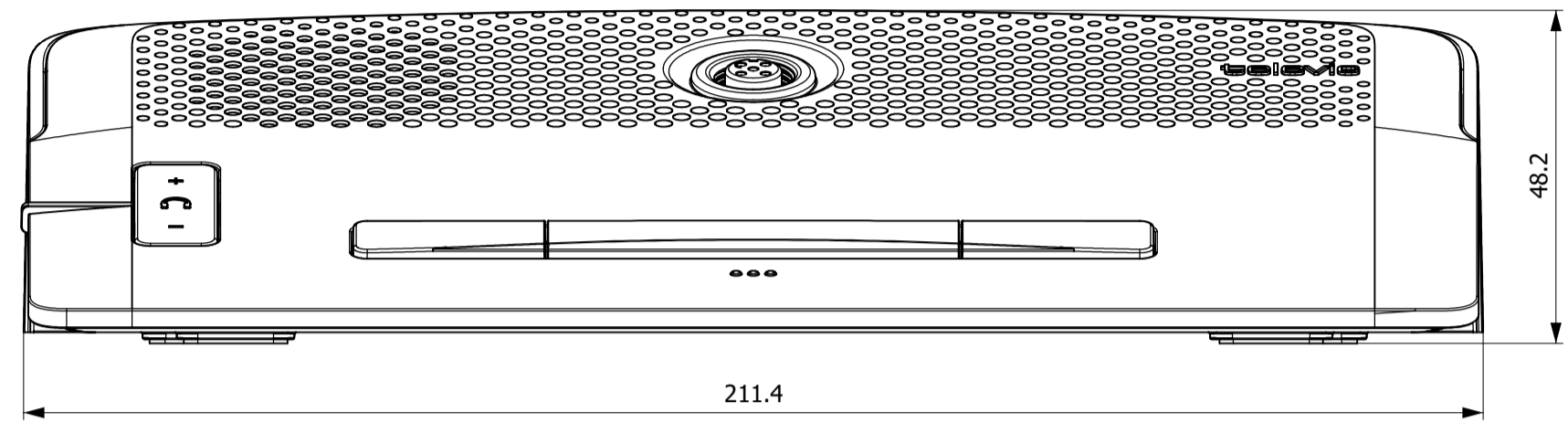


Remarks
 material : PC/ABS and zamak 3
 finishing :
 * Pantone 426 C light structured
 * Pantone 8401 C mirror polished



Revision	ECN-nr	Remarks - description			Date	Name
Linear tolerances	Surface roughness	Shape and positioning tolerances	Bend tolerances	Finishing		see remarks
ISO 2768-middle	ISO 1302	ISO 1101 / ISO 2766 - K	ISO 2768-middle			Material
Drawing name						see remarks
D-CERNO SL CHAIRMAN						
Drawn by	Name	Date	Drawing number		Sheet	1 of 1
BV		09/04/2018	71.98.0307_M07_2D_0.03		Scale	1 : 1
Approved by	APPROVE BY	DATE APPROV BY	unit : mm	Format		AI
<small>All rights reserved. No parts of this concept may be reproduced in any form or by any means without the prior written permission of Televic.</small>						