

# Confidea F-DI Mike

## Confidea Flushmount Delegate Interpretation Unit



### Description

The Confidea F-DI Mike is Televic's delegate panel for discussion systems, with an integrated speaker and simultaneous interpretation.

Its small form factor, housed in an elegant casing, permits a minimalistic integration into any meeting room furniture. The integrated speaker creates a distributed sound field in the meeting room, increasing intelligibility without the need for an additional room sound system.

The panel has a microphone connector to fit the new push-and-lock Mike microphone that reduces setup time. A 3.5 mm jack socket is available to connect headphones or a hearing loop for the hearing impaired. For simultaneous interpretation, the panel has a channel selector and headphones volume adjustment.

The information display shows the channel number & ISO code of the selected language and the volume setting. The chairperson version of this panel has additional controls (see Confidea F-CI Mike 71.98.0543).

### Benefits

The Confidea F-DI Mike is a sleek and discreet solution that is perfectly suited to conference rooms without an existing sound system. The ability to connect headphones provides accessibility for the hearing impaired. The clear and easy channel selector allows for user-friendly simultaneous interpretation conferences.

The unit is available in a variety of custom colors, sizes and finishes to blend in neatly in any environment. The Confidea F-DI Mike is backed by the Plixus® network and redundant cabling to ensure maximum reliability. Finally, its shielded microphone is immune to mobile phone interference.

### Features

- » Basic discussion function
- » Interpretation function
- » Tactile microphone push button with integrated LED
- » Headphone volume adjustment
- » Language channel selector
- » Channel information display
- » Integrated loudspeaker
- » Rounded corners for easy installation
- » Trademark natural Televic Sound
- » Available in custom colors, sizes, finishes

### Connectivity

- » Push & Lock socket to connect a removable microphone:
  - Mike LPM 71.98.0091
  - Mike PLM301F 71.98.0093
  - Mike PLM401F 71.98.0094
  - Mike PLM502F 71.98.0095
  - Mike PLM602F 71.98.0096
  - Mike PLM402F 71.98.0098
  - Mike PLM40FF 71.98.0099
- » Two RJ 45 connectors for loop through cabling
- » 3.5 mm stereo jack socket for headphones
- » Plixus-powered

## Software

To fully configure, manage, and use the unit, Televic's CoCon management software is required. The following standard licenses are available:

- » CoCon Discussion 71.98.1101
- » CoCon Signage 71.98.1102
- » CoCon Interpretation 71.98.1107

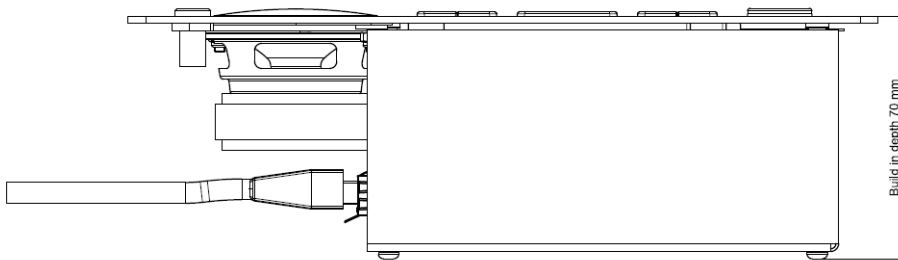
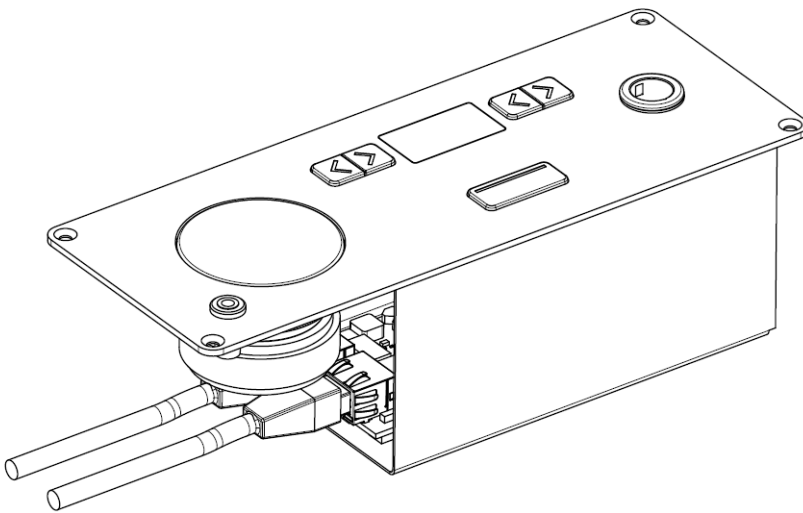
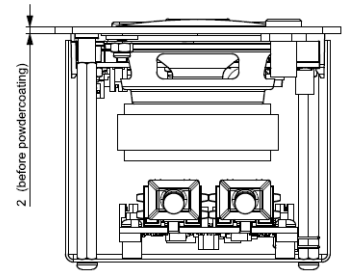
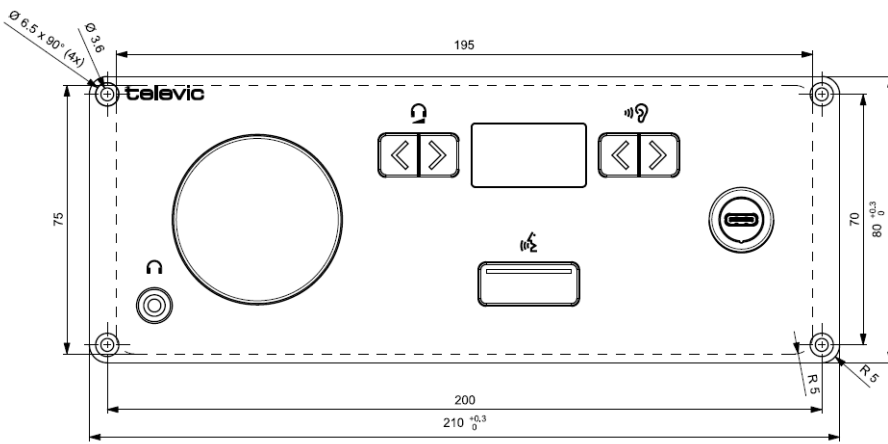
## Specifications

| Mechanical           |                            |
|----------------------|----------------------------|
| Material             | Steel                      |
| Color                | Tiger coating Carbon 01    |
| Size (mm)            | 210 (w) × 80 (h) × 70 (d)  |
| Size packed (mm)     | 250 (w) × 120 (h) × 85 (d) |
| Weight               | 740 g                      |
| Weight packed        | 860 g                      |
| Electrical           |                            |
| Voltage              | 48 VDC                     |
| Current consumption  | 4 W                        |
| Speaker Output       |                            |
| Maximum output power | > 1 W                      |
| Frequency response   | 200-20,000 Hz              |
| Dynamic range        | > 90 dB                    |
| THD @ nominal level  | < 0.1%                     |
| Load impedance       | 8 Ω                        |
| Headphone Output     |                            |
| Maximum output       | > 10 mW                    |
| Frequency response   | 22-22,000 Hz               |
| Dynamic range        | > 90 dB                    |
| THD @ nominal level  | < 0.1%                     |
| Load impedance       | 16-32 Ω                    |
| Microphone Input     |                            |
| Dynamic range        | > 90 dB                    |
| Frequency response   | 20-20,000 Hz               |
| THD @ nominal level  | 0.1%                       |
| Display              |                            |
| Display type         | OLED                       |
| Resolution           | 128 x 64                   |
| Character height     | 5 mm                       |

## Certification

| Region | Certification |
|--------|---------------|
| Europe | CE            |

# Technical Drawings



## HQ Belgium

+32 51 30 30 45

conference@televic.com

<https://www.televic.com/en/conference>

## Asia

+86 21 61 48 01 23

conference@televic.com

[www.televic-conference.com.cn](http://www.televic-conference.com.cn)

## France

+33 3 74 09 52 76

conference-france@televic.com

[www.televic-conference.fr](http://www.televic-conference.fr)

## United States

+1 916 920 0901

conference-us@televic.com

All information copyright Televic Conference, 2024.

Televic reserves the right to change this document without notice.

Version 1.1

