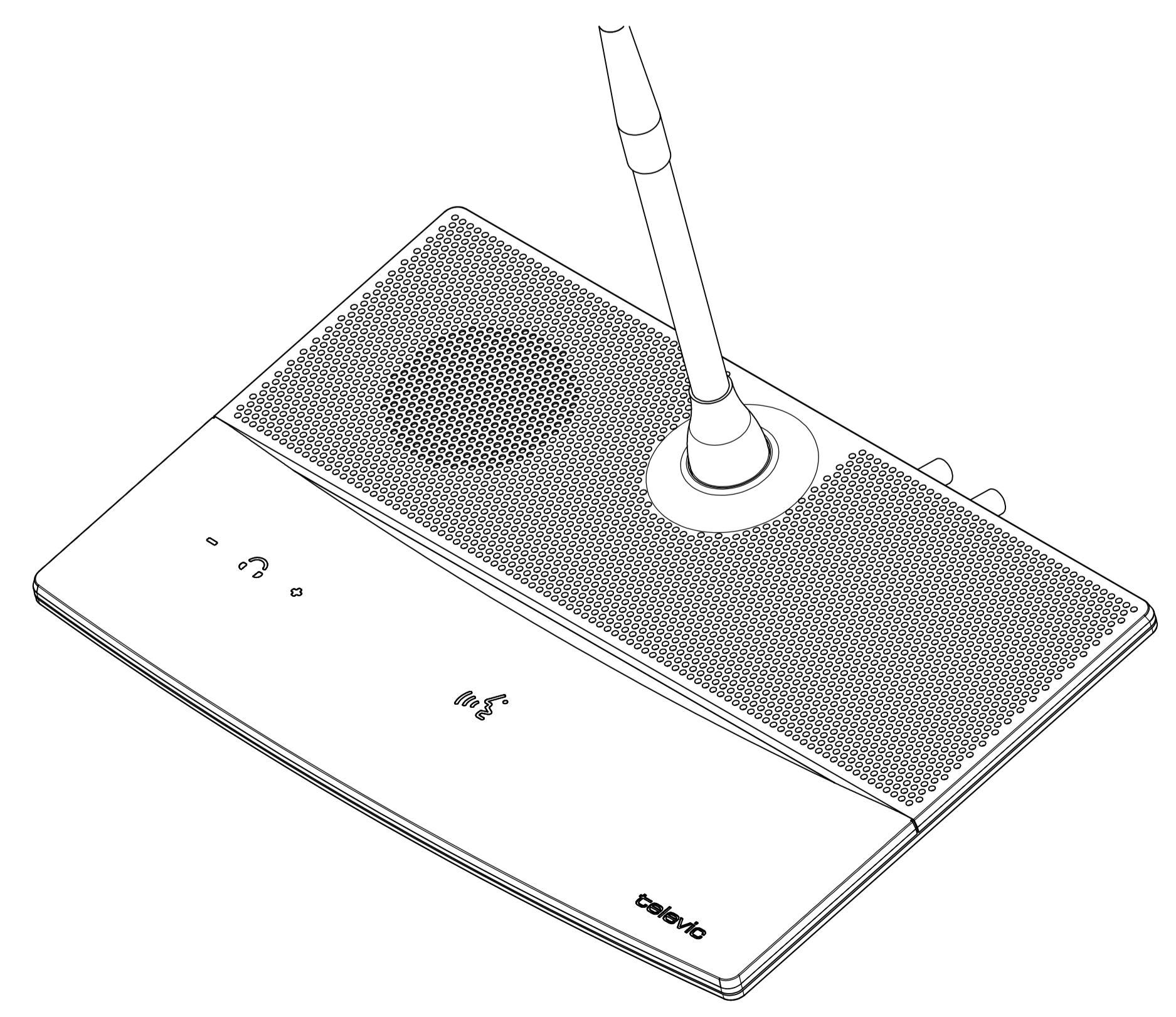
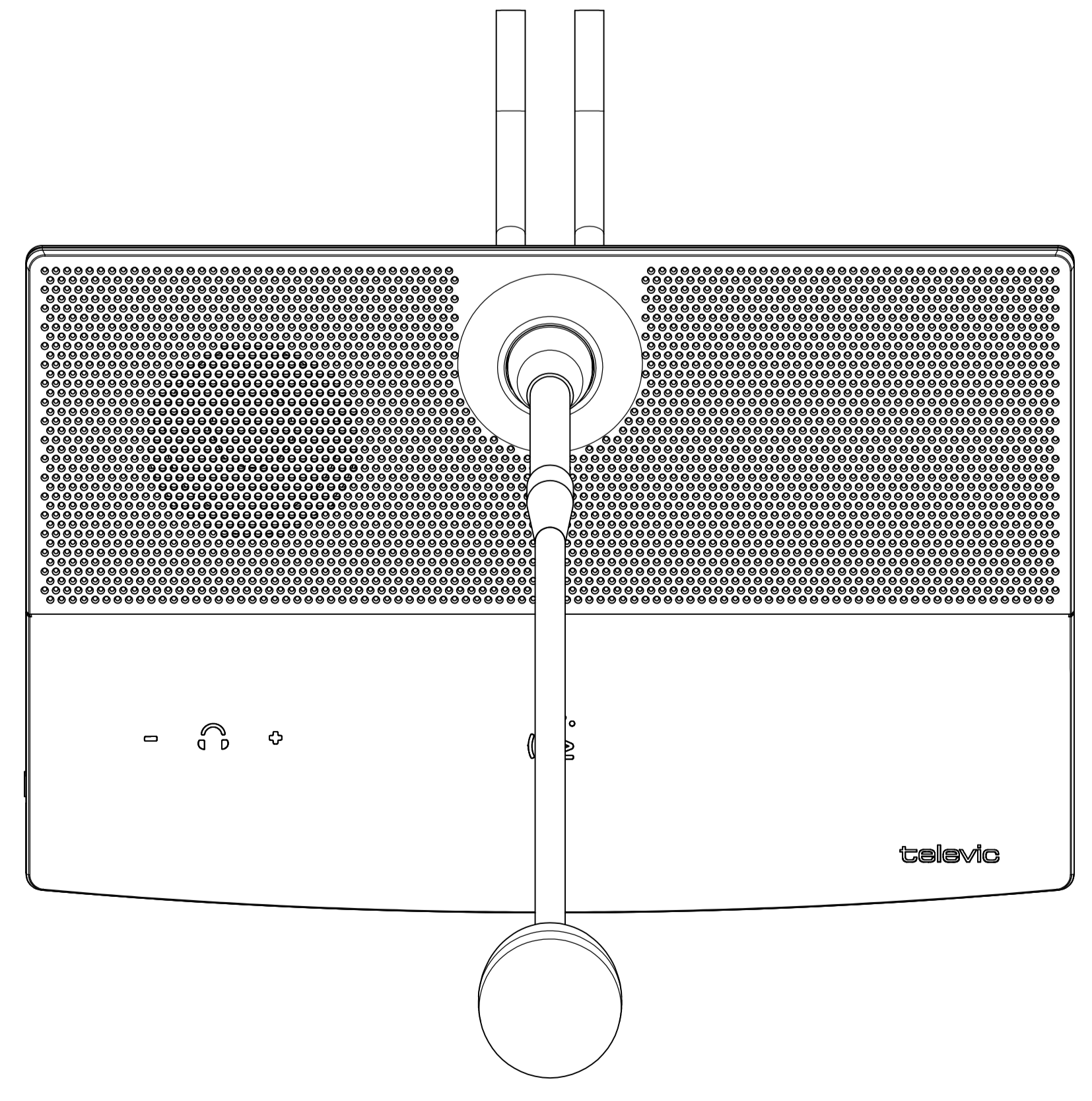
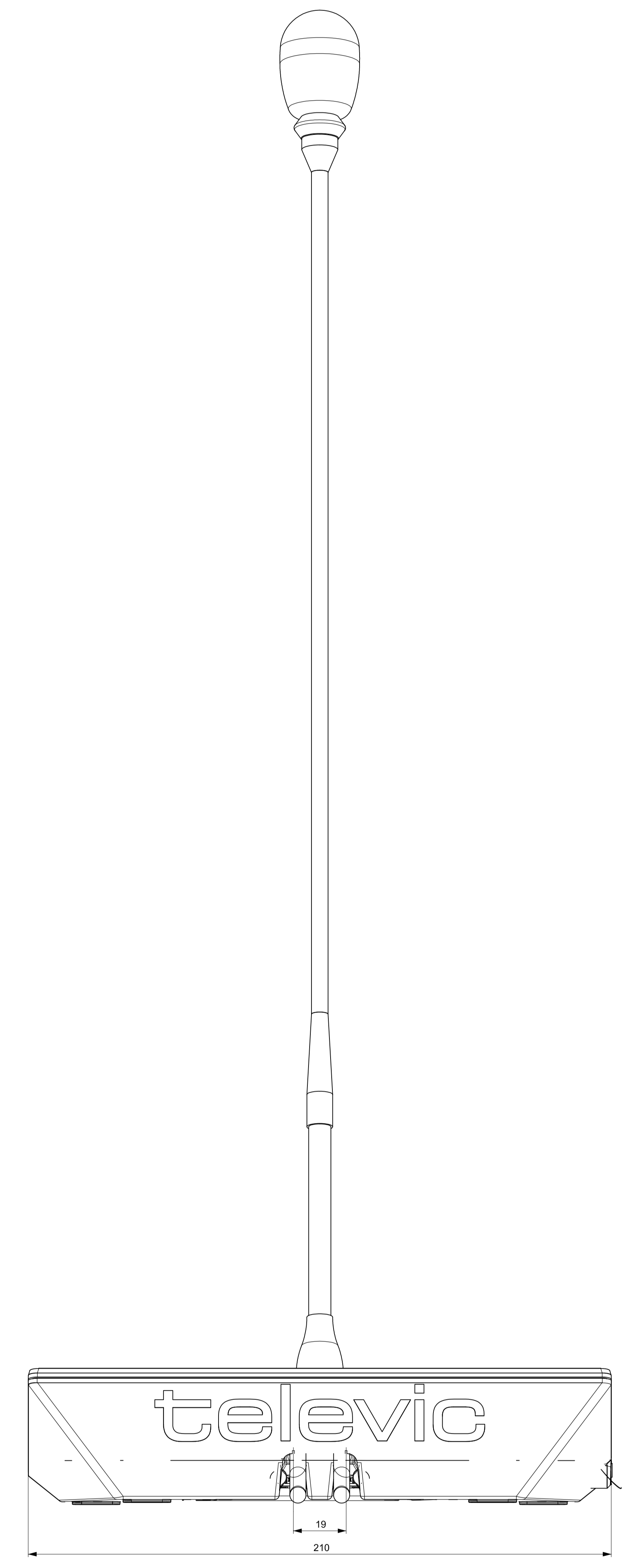
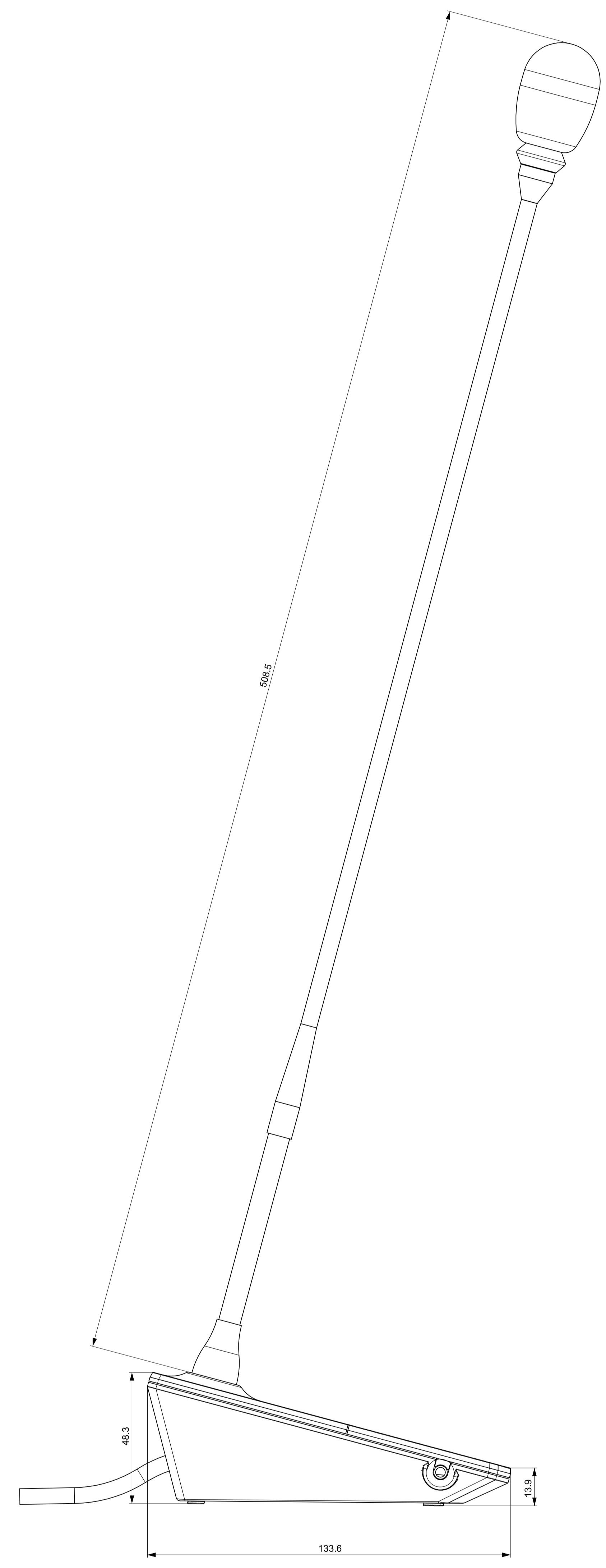
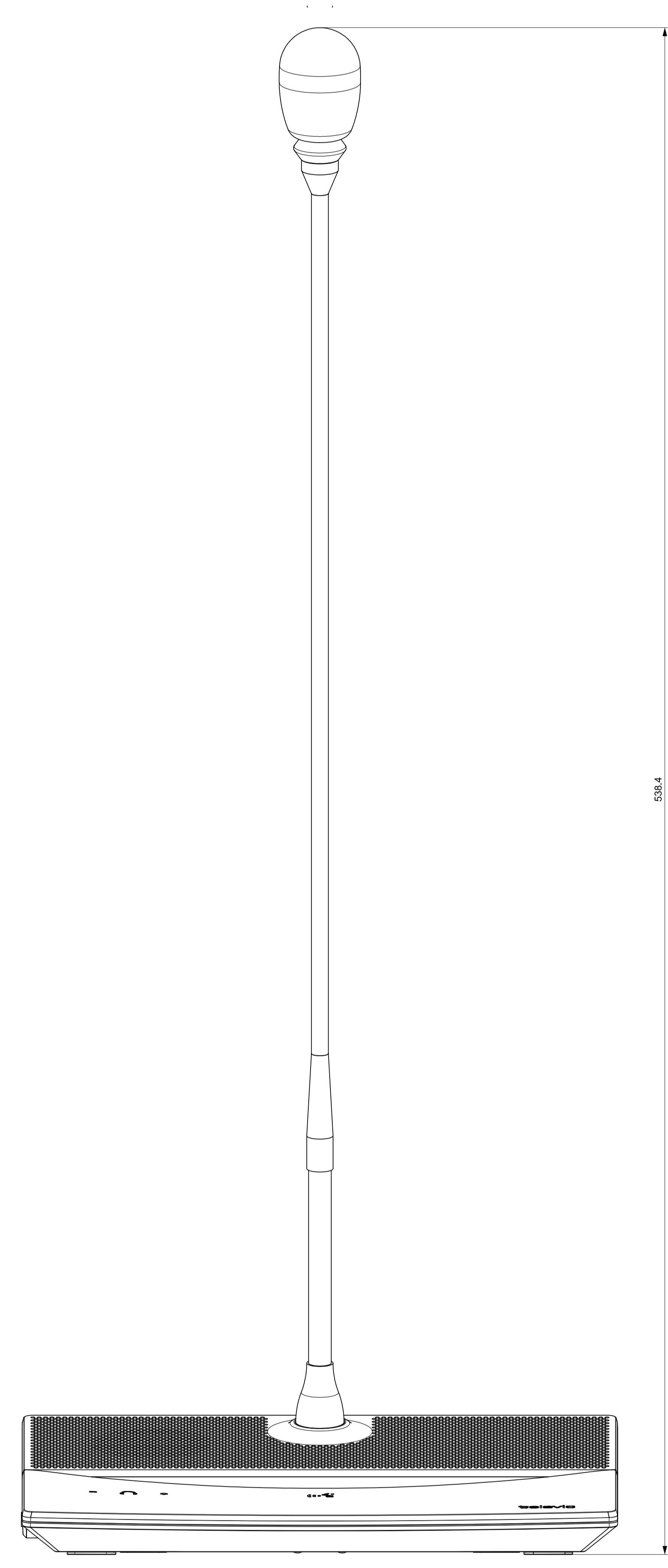
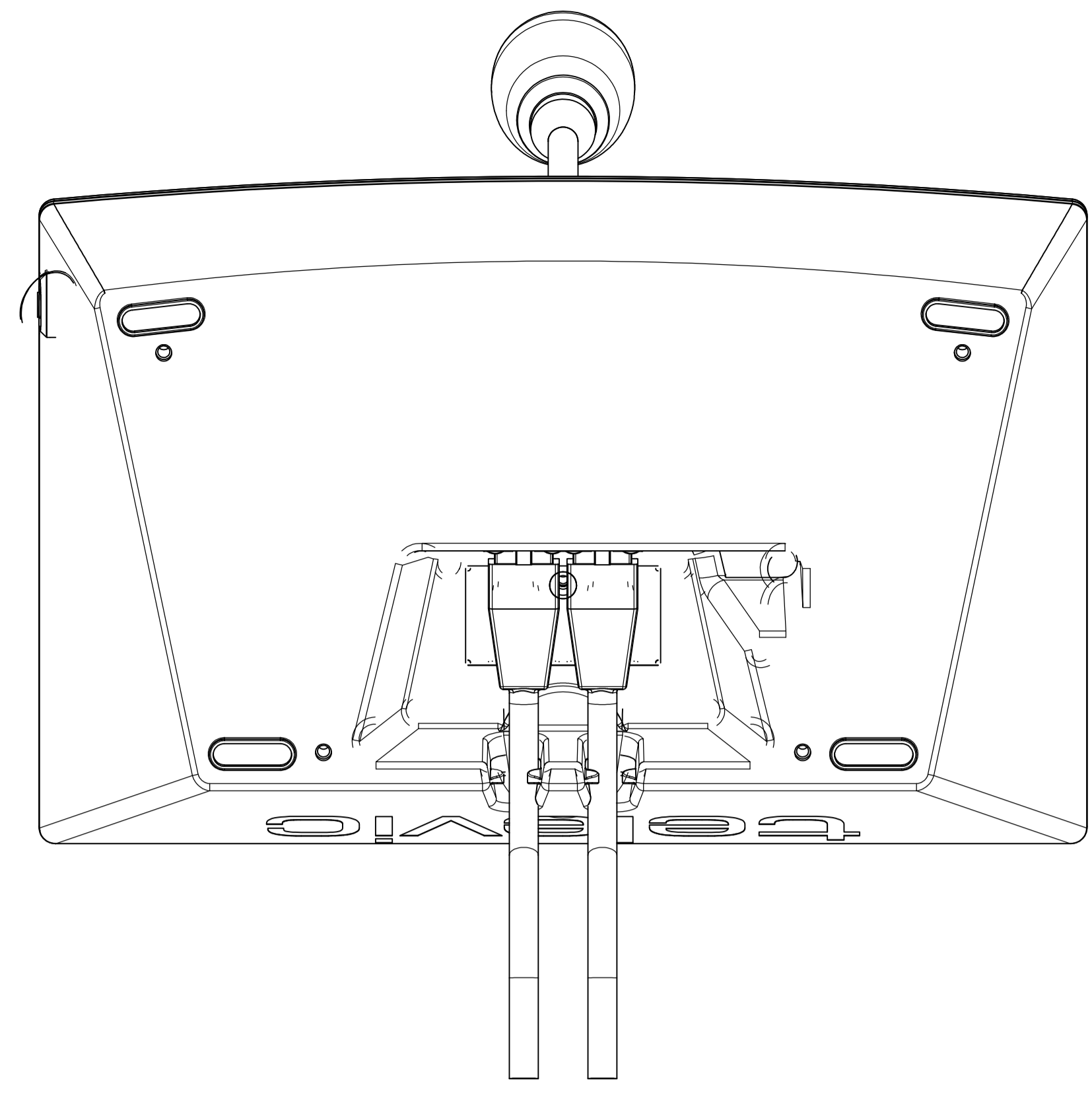


Remarks
 Material: PC / ABS
 BLACK
 Dimensions: 210x135x50mm
 Mic length: 500mm
 Price applied to the specified quantity.



| Revision | EC/Rev | Remarks - description | Drawn | Name |
|----------|--------|-----------------------|-------|------|
| 1 | | | | |
| 2 | | | | |
| 3 | | | | |
| 4 | | | | |
| 5 | | | | |
| 6 | | | | |
| 7 | | | | |
| 8 | | | | |
| 9 | | | | |
| 10 | | | | |
| 11 | | | | |
| 12 | | | | |

| Linear tolerances | Surface roughness | Shape and positioning tolerances | Geod. tolerances | Finishing |
|-------------------|-------------------|----------------------------------|------------------------|-------------|
| ISO 2768-mS-A | ISO 1302 | ISO 1101 ISO 2768 - M | ISO 2768-mS-B | see remarks |
| Drawing name | D-Cerno DL | | | Material |
| Drawn by | Name | Date | Drawing number | Sheet |
| APR/2014 | ADN | 20/03/2014 | 71.98.0303_M07_2D_0.01 | 1 of 1 |
| Approved by | Unit | Unit | Scale | 1:1 |
| | televic | conference | Format | A3 |

All rights reserved. No part of this concept may be reproduced in any form or by any means without the prior written permission of Televic.