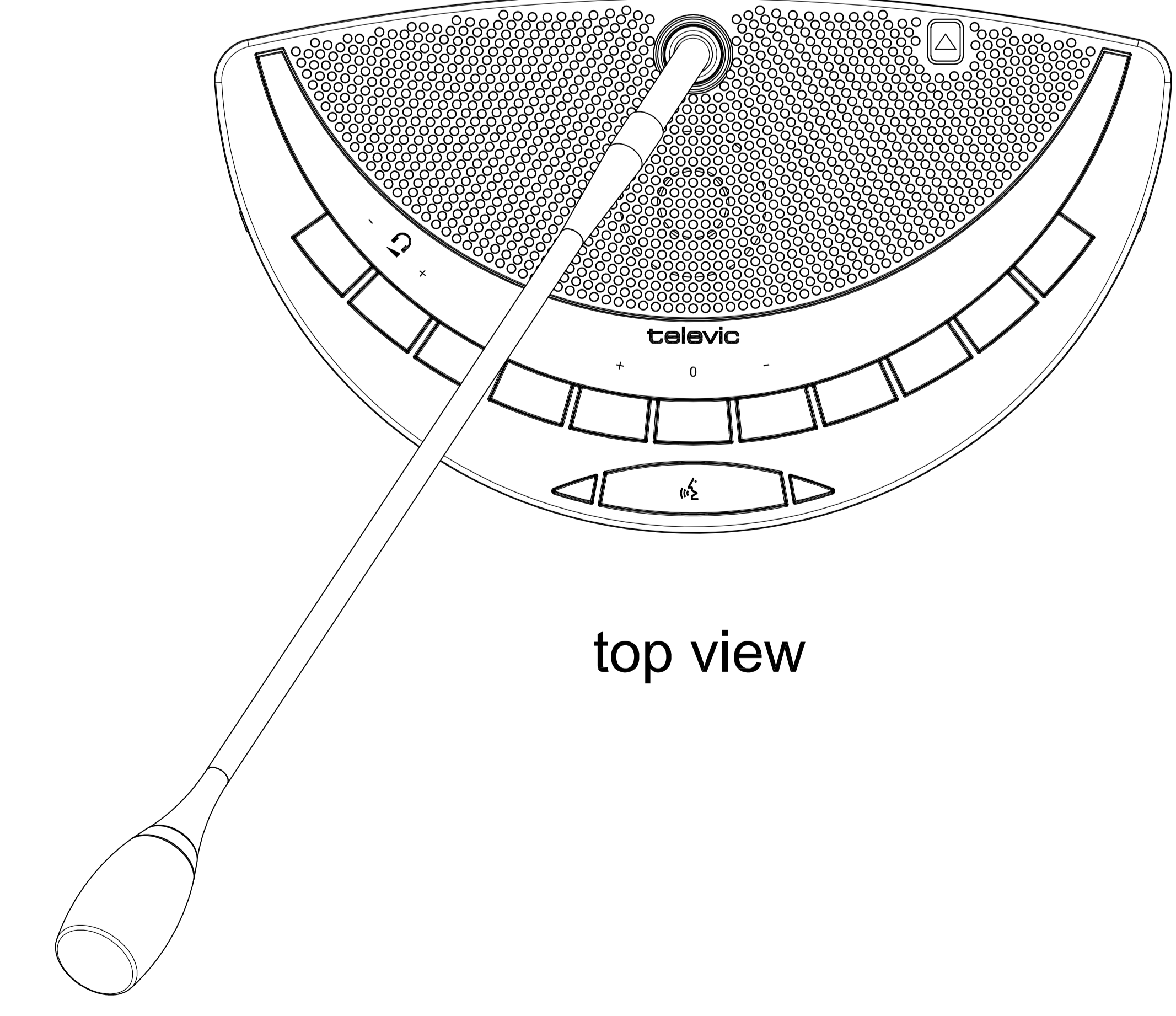
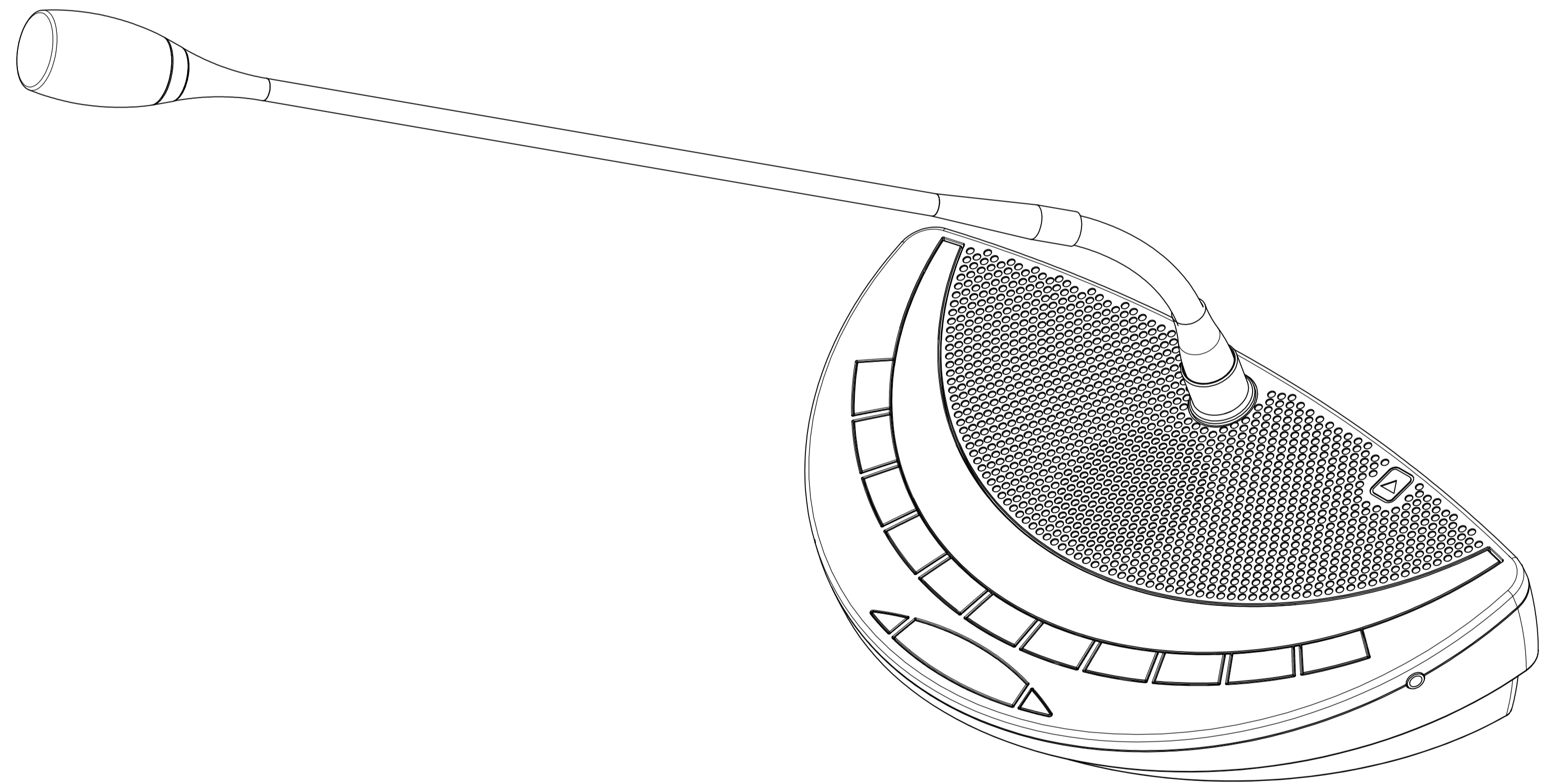
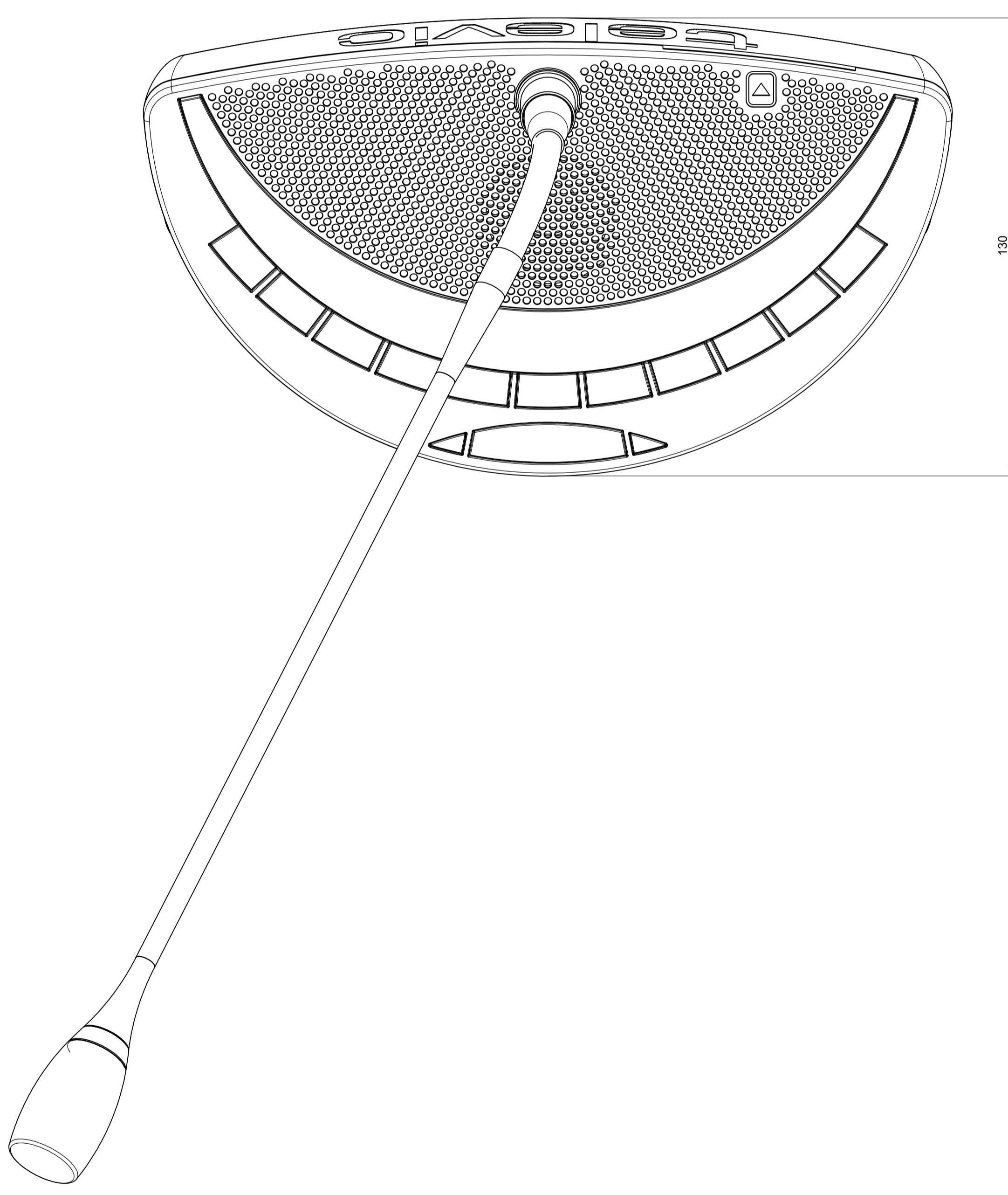
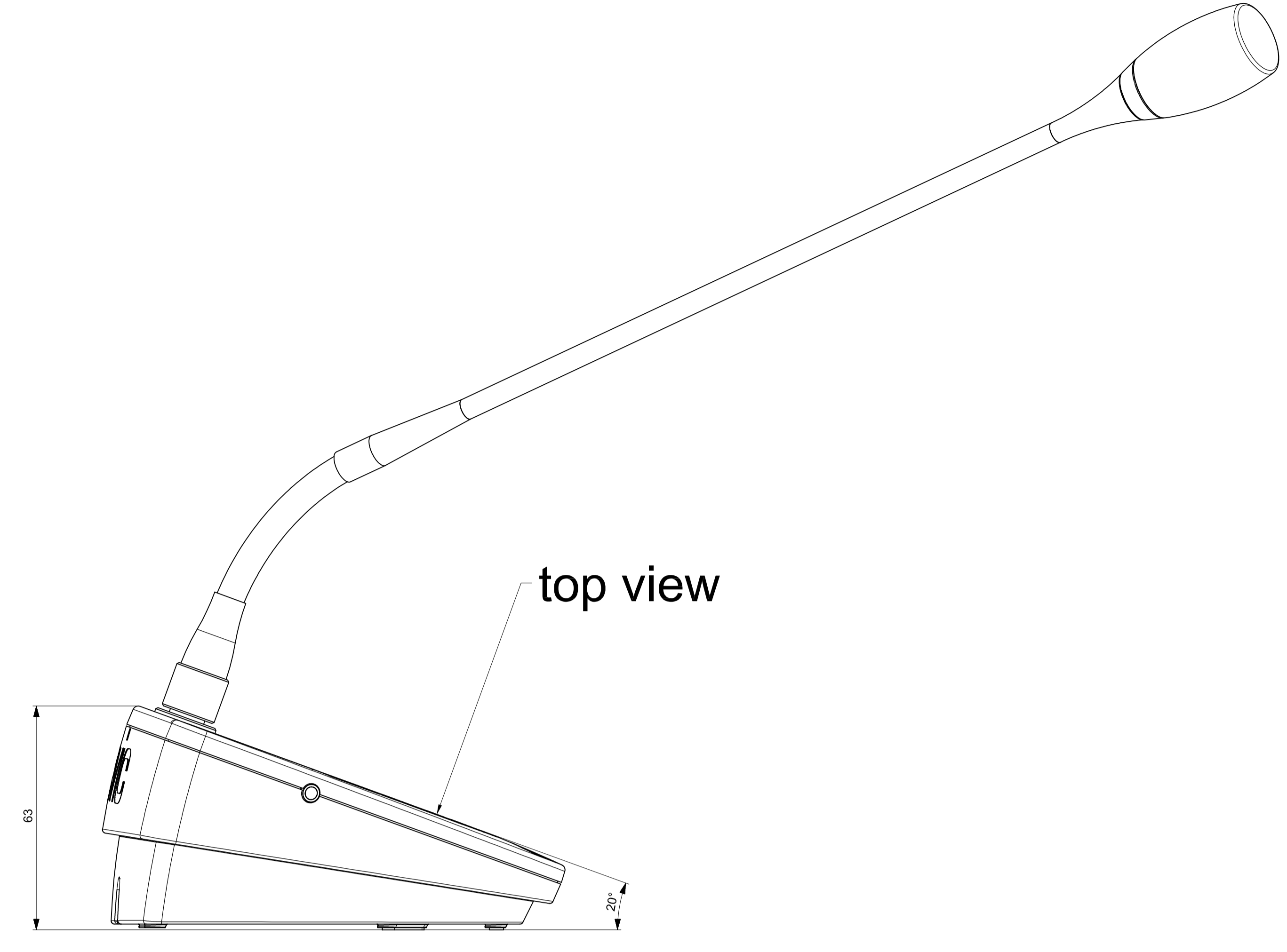
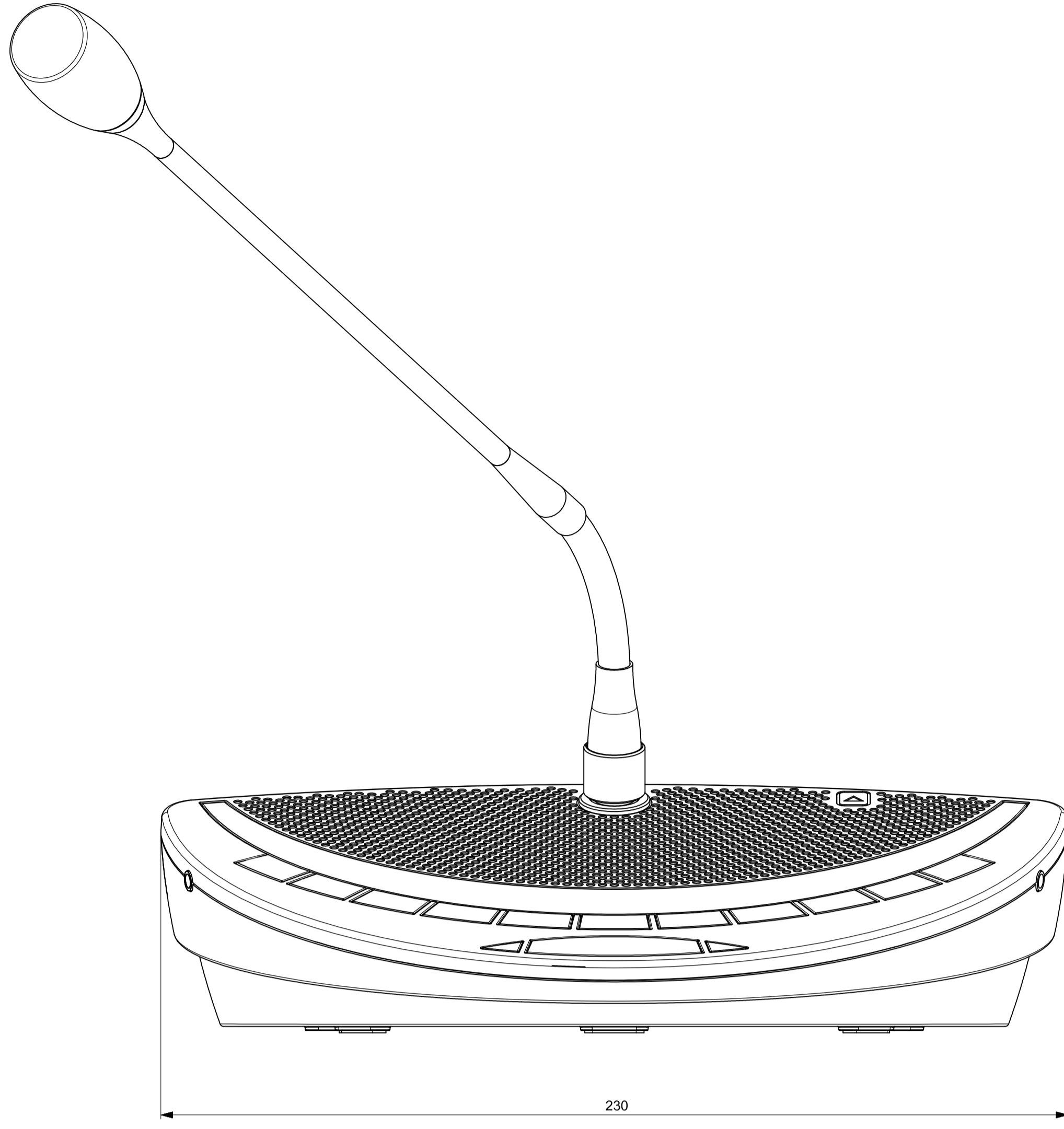


Remarks
 Material: PC/ABS
 BLACK
 Dimensions: 230 x 130 x 63 mm
 Price applied to the specified quantity.



Revision	EC/Rev	Remarks - description	Drawn	Name
Linear tolerances	Surface roughness	Shape and positioning tolerances	Geometric tolerances	Finishing
ISO 2768-mS	ISO 1302	ISO 1101 / ISO 2768 - M	ISO 2768-mS	see remarks
Drawing name				Material
Confidea T-DV				PC/ABS
Drawn by	SK	Date	71.98.0106_M07_2D_0.01	Sheet 1 of 1
Approved by	APR/2007	Unit	mm	Scale 1:1
				Format ADV
<small>All rights reserved. No part of this concept may be reproduced in any form or by any means without the prior written permission of Televis.</small>				