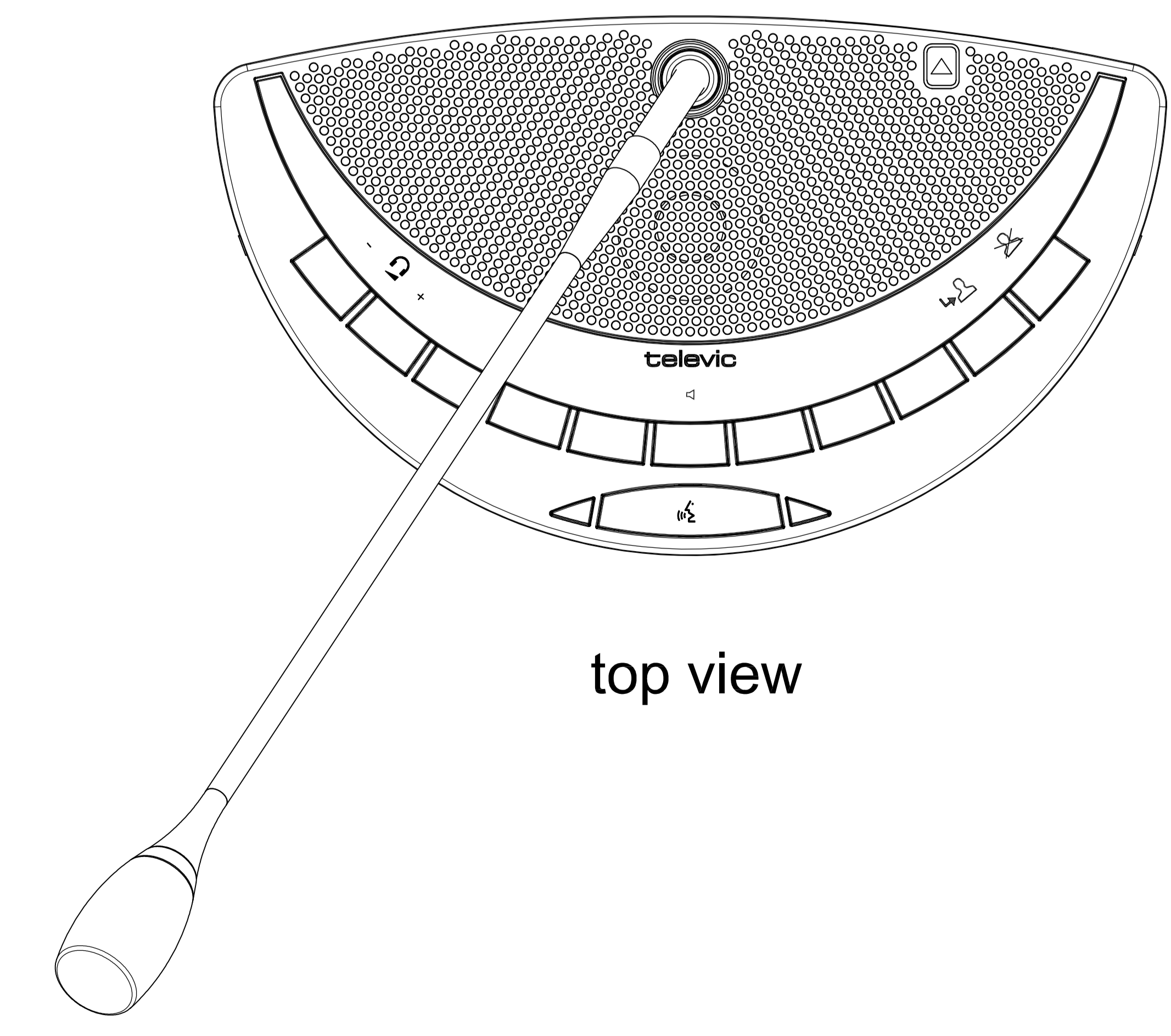
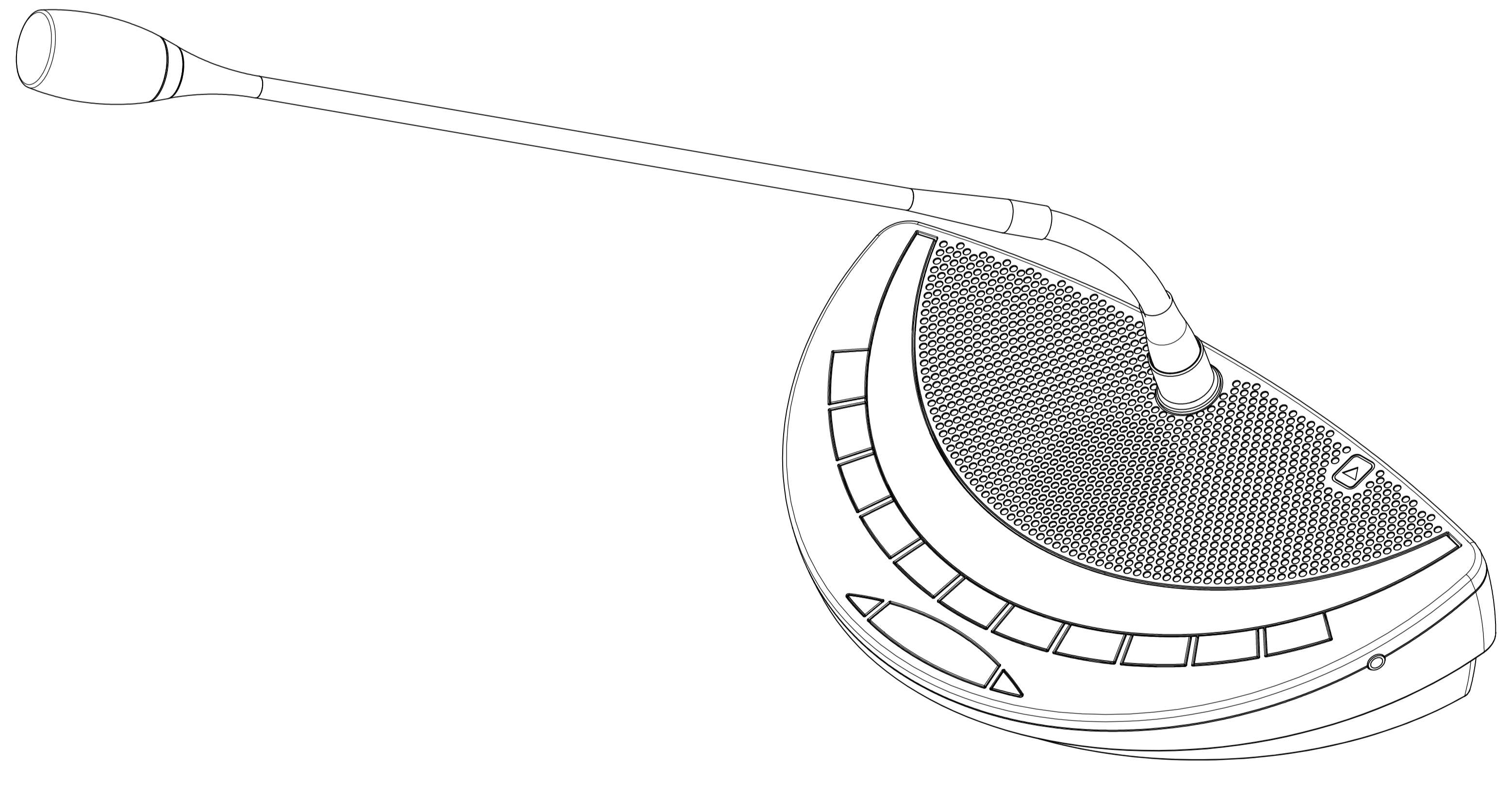
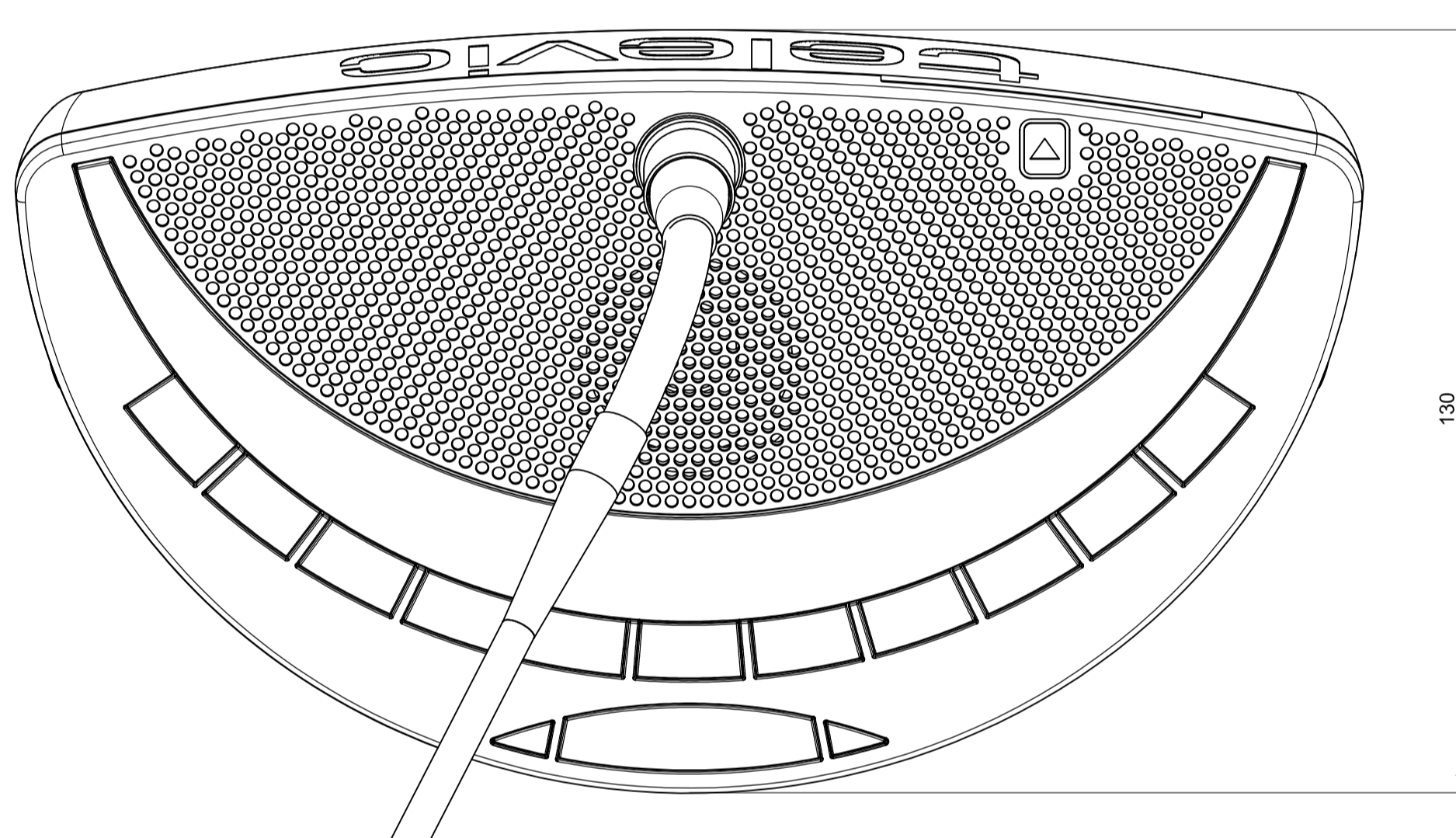
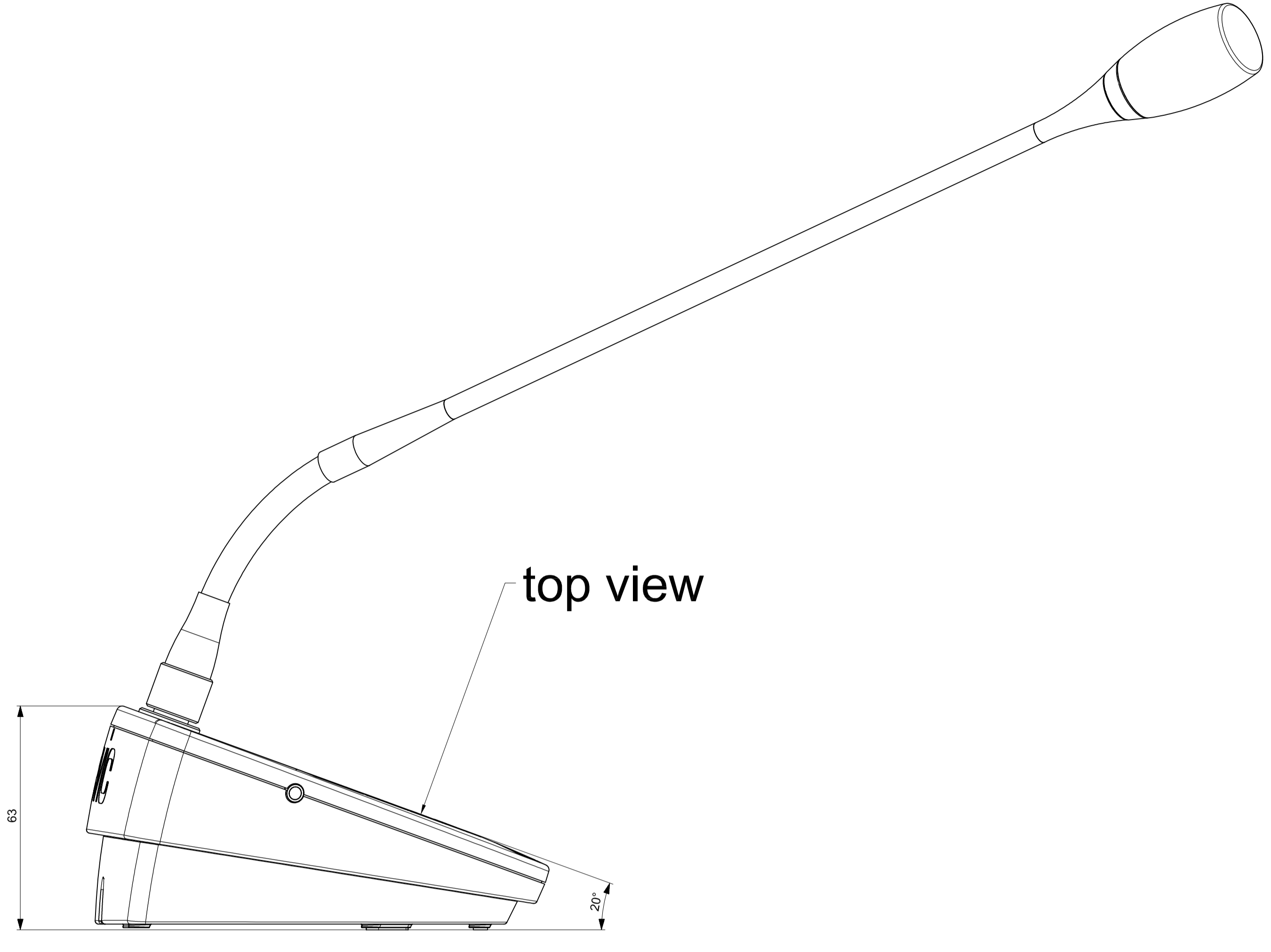
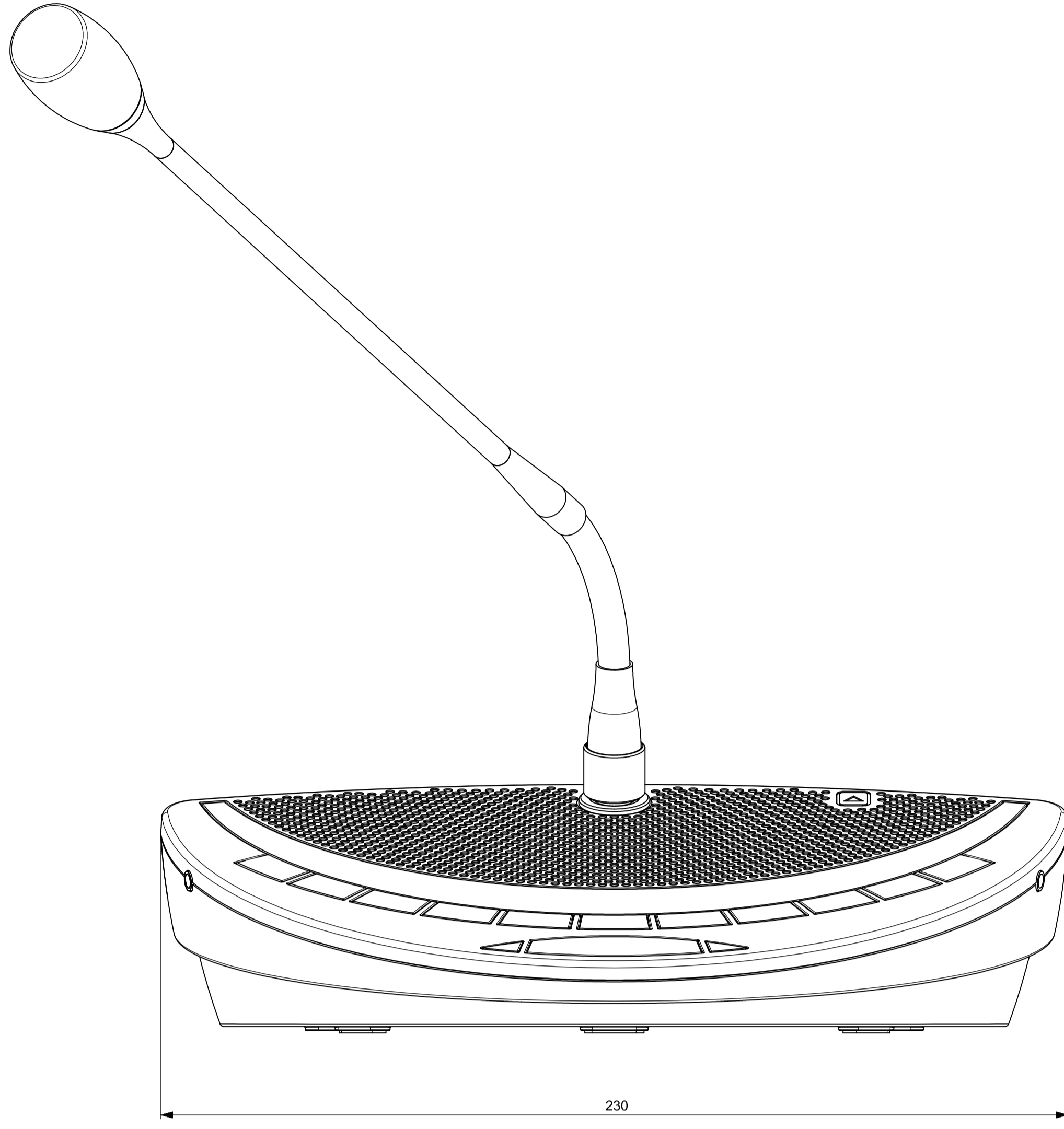


Remarks
 Material: PC/ABS
 BLACK
 Dimensions: 230 x 130 x 63 mm
 Price applied to the specified quantity.



top view

Revision	EC/Rev	Remarks - description	Drawn	Name
Linear tolerances	Surface roughness	Shape and positioning tolerances	ISO 1101	ISO 2768-mS
ISO 2768-mS	ISO 1302	ISO 1101 / ISO 2768 - M	ISO 2768-mS	see remarks
Drawing name	Confidea T-CI			PC/ABS
Drawn by	SKL	Date	18.07.2017	Scale
Approved by	APR/PC	Drawing number	71.98.0117_M07_2D_0.01	Sheet
televic	conference	Unit: mm	1:1	1 of 1