

# D-Cerno DECIDE

## Formal meeting solution with voting technology

CONFERENCE



### Description

D-Cerno DECIDE transforms the proven D-Cerno platform into a **complete formal meeting solution with integrated voting capabilities**. Built for city councils, local authorities, school boards, educational institutions, and courtrooms requiring democratic decision-making, D-Cerno DECIDE eliminates add-on voting solutions by integrating professional voting directly into the D-Cerno family.

At its core and when the D-Cerno L-License is active, D-Cerno DECIDE features **five programmable voting buttons** that adapt to any democratic procedure—from simple yes/no decisions to complex multi-option polls. Real-time results display instantly on web-based digital signage, ensuring immediate transparency. The **D-Cerno L-DECIDE license** unlocks the voting functionality, **room layout visualization** showing vote distribution, and **downloadable reports** for official documentation and compliance. An additional programmable button enables control system integration for custom functions such as witness calling in courtrooms, audio routing control, or managing projectors and recording systems.

Any D-Cerno DECIDE unit can instantly become either a **Delegate or a Chairperson station** through software configuration—no physical modifications required. Chairperson stations include dedicated PRIOR and NEXT-IN-LINE buttons for basic moderation, while the D-Cerno Advanced License unlocks comprehensive microphone management via speaker lists, request queues, and room layout visualization. Chairpersons control the entire voting process from their seat without technical assistance.

**Language selection** (Floor + 1 channel) makes D-Cerno DECIDE ideal for serving multilingual communities cost-effectively. When unlocked with the appropriate license, language selection is available through a dedicated button and standard headphone jack. Interpretation audio can be provided through Televic's Plixus or Unite solutions, compatible remote interpretation services, or third-party interpreter systems.

Accessibility remains central to D-Cerno DECIDE's design. **Haptic feedback** provides tactile confirmation for all users, while the **tactile overlay aid pad** ensures confident control navigation. These built-in features ensure compliance with accessibility requirements while creating truly inclusive meeting environments.

Built on D-Cerno's foundation of crystal-clear digital audio with mobile phone immunity and redundant cabling capabilities, DECIDE maintains plug-and-play simplicity. The **software-upgradeable** architecture protects investments—organizations can start with basic discussion and add voting functionality later through software updates rather than hardware replacement. D-Cerno DECIDE delivers professional voting without the complexity or cost of add-on integrations.

### Features and Benefits

#### Core Voting and Control:

- » **Eliminate separate voting equipment and manual counting errors**  
5 programmable voting buttons with multiple polling options (Yes/No, Yes/No/Abstain, custom configurations)
- » **Adapt to specialized environments and unique requirements**  
General-purpose programmable button for custom actions (witness calling in courts, room control, recording triggers)
- » **Maximum flexibility with minimum hardware**  
Single unit that serves both Delegate and Chairperson roles via dedicated control buttons - no licenses required
- » **Complete transparency in decision-making and reporting control**  
Real-time voting results displayed on web-based digital signage.

#### Meeting Management:

- » **Configure as delegate or chairperson unit easily**  
Every unit can be configured as a delegate or chairperson station through software configuration

- » **Chairperson manages meetings independently**  
Flexible chairperson mode via dedicated control buttons on any unit—no operator console or technical staff required
- » **Serve multilingual communities cost-effectively**  
Language selection: Floor and 1 channel
- » **Ensure accurate documentation and compliance**  
Digital voting records
- » **Full compatibility across D-Cerno family units**  
The D-Cerno DECIDE units are fully compatible with other D-Cerno discussion units, allowing all types to operate seamlessly within the same system

#### Audio & Technical Excellence:

- » **Crystal-clear communication in any environment**  
Digital signal processing (25Hz-15kHz) with immunity to mobile phone interference
- » **Accommodate any room setup or preference**  
Removable microphone connector compatible with 30, 40, 50, 60-cm microphones (to be ordered separately)
- » **Ensure reliable system performance**  
Loop-through daisy-chain cabling with patented fail-safe redundancy
- » **Enhance accessibility for all participants**  
Haptic feedback, removable tactile aid pad (to be ordered separately) and visual indicators
- » **Protect your investment over time**  
Software-upgradeable system for future enhancements and evolving requirements

#### With the D-Cerno AE Web Server:

- » **Voting template for structured decisions**  
The D-Cerno AE web server includes a ready-to-use voting template with up to 5 voting options.
- » **Custom seat labelling**  
Seat labelling for votes and speaker lists can be assigned for clear identification by seat
- » **Official documentation**  
Downloadable voting reports for administrative records (in combination with D-Cerno L-DECIDE)

#### With the D-Cerno Advanced License:

- » **Visual transparency and professional presentation**  
Room layout visualization showing seating arrangement and vote distribution
- » **Clear participant identification**  
Seat labeling system for votes and speaker lists
- » **User roles**  
Operator and Chairperson starting meetings and voting sessions, and Signage for real-time visualization of voting results

## Licenses

- » To unlock voting, interpretation and the programmable button on the D-Cerno DECIDE unit, as well as the voting template and voting reports on the D-Cerno web server, the following license is required (one per device):  
**L-DECIDE** **71.98.0362**
- » To fully configure, manage, and use the unit (room layout, seat labelling for votes, user roles, custom audio configuration, etc.), the D-Cerno Advanced license is required:  
**D-Cerno Advanced** **71.98.0360**

## Connectivity and Accessories

- » Two digital bus connections (RJ45) - IN/OUT - interchangeable
- » One 3.5 mm stereo jack socket for headphones:  
TEL152 Headphones 71.04.0154  
EP152 Earphones 71.04.0155
- » One screw-lock socket to connect a removable microphone (to be ordered separately):  
D-MIC 30 SL 71.98.0053  
D-MIC 40 SL 71.98.0054  
D-MIC 50 SL 71.98.0055  
D-MIC 60 SL 71.98.0056  
D-MIC 40FF 71.98.0059
- » 2-m patch cable (included with the unit)

#### Also available:

- » D-Cerno transport case:  
D-Cerno AE TC 71.98.0334
- » Removable and customizable tactile aid pad

## System Requirements

- » D-Cerno AE (version 1.6 or higher)

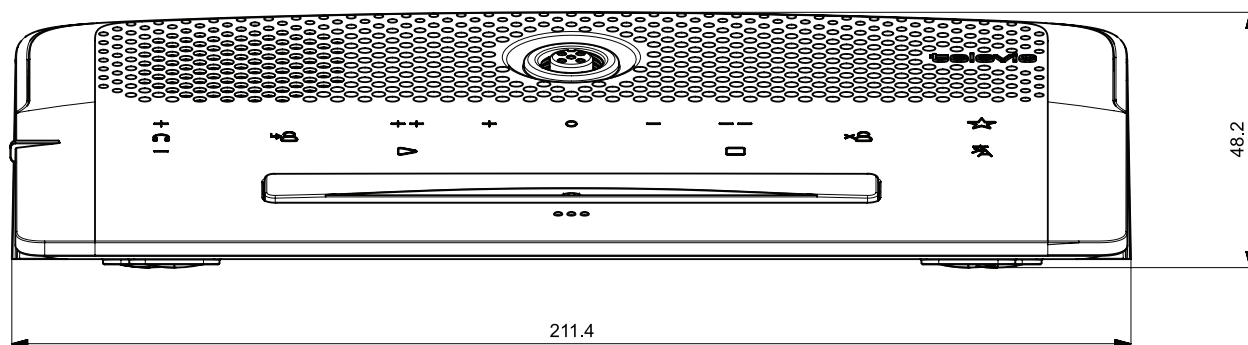
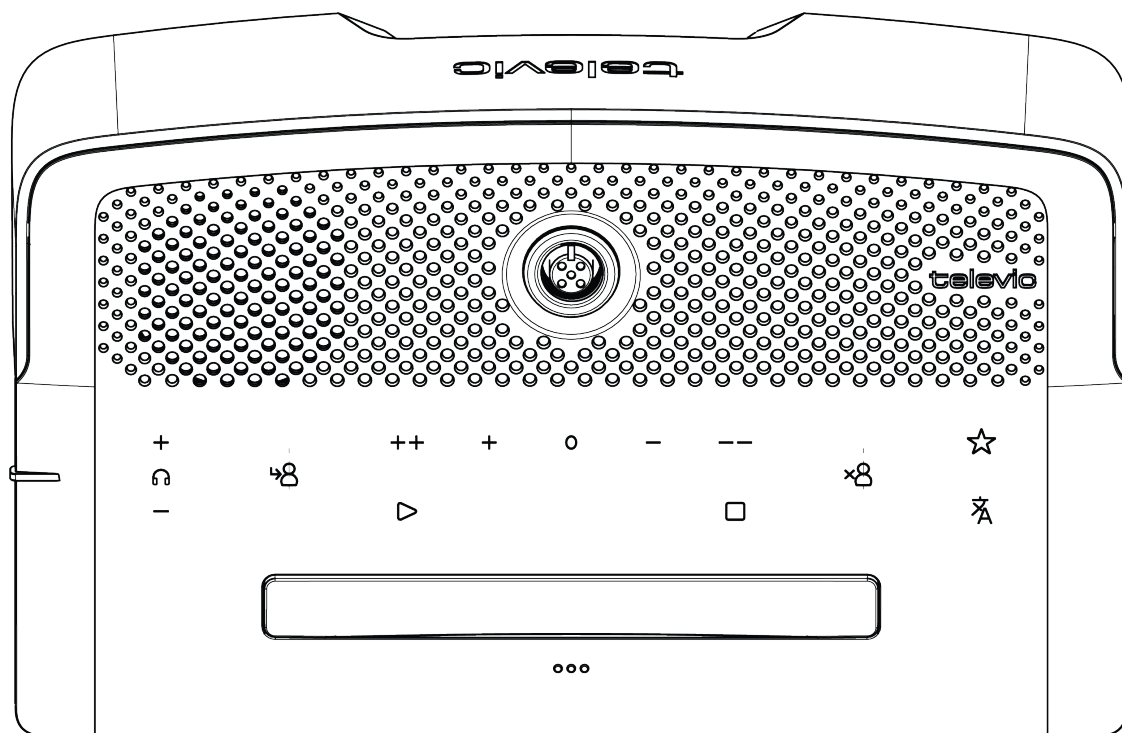
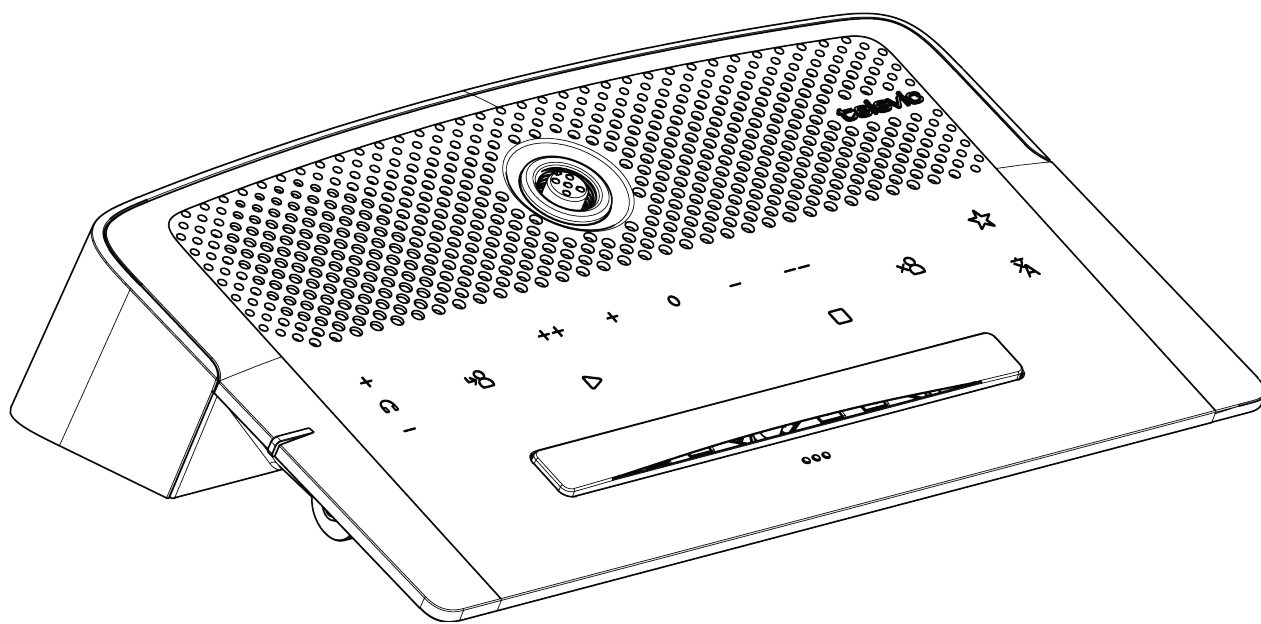
## Certification

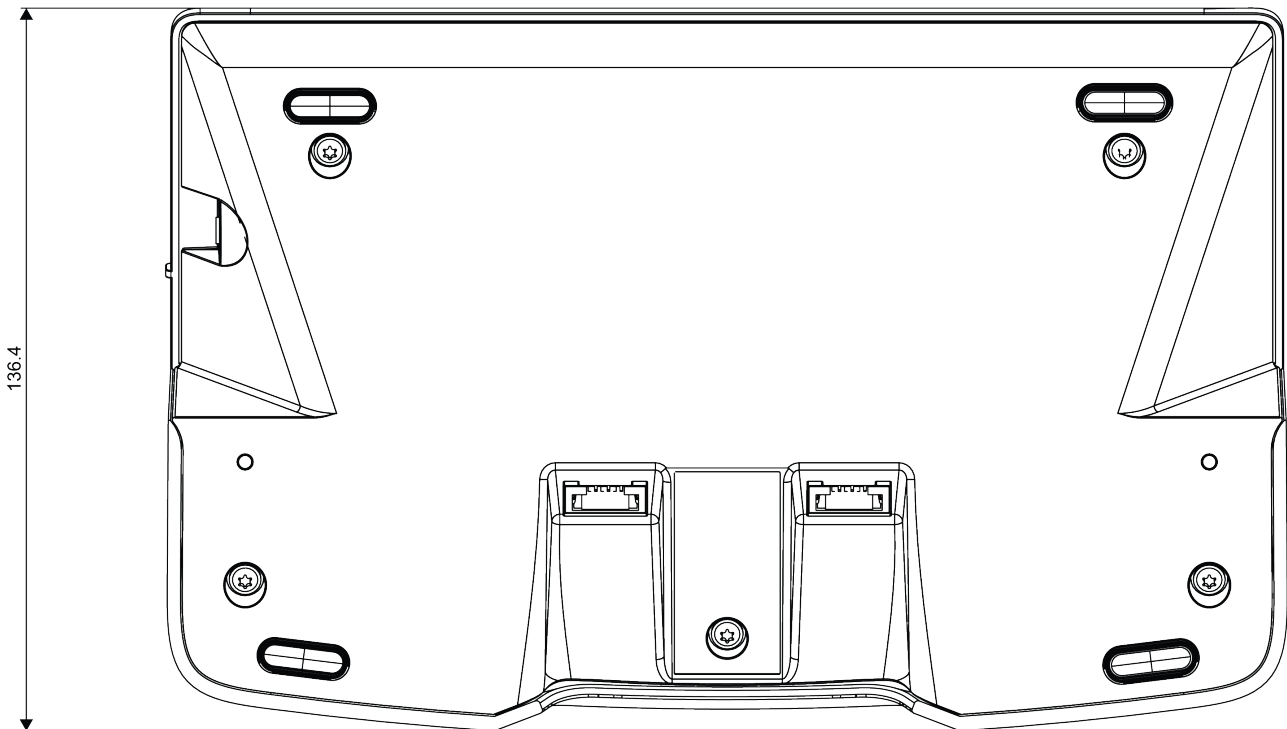
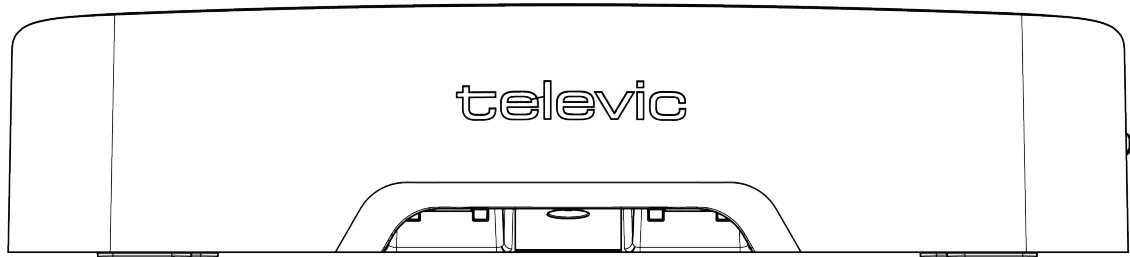
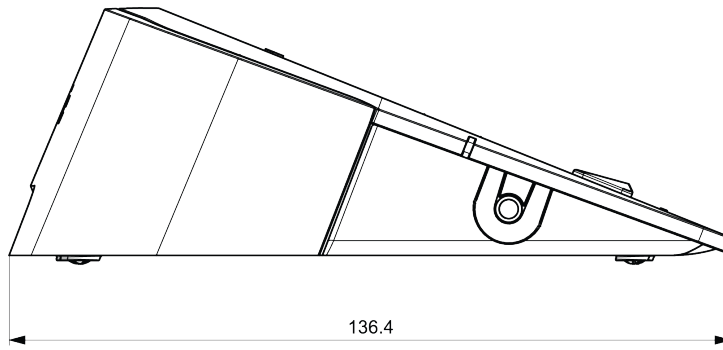
Region	Certification
Europe	CE

## Specifications

Mechanical	
Material	PC & PC/ABS & Zamak
Color	Black
Size	211.4 x 136 x 48.2 mm
Sized packed	230 x 150 x 80 mm
Weight	760 g
Weight packed	1000 g
Electrical	
Power supply	48 VDC over Cat5 cable / 4.4 A
Power consumption	3 W
Headphones	
Audio quality	16 bit digital
Frequency response	25-15,000 Hz (± 3 dB)
Output level	Max 70 mW @ 32 Ω
Load impedance	16-150 Ω
Speaker	
Rated power	4 W
Mean sound pressure level	80 dB SPL at 1 m
Environment	
Operating temperature	5 to 45°C
Humidity protection class	IP10 compliant to IEC 60069-2-14

Technical Drawings (Dimensions in mm)





**HQ Belgium**

+32 51 30 30 45  
conference@televic.com  
<https://www.televic.com/en/conference>

**Asia**

+86 21 61 48 01 23  
conference@televic.com  
[www.televic-conference.com.cn](http://www.televic-conference.com.cn)

**France**

+33 3 74 09 52 76  
conference-france@televic.com  
[www.televic-conference.fr](http://www.televic-conference.fr)

**United States**

+1 916 920 0901  
conference-us@televic.com

All information copyright Televic Conference, 2026.  
Televic reserves the right to change this document  
without notice.

Version 1.3

