

Remarks

front :
 material :
 Frontplate : aluminium - E = 3mm
 finishing : black anodised, grinding grain size 180
 symbols / text : RAL7040

mntp :
 material : hot dipped galvanised steel - E = 1mm

covers and mntp middle :
 material : aluminium - E = 1.5mm

Dimension :
 * module size : (WxHxD) 358 x 185 x 50mm
 * cutout table :
 359 x 186 mm R1,5 ∇ 4,25 mm
 + 340 x 174.5 with 4 x slot \varnothing 6.5mm ∇ through

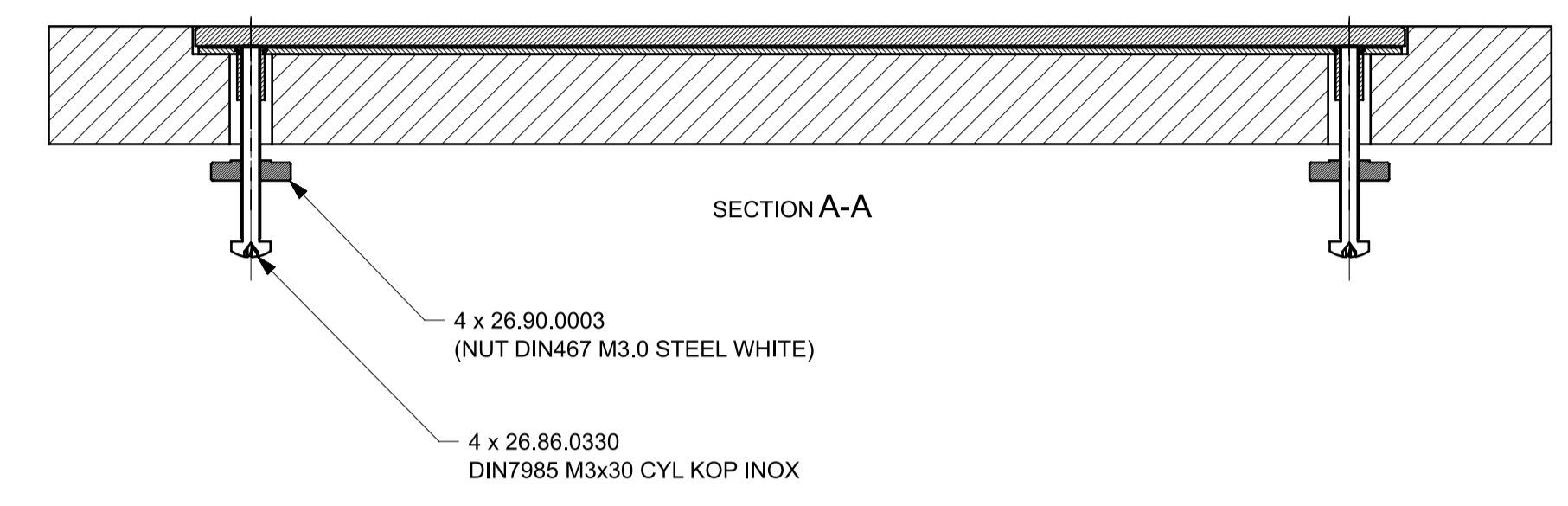
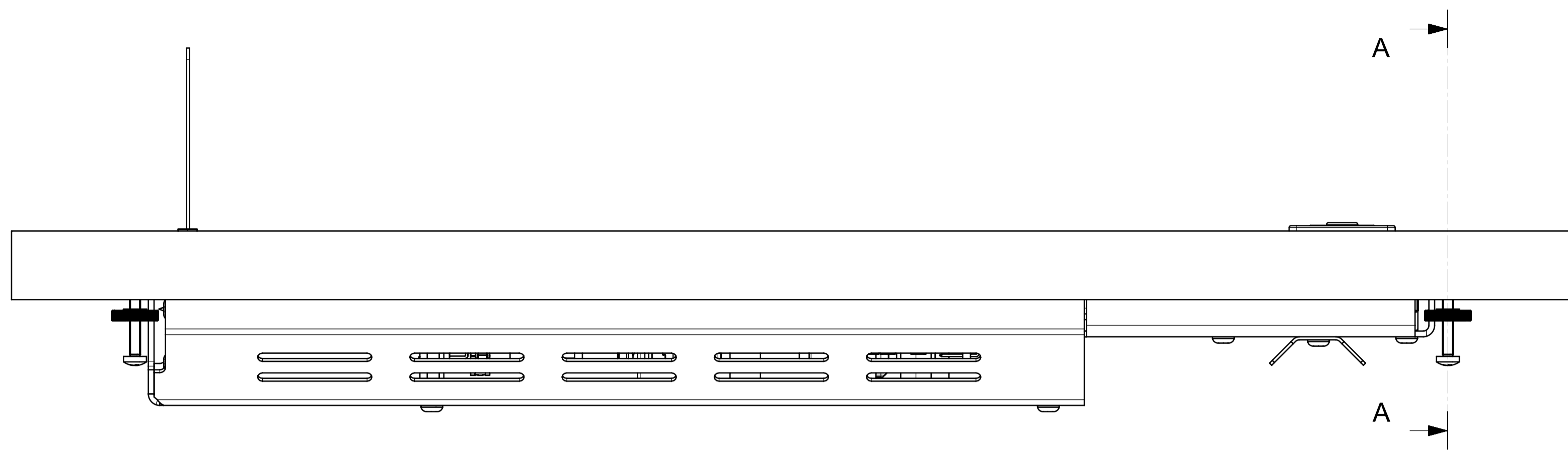
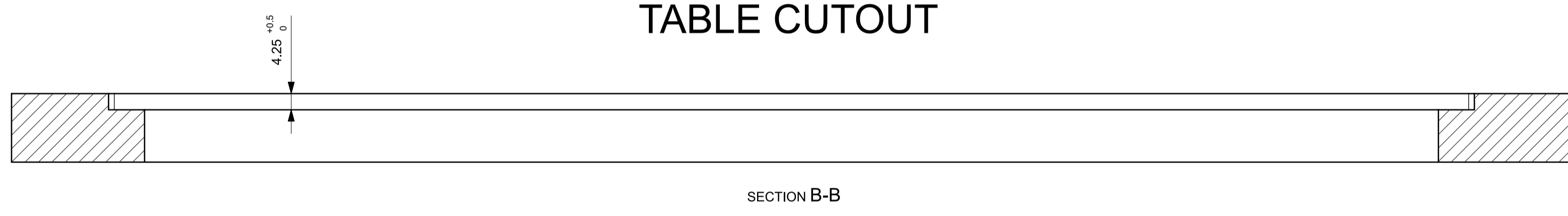
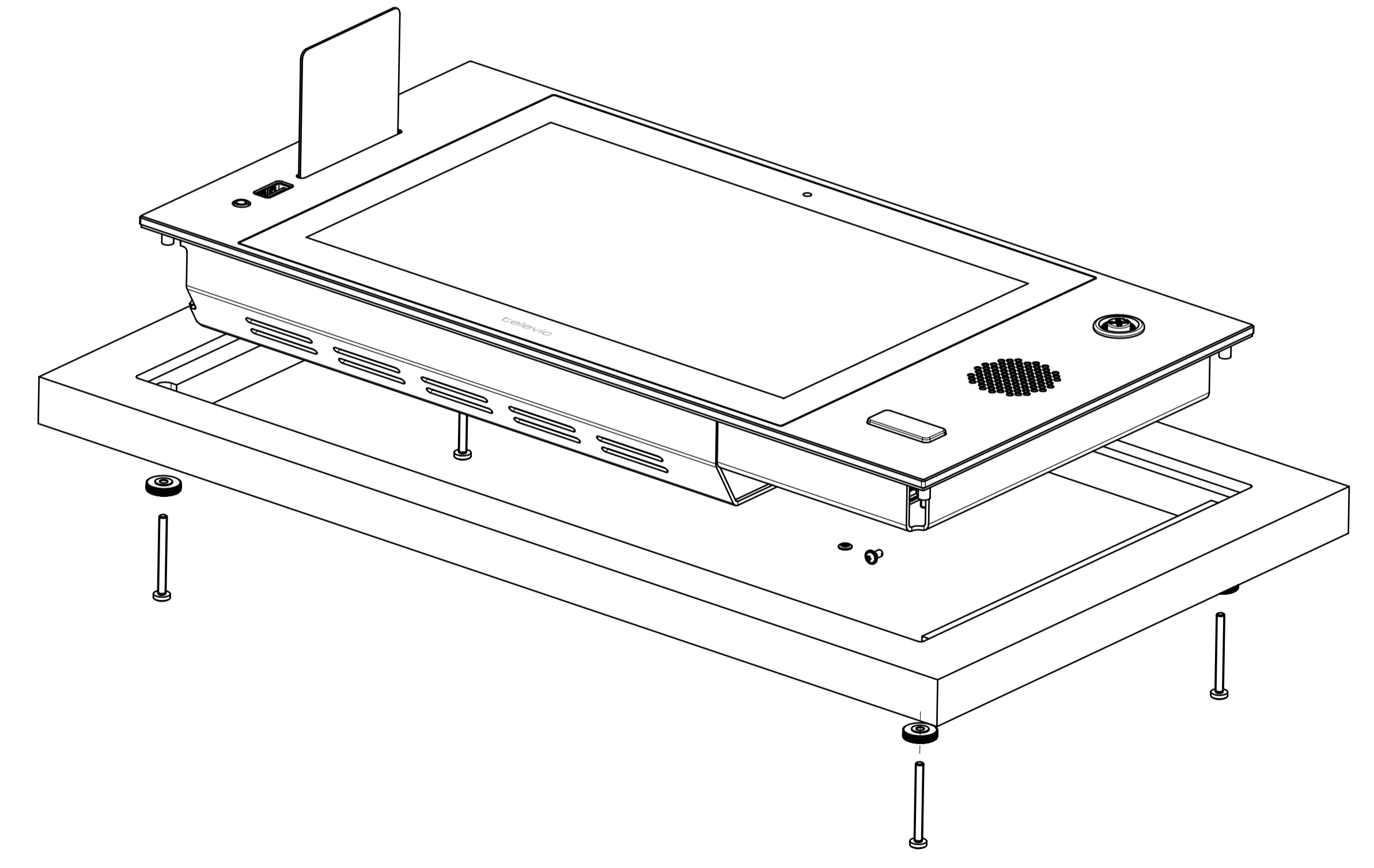
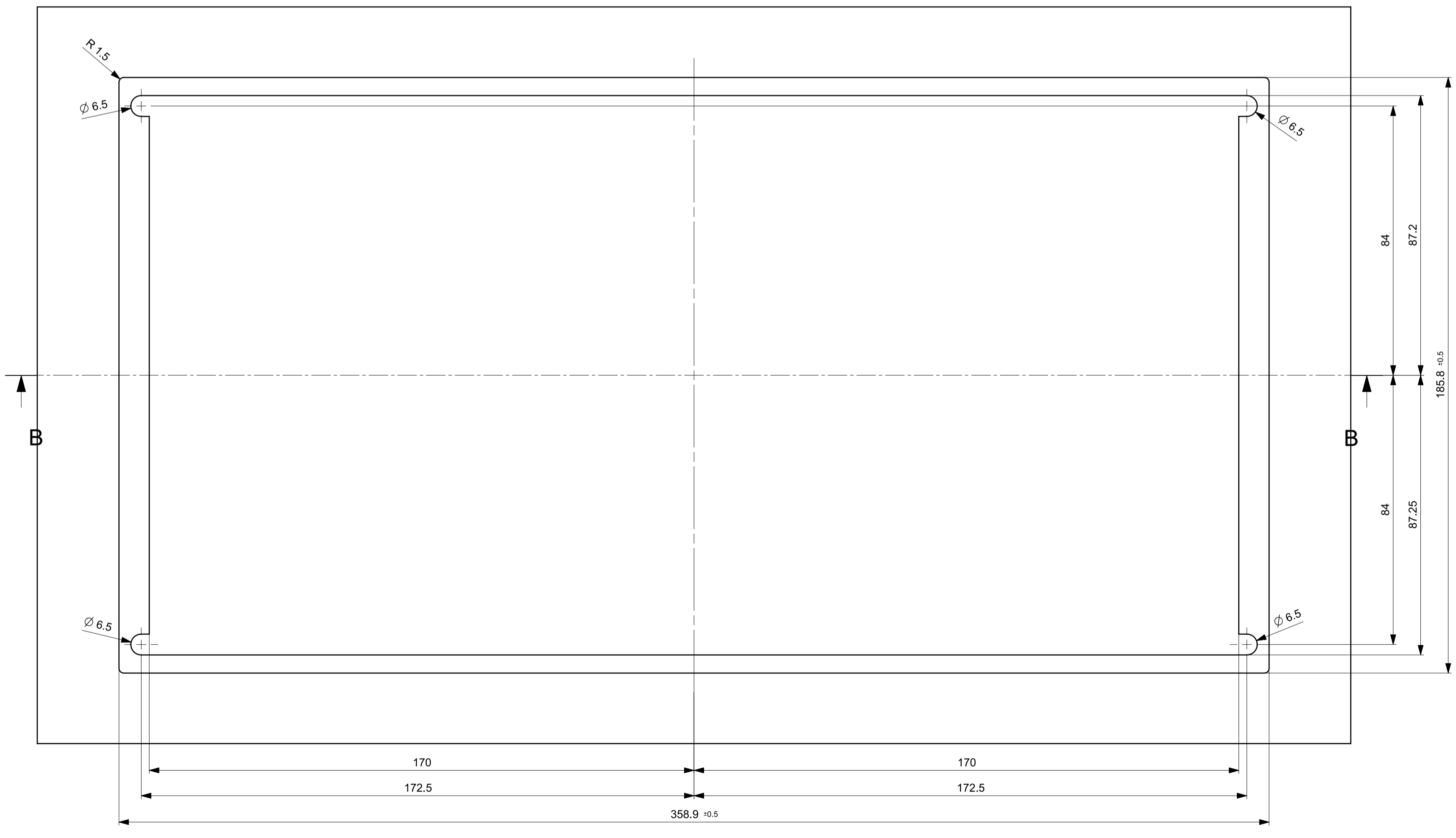


TABLE CUTOUT



! Hand tighten the nuts



Isometric view not to scale

0.05		Change cover shape and ventilation slots	03/03/19	L-stin
0.04		Concept change camera assembly / increase safe zone for display touch	24/11/18	L-stin
0.03		Mech changes to frontplate, mountingplate and glue/layer / reduced spacer height for speaker	29/09/18	L-stin
0.02		Added hole for speaker performance / add slots for lie wraps / modified speaker bracket	31/08/18	L-stin
0.01		Original drawing	08/17/18	L-stin
Revision	ECN-nr	Remarks - description	Date	Name
Linear tolerances	Surface roughness	Shape and positioning tolerances	Band tolerances	Finishing
ISO 2768-middle	ISO 1302	ISO 1101 / ISO 2786 - K	ISO 2768-middle	See remarks
Drawing name				Material
10" UNIT PLIXUS F/MM INTEGRATION				See remarks
Drawn by	Name	Date	Drawing number	Sheet
L-stin		03/03/19	71.98.2001_M07_2D2_0.05	2 of 2
Approved by	APPROVE	DATE_APPROV	unit : mm	Scale
				1 : 1
				Format
				A1
All rights reserved. No parts of this concept may be reproduced in any form or by any means without the prior written permission of Televic.				