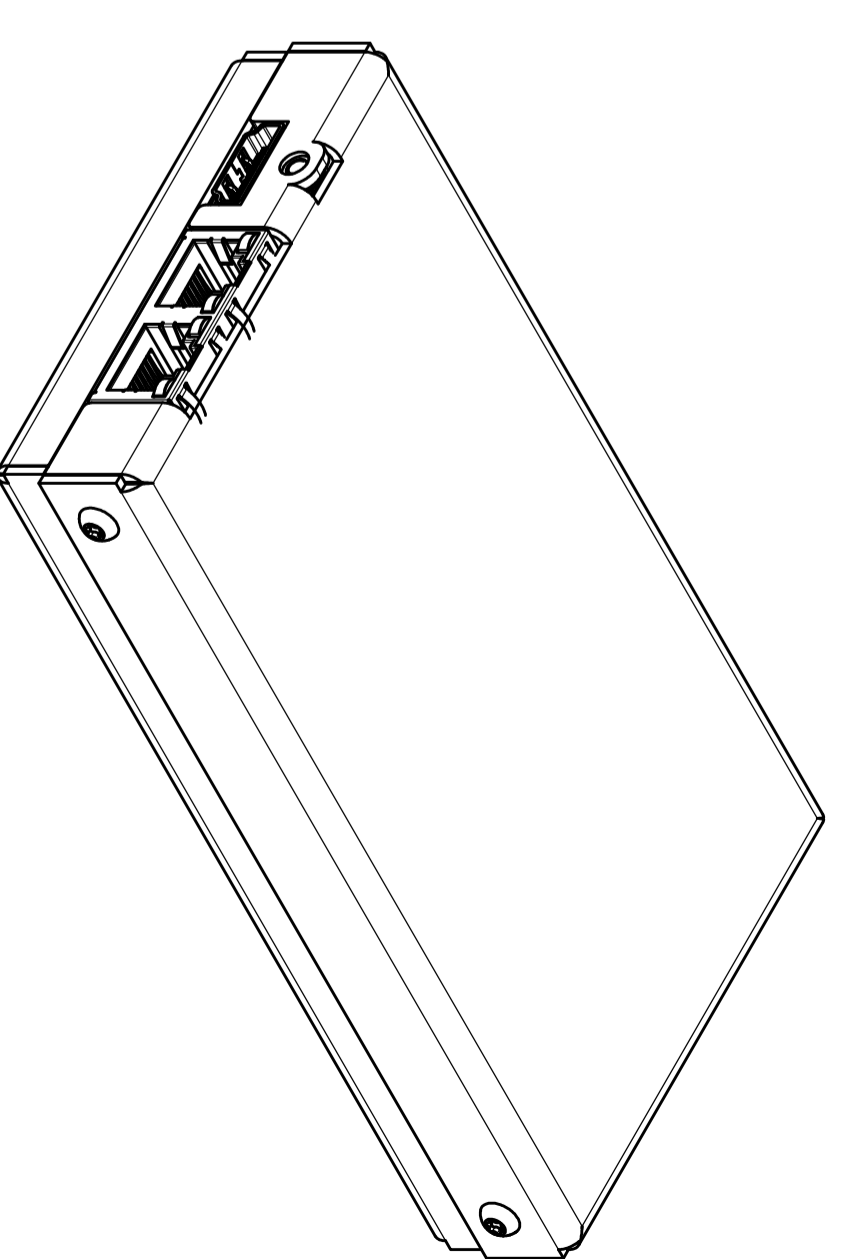
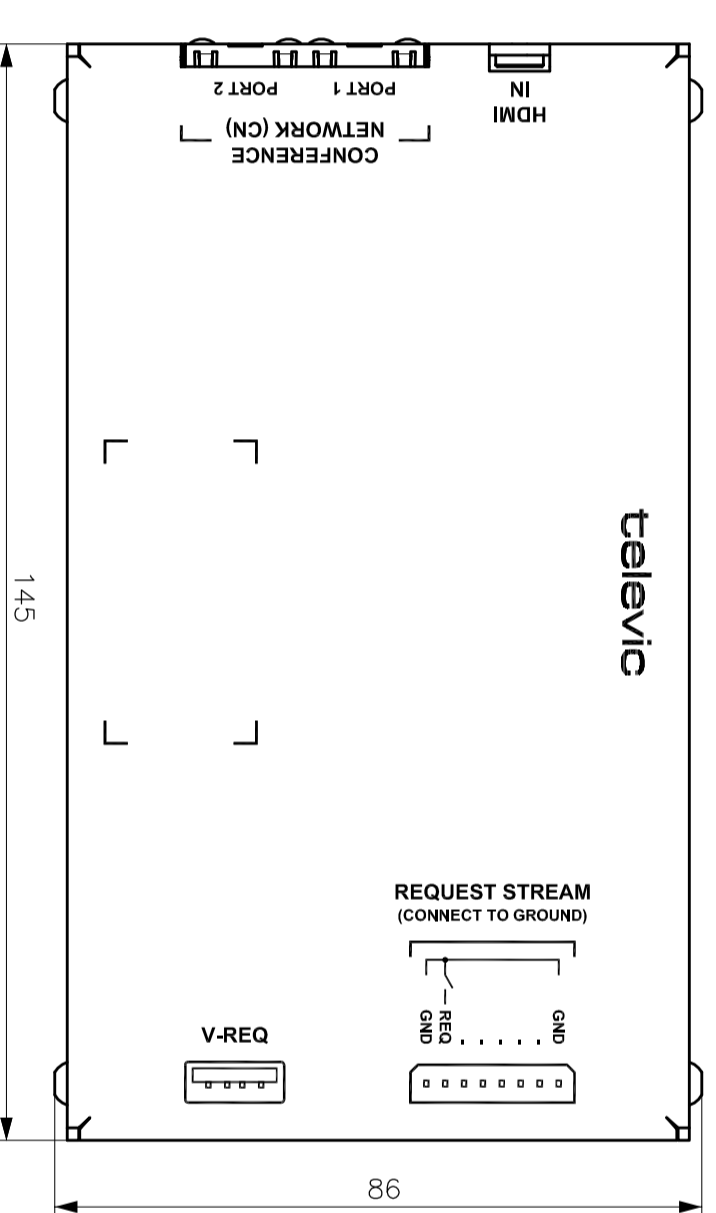
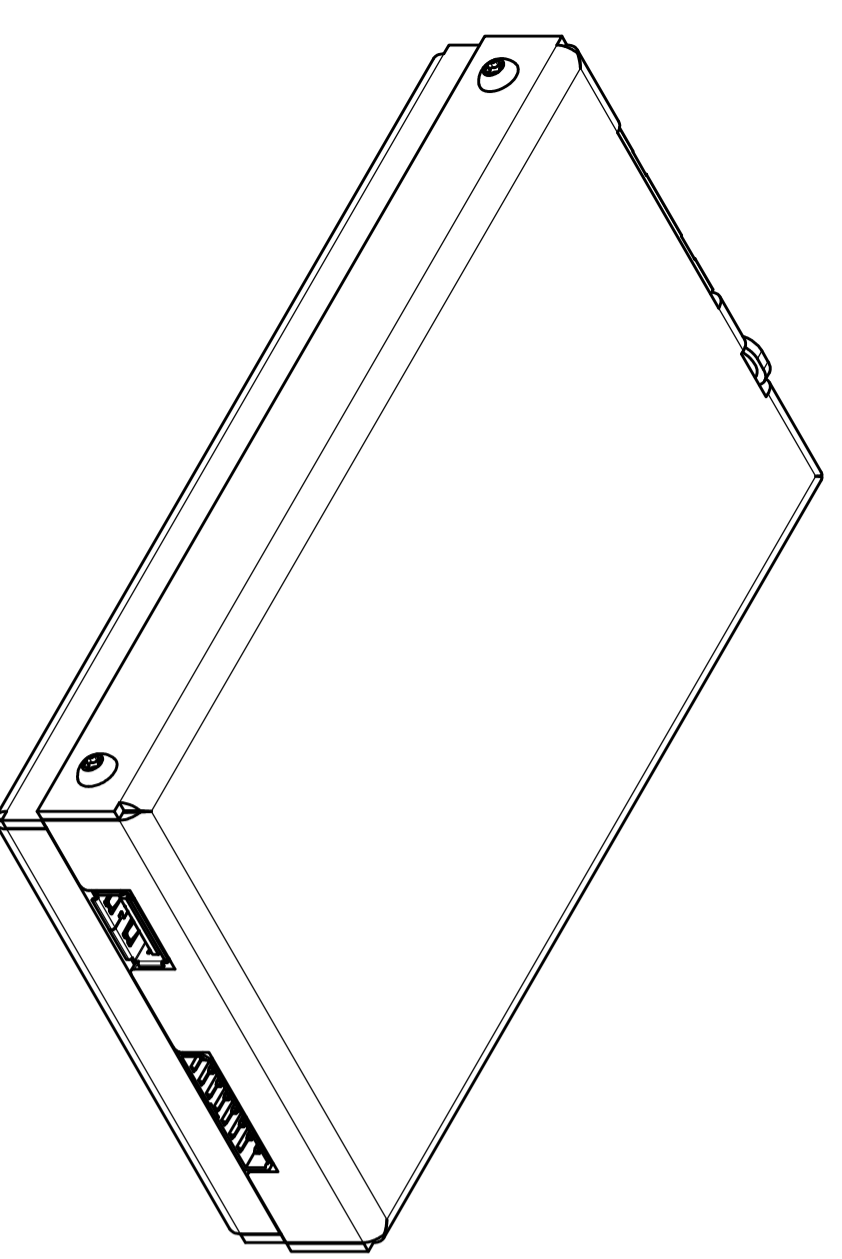
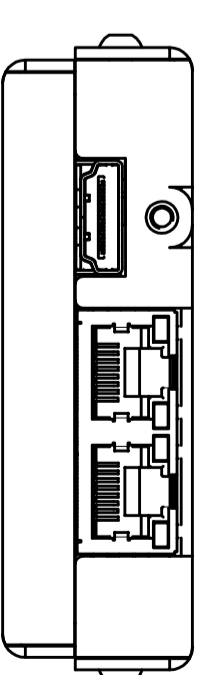
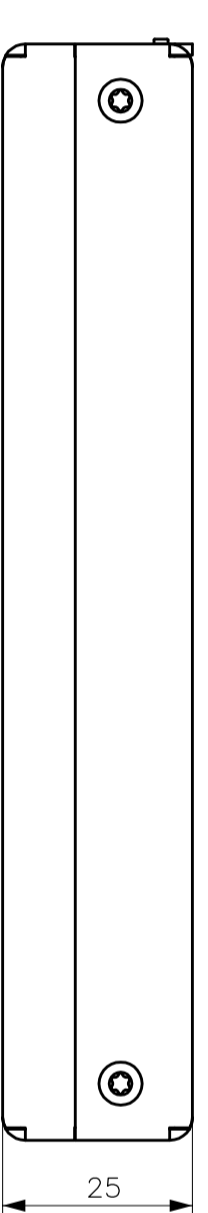
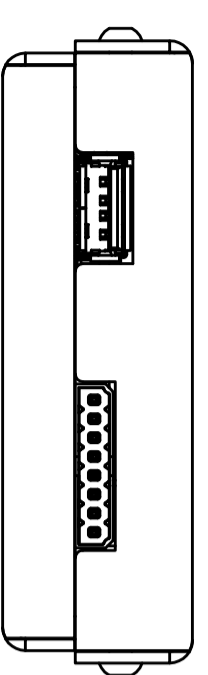


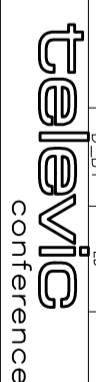
Remarks

- * material : aluminium E = 1.5mm
- * painting : powder coating Tiger Carbon 01 light structured 80µm (130µm)
- * screening : Pantone 421C



Revision	ECN--nr	Surface roughness	Remarks - description	Bend tolerances	Date	Name
		ISO 2768--middle	ISO 1101 / ISO 2768 - K	ISO 2768--middle		
Linear tolerances						
ISO 2768--middle						
Drawing name						
MECH MODULE PLUXUS V-IN						
Material						
aluminium 1,5mm						

Name	Date	Drawing number	Sheet
BV	24/11/2015	71.98.2920_M07_2D_0.01	1 of 1
Drawn by	APPROVE DATE APPROV	Scale	1 : 1
D. BY	ED	Format	A2
unit : MM			



All rights reserved. No parts of this concept may be reproduced in any form or by any means without the prior written permission of Televic.