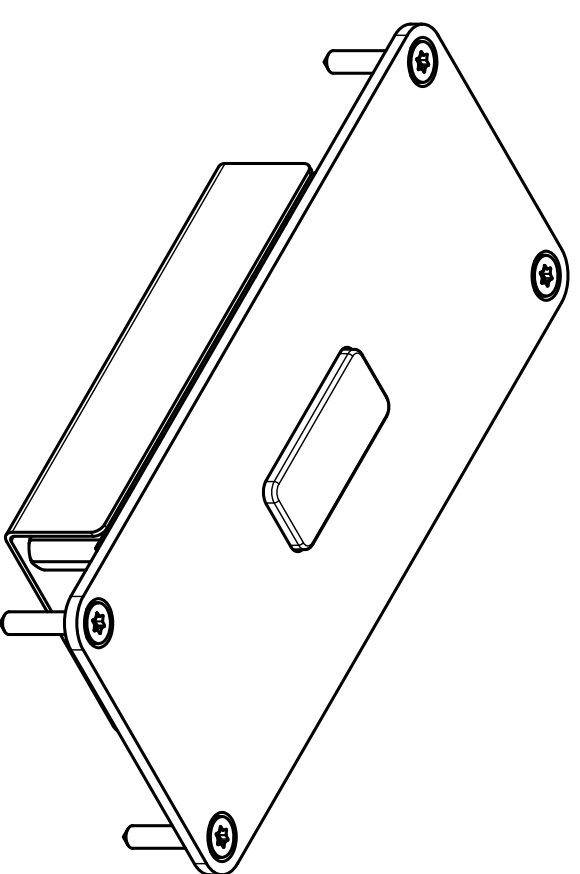
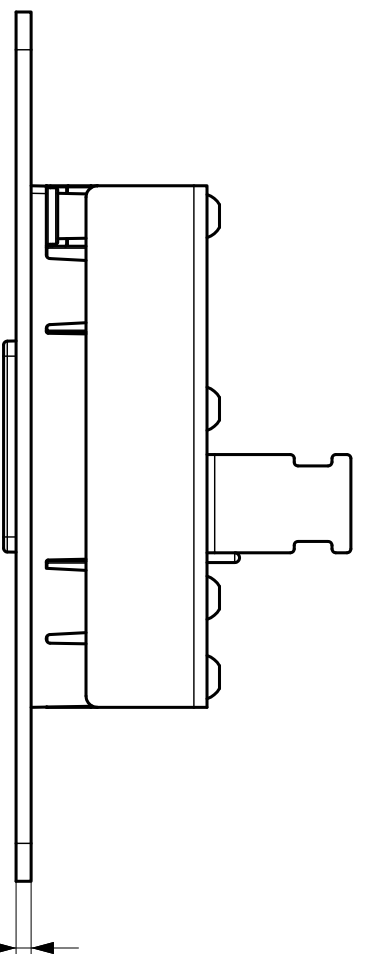
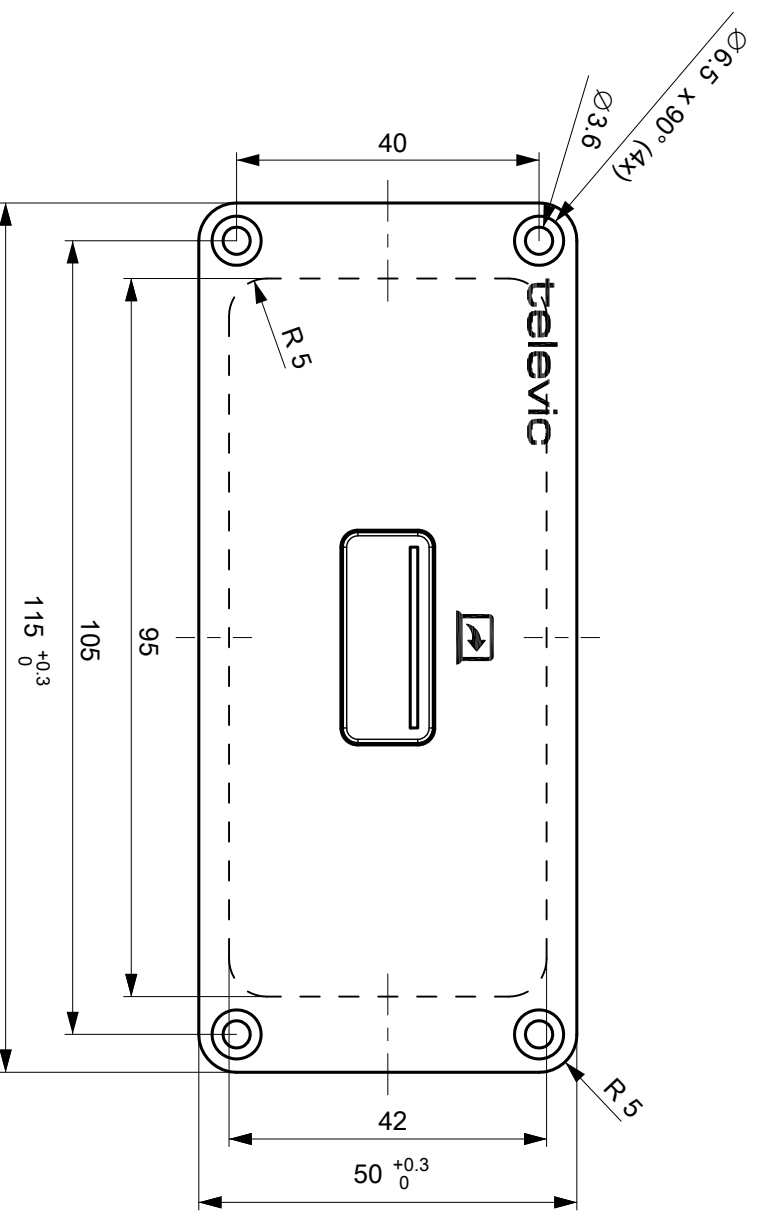


**Remarks**

- \* material :
- fftp : steel 2mm
- cover : hot dip galvanized steel 0.75mm
- \* powder coating : Tiger Carbon 01 light structured 80µm (±30µm)
- \* screening : Pantone 421C

General dimensions : 115 x 50 mm R5  
 Cutout dimensions : 95 x 42 mm R5  
 Build in depth : 90 mm

Price applied to the specified quantity.



Revision	ECN-nr	Remarks - description	Date	Name

Linear tolerances ISO 2768-middle	Surface roughness ISO 1302	Shape and positioning tolerances ISO 1101 / ISO 2768 - K	Bend tolerances ISO 2768-middle	Finishing see remarks
--------------------------------------	-------------------------------	---	------------------------------------	--------------------------

Drawing name

# PLIXUS V-REQ

Name	Date	Drawing number	Sheet	1 of 1
Drawn by BV	14/07/2016	71.98.2921_M07_2D_0.01	Scale	1 : 1
Approved by D BY	APPROVE DATE APPROV ED		Format	A3



All rights reserved. No parts of this concept may be reproduced in any form or by any means without the prior written permission of Televic.