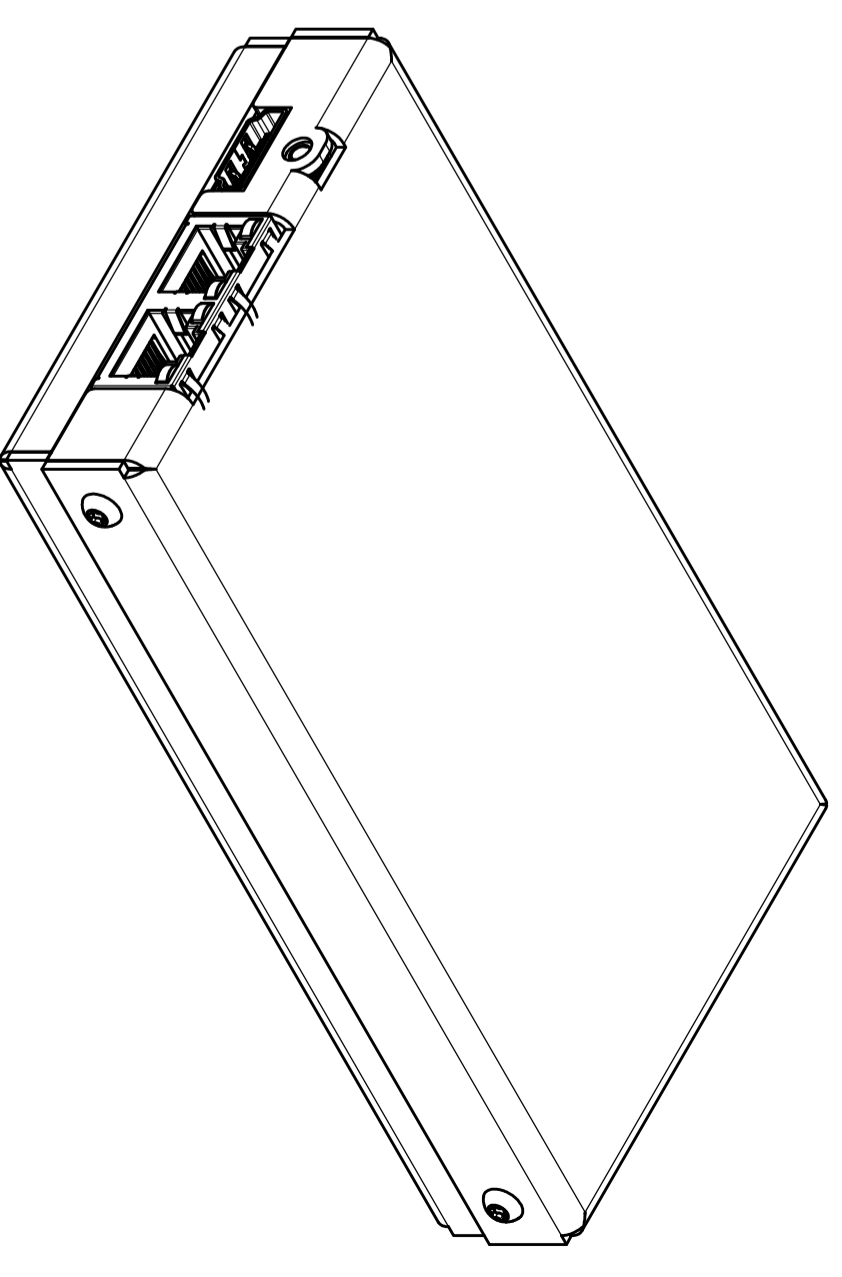
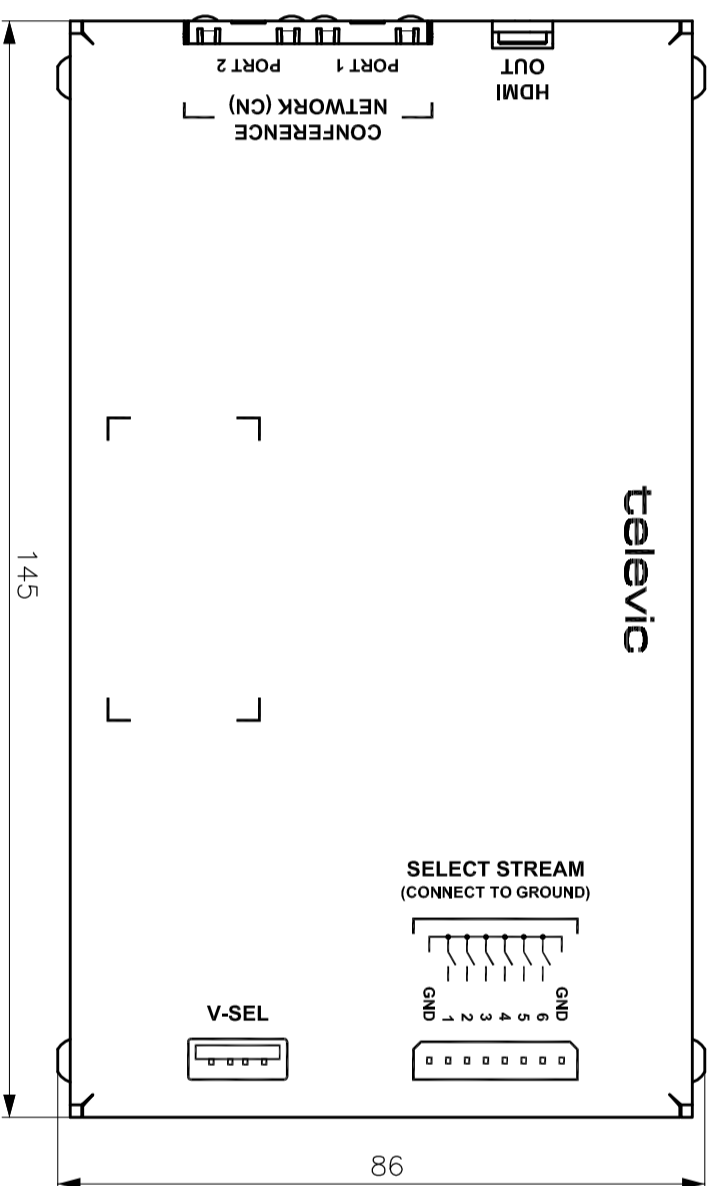
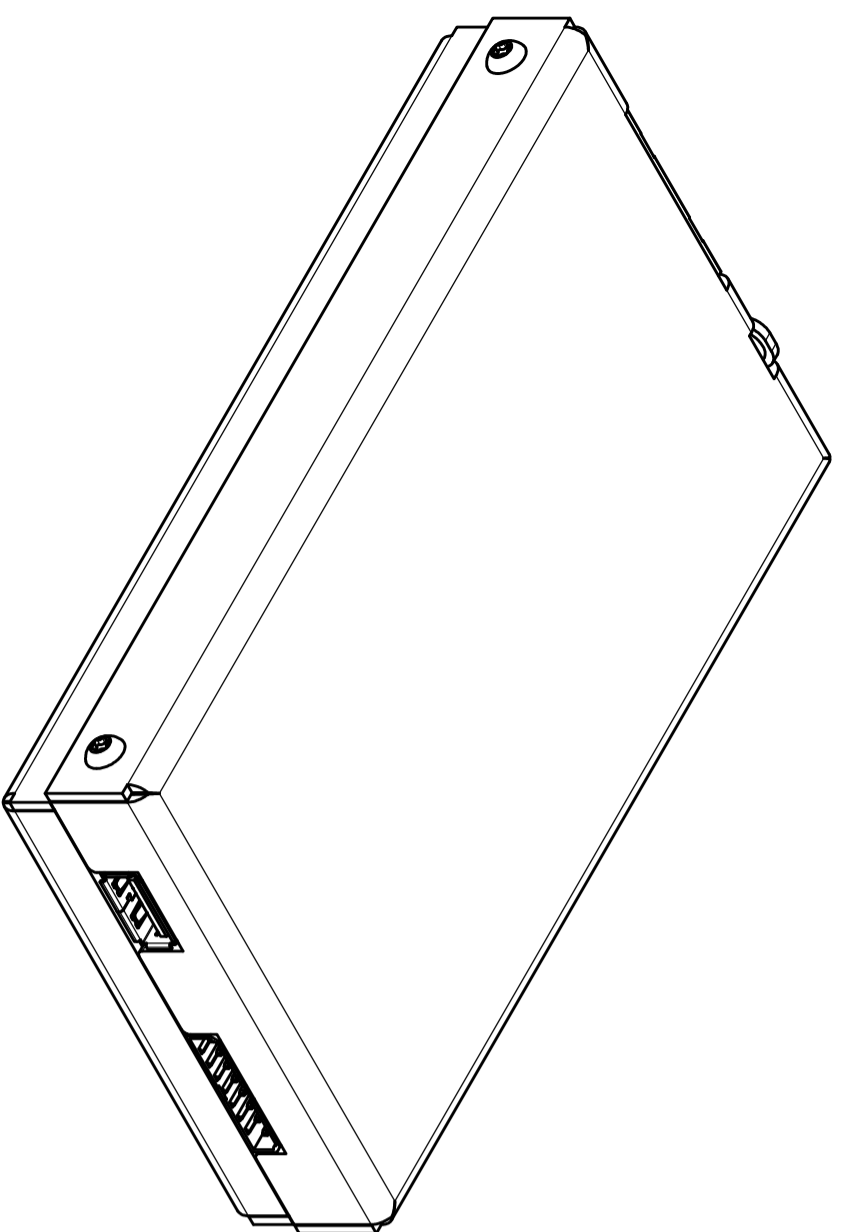
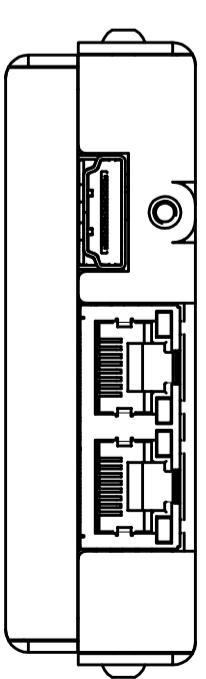
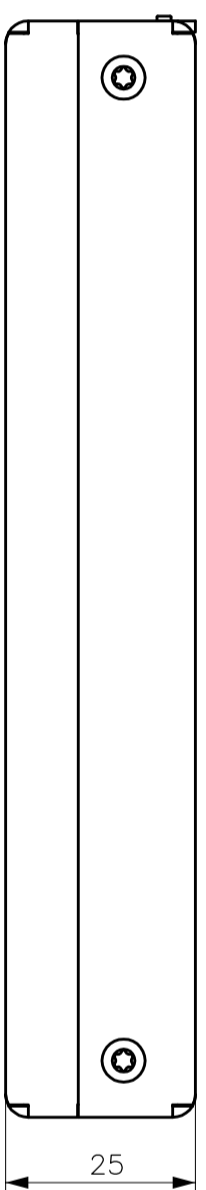
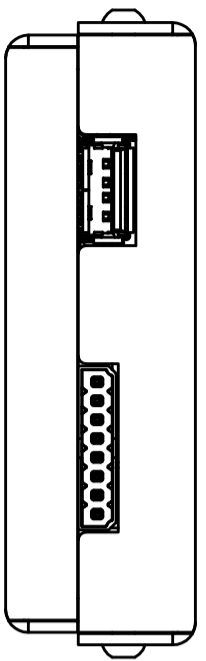


Remarks

- * material : aluminium E = 1.5mm
- * painting : powder coating Tiger Carbon 01 light structured 80µm (130µm)
- * screening : Pantone 421C



Revision	ECN--nr	Surface roughness	Shape and positioning tolerances	Bend tolerances	Date	Name
		ISO 2768--middle	ISO 1101 / ISO 2768 -- K	ISO 2768--middle		
Linear tolerances ISO 2768--middle						
Drawing name MECH MODULE PLIXUS V-OUT						
Material aluminium 1.5mm						
Finishing see remarks						
Remarks - description						
Name						
Date						
Sheet 1 of 1						
Scale 1 : 1						
Format A2						
Drawing number 71.98.2922_M07_2D_0.01						
Drawn by BV						
Date 24/11/2015						
APPROVE DATE APPROV						
Drawn by D. B.Y.						
unit : MM						
televic conference						
All rights reserved. No parts of this concept may be reproduced in any form or by any means without the prior written permission of Televic.						



8 7 6 5 4 3 2 1

8 7 6 5 4 3 2 1