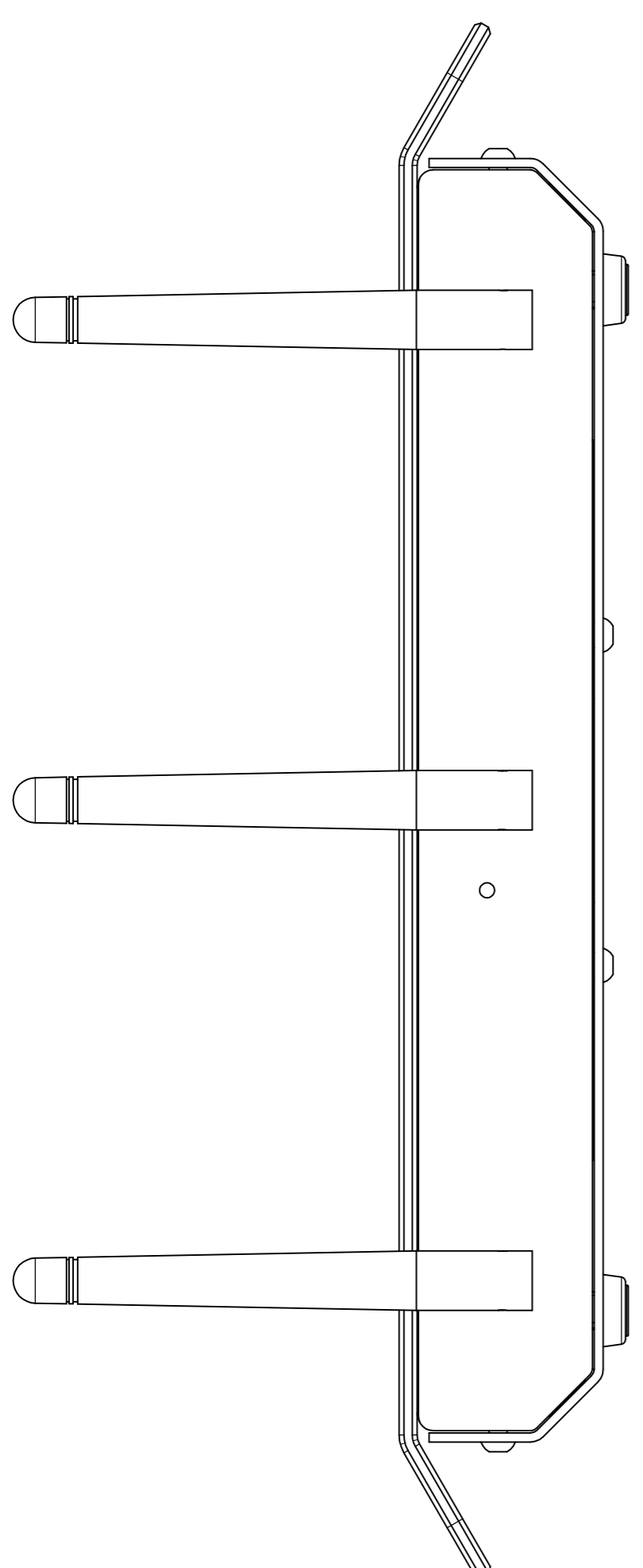
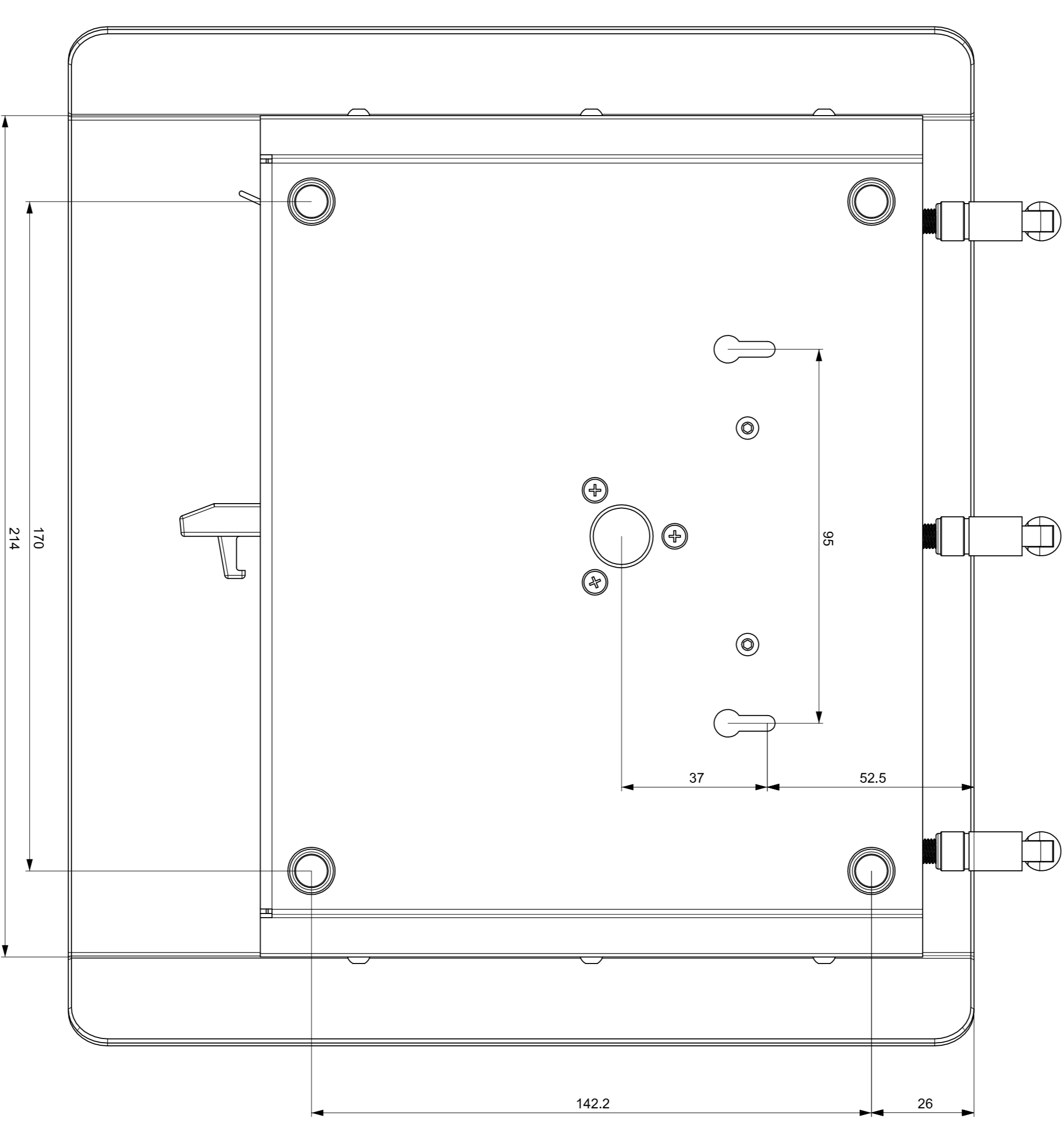
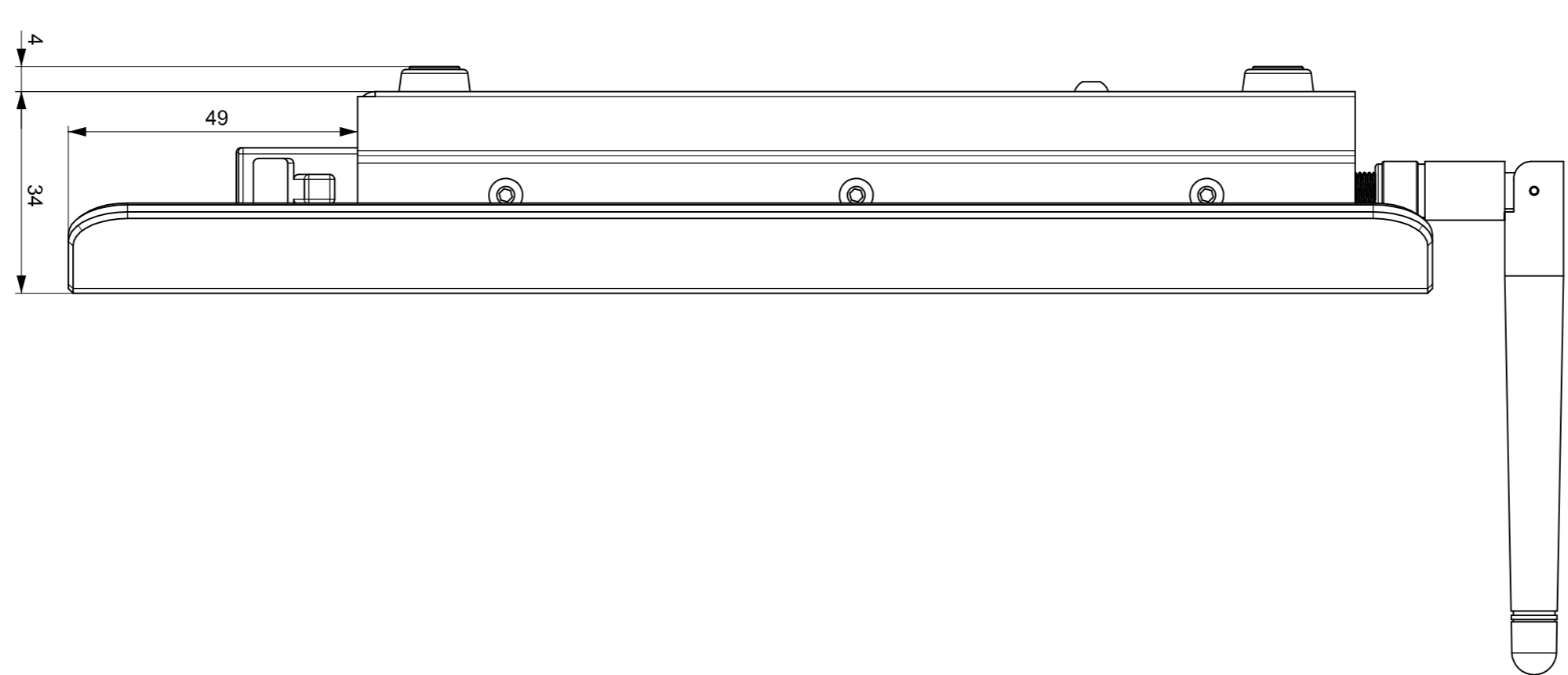
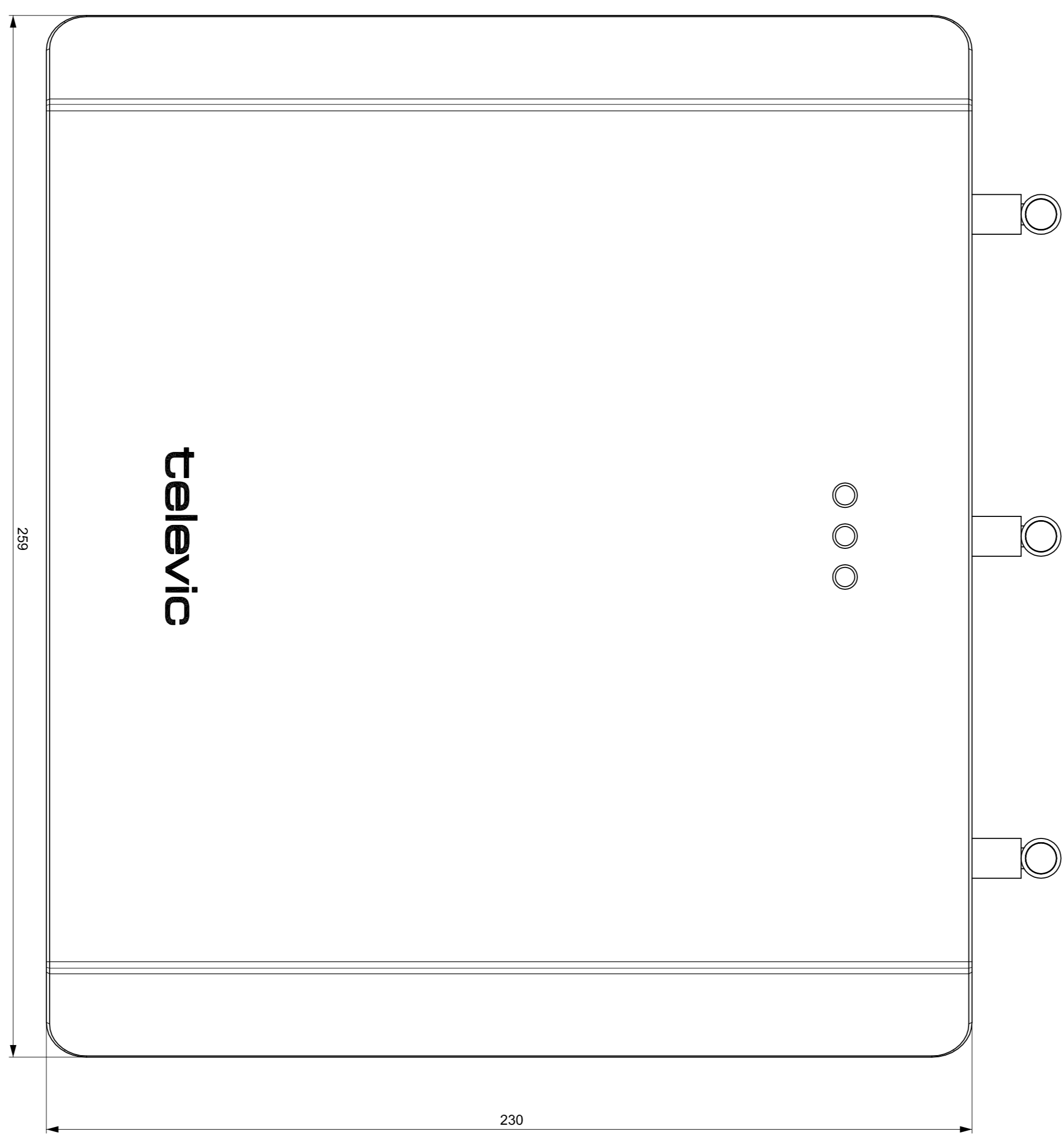
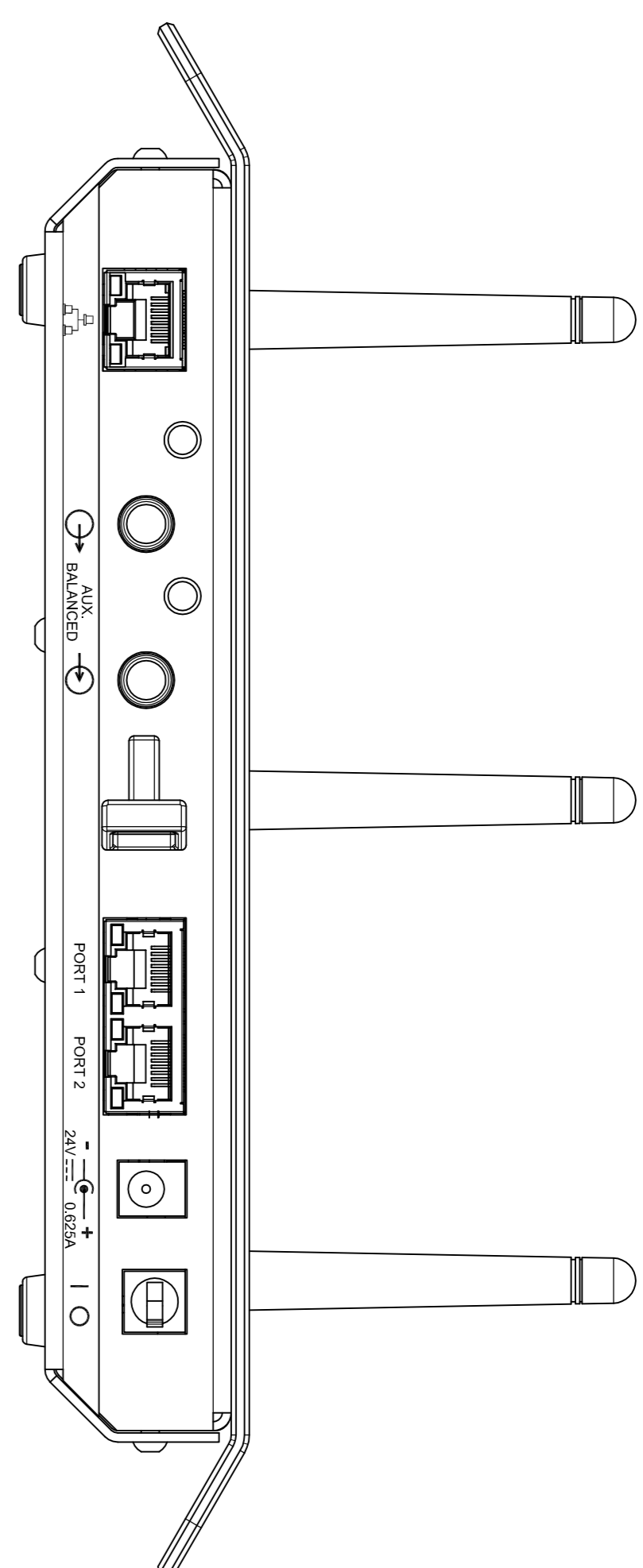


Remarks  
 Material: ALU  
 RAL7035  
 Dimensions: 250x253x40mm  
 Price applied to the specified quantity.



Relation	Author	Revision - description	Date	Name
Latest reference	ISO 27964:2018	Shape and position tolerances	ISO 101 / ISO 2796 - 4	ISO 27964:18
ISO 27964:18	ISO 1582			
Company name	televic			
Name	WCAP G3	Ordering number	71.98.0033_M07_2D_0.01	Sheet
Drawn by	SKL	Date	2020/01/18	Scale
Approved by	APPROVED SKL/2020/01/18	Unit: mm		Formal
Material	Alu	Material		Formal
Material		Material		Formal

televic CONFERENCE

All rights reserved. No part of this document may be reproduced or transmitted in any form or by any means without the prior written permission of televic.