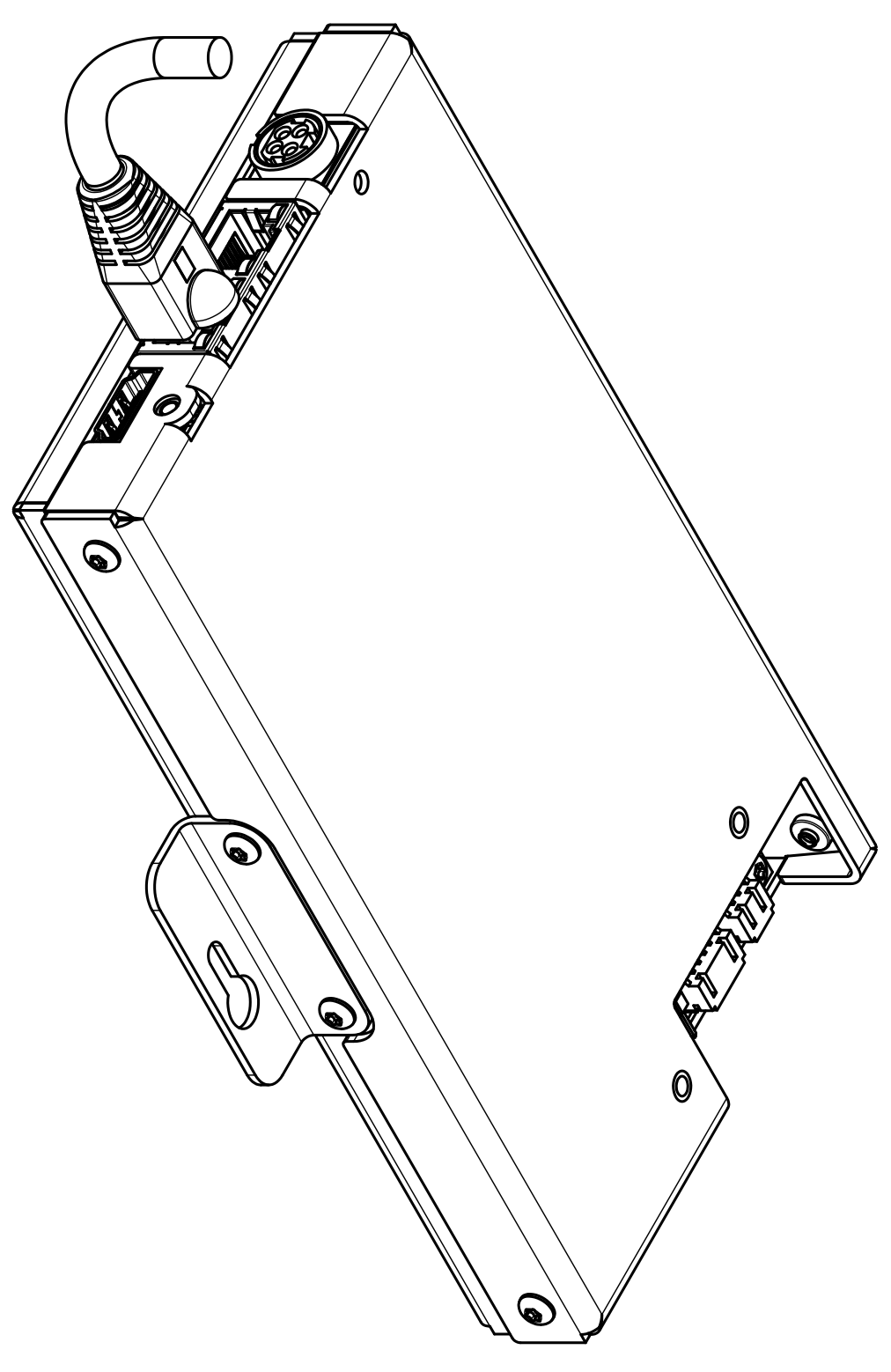
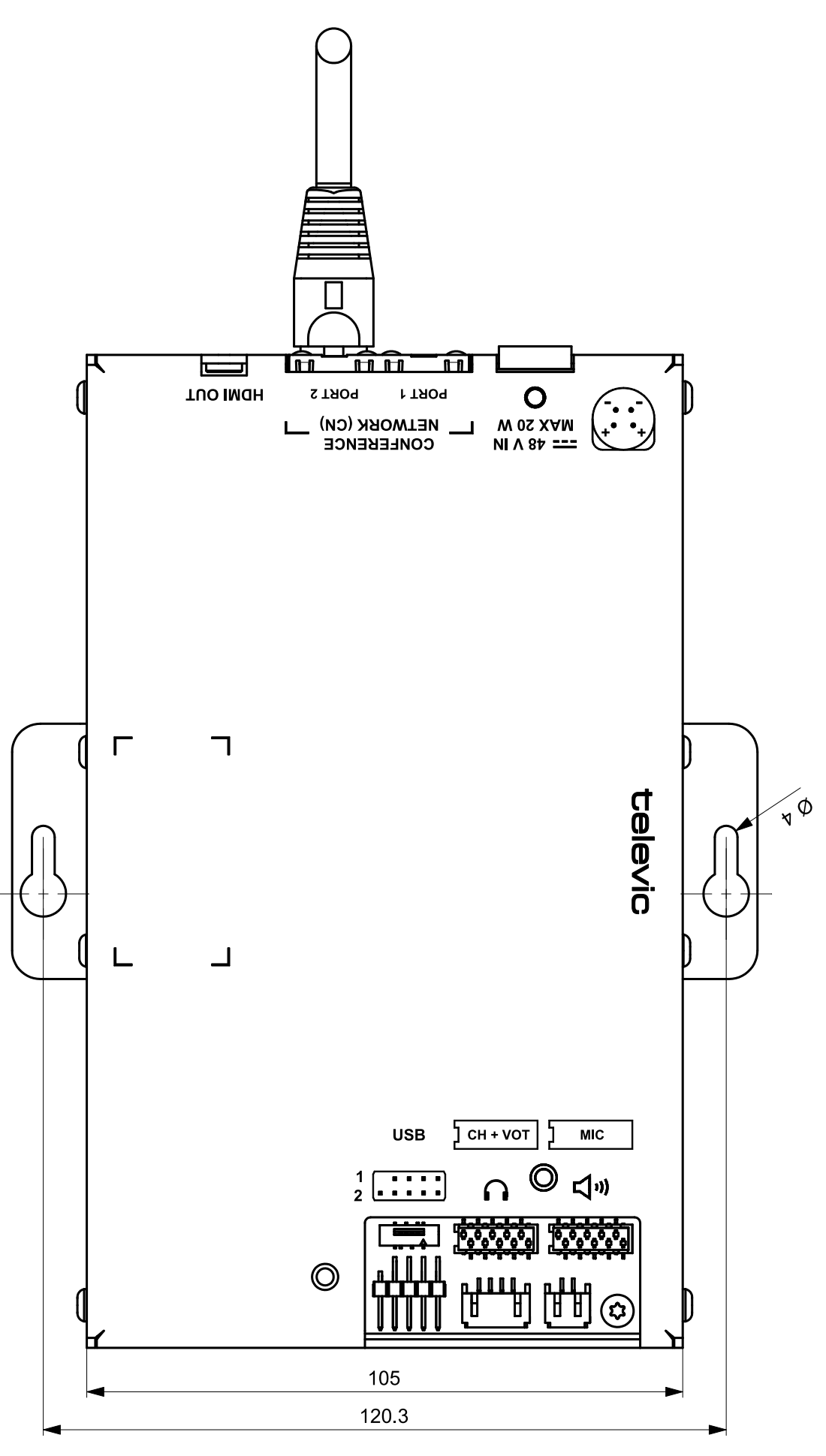
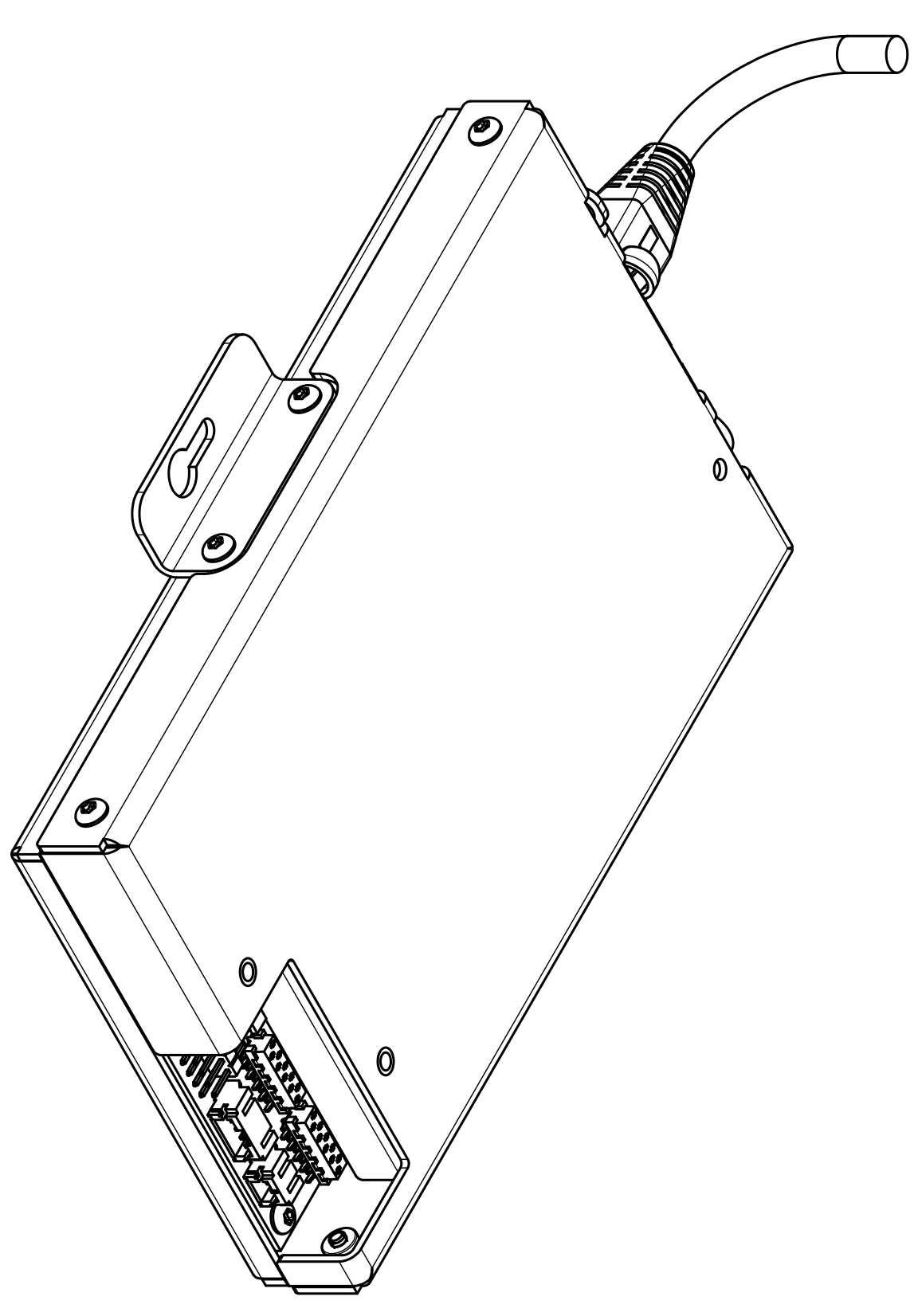
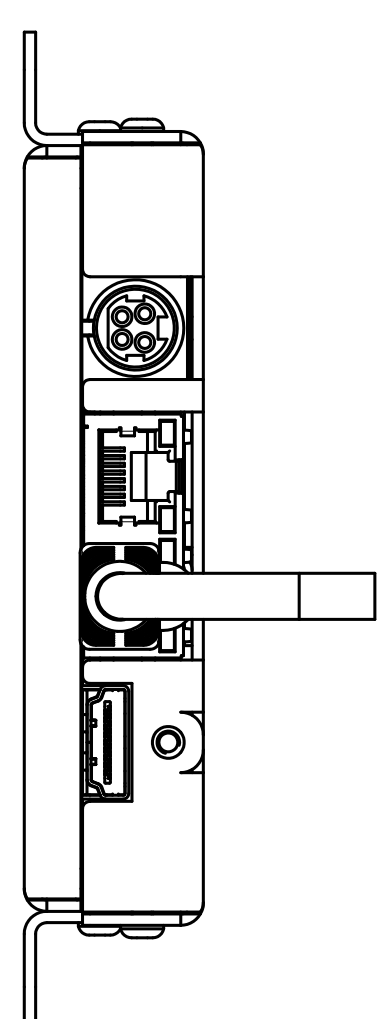
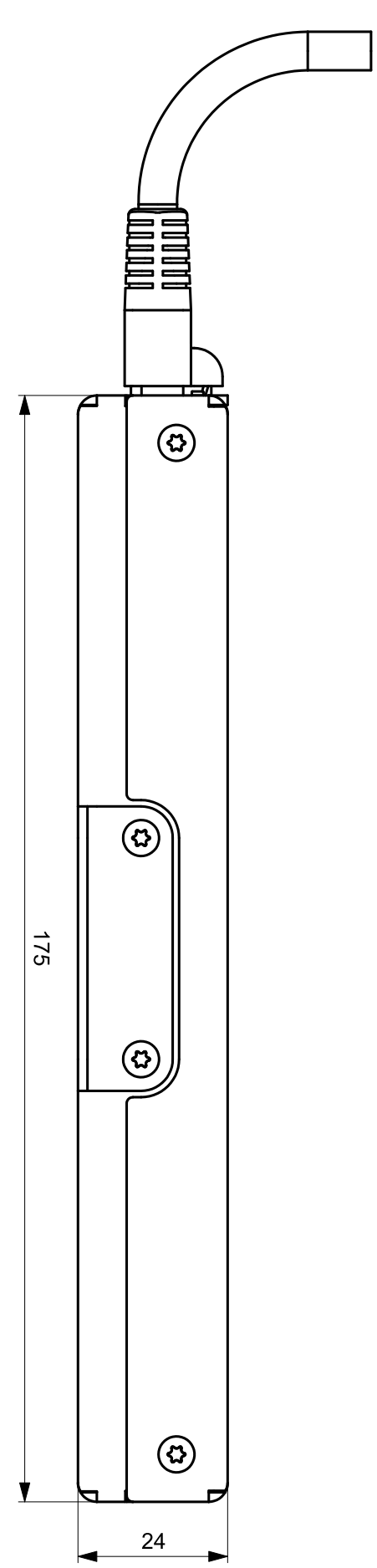
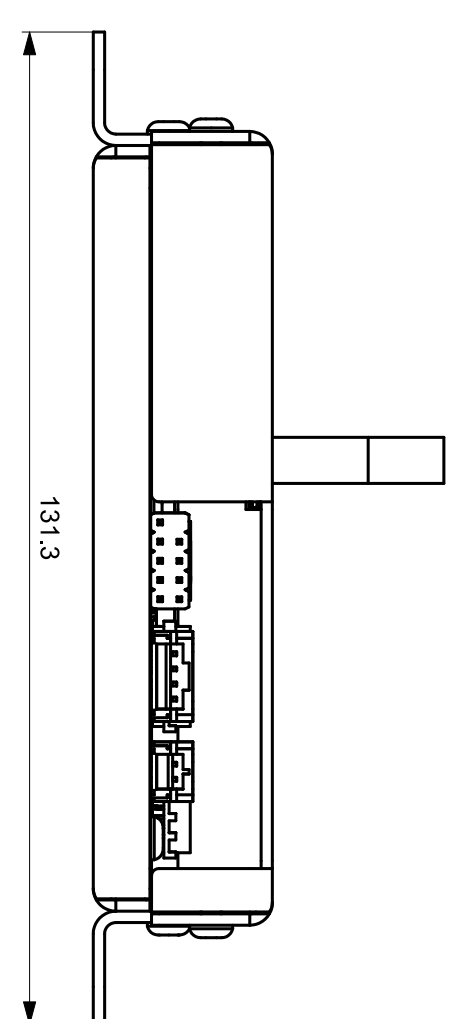


Remarks

- \* material : aluminum 1.5mm
- \* powder coating : Tiger Carbon 01 light structured 80um (300um)
- \* screening : Pantone 421C



Drawing name		Revision		Drawing number		Sheet	
Name	Date	Author	Check	Rev.	Rev. Date	Scale	Format
0.03							
0.02							
0.01							
Title		Description		Drawing number		Sheet	
MECH MODULE UNIBOX (2ND GEN)		Teleovic change (unit from zoom change)		71.98.2004_M07_2D_0.03		1 of 1	
Design By		L-shin		24/11/18		L-shin	
Approved By		L-shin				L-shin	
Revision		ECHO		Original drawing		BY	
Unit name		unit : mm					
Drawing scale		ISO 1502		Drawing standard		ISO 2795-1	
Drawing standard		ISO 2795-1		Drawing standard		ISO 2795-1	
Drawing standard		ISO 2795-1		Drawing standard		ISO 2795-1	

Drawing name		Revision		Drawing number		Sheet	
Name	Date	Author	Check	Rev.	Rev. Date	Scale	Format
0.03							
0.02							
0.01							
Title		Description		Drawing number		Sheet	
MECH MODULE UNIBOX (2ND GEN)		Teleovic change (unit from zoom change)		71.98.2004_M07_2D_0.03		1 of 1	
Design By		L-shin		24/11/18		L-shin	
Approved By		L-shin				L-shin	
Revision		ECHO		Original drawing		BY	
Unit name		unit : mm					
Drawing scale		ISO 1502		Drawing standard		ISO 2795-1	
Drawing standard		ISO 2795-1		Drawing standard		ISO 2795-1	
Drawing standard		ISO 2795-1		Drawing standard		ISO 2795-1	

All rights reserved. No part of this document may be reproduced in any form or by any means without the prior written permission of Teleovic.

12 11 10 9 8 7 6 5 4 3 2 1