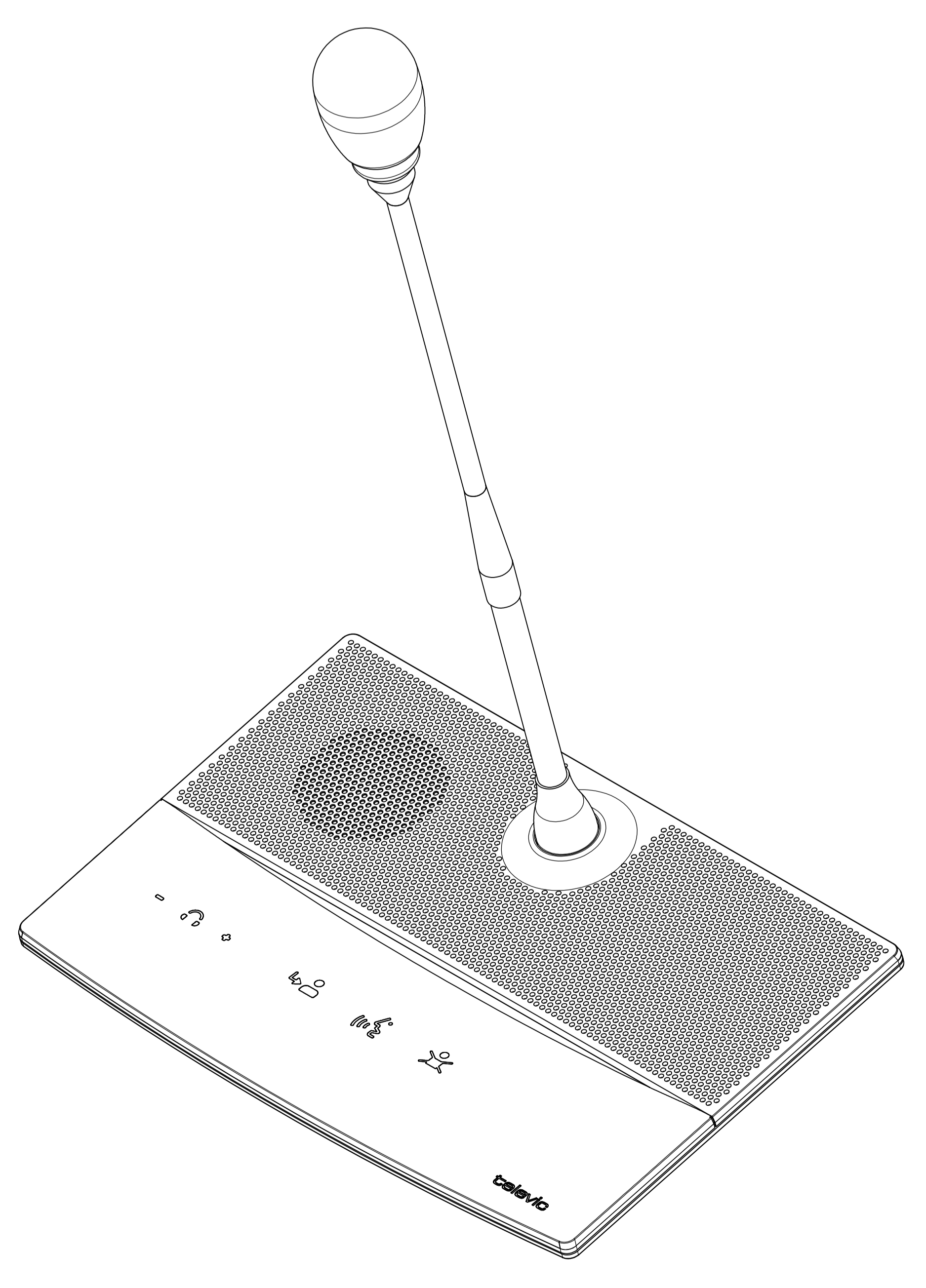
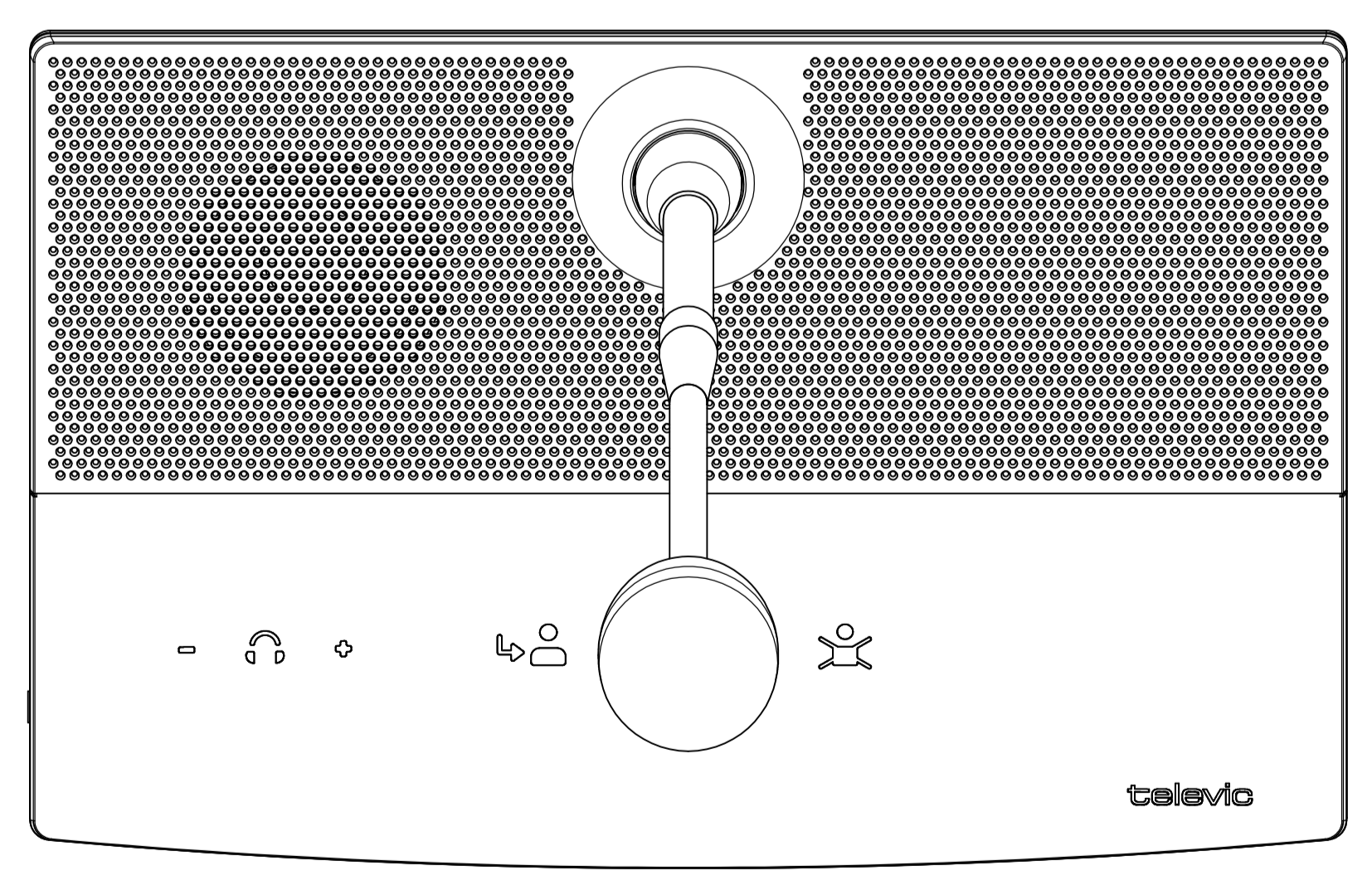
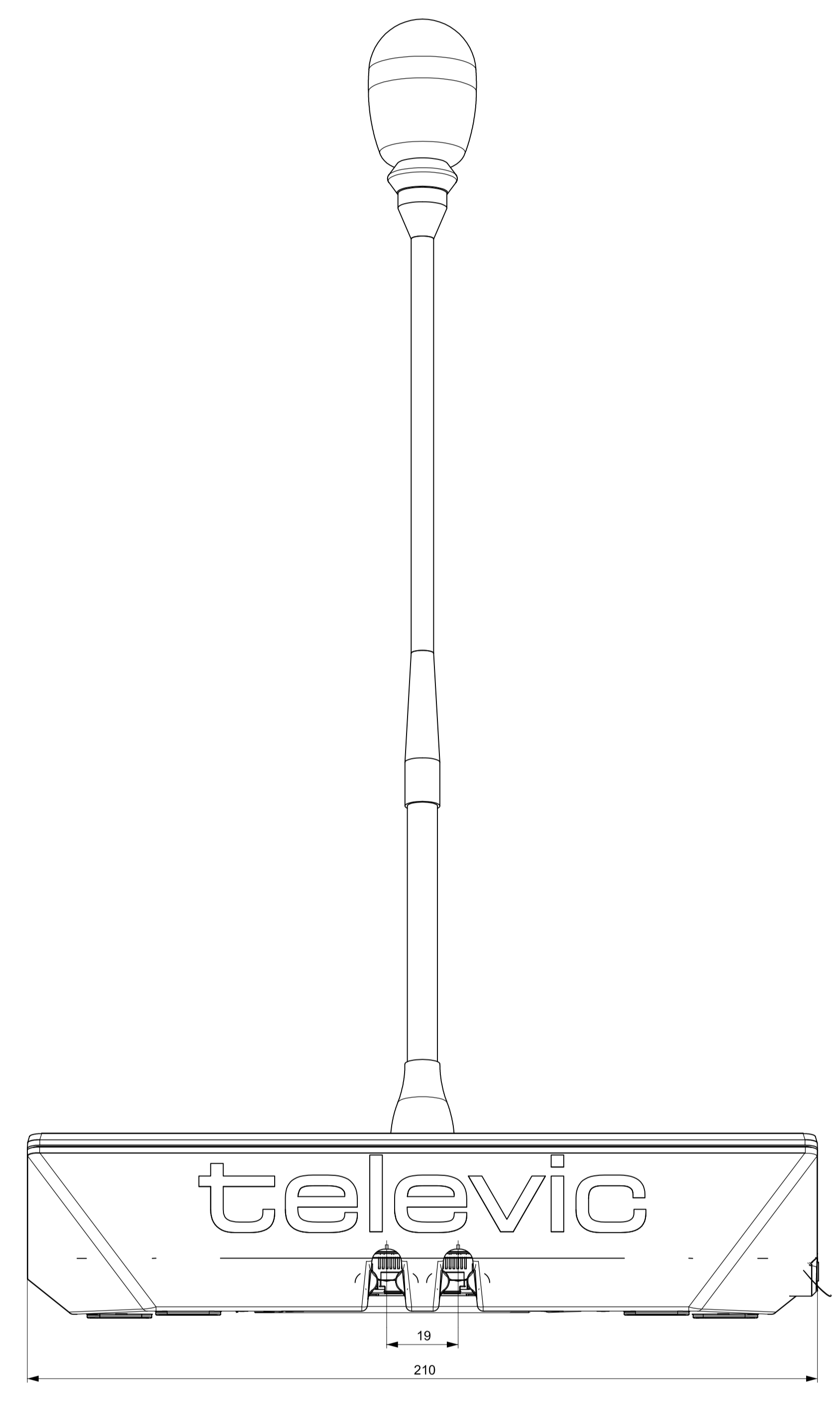
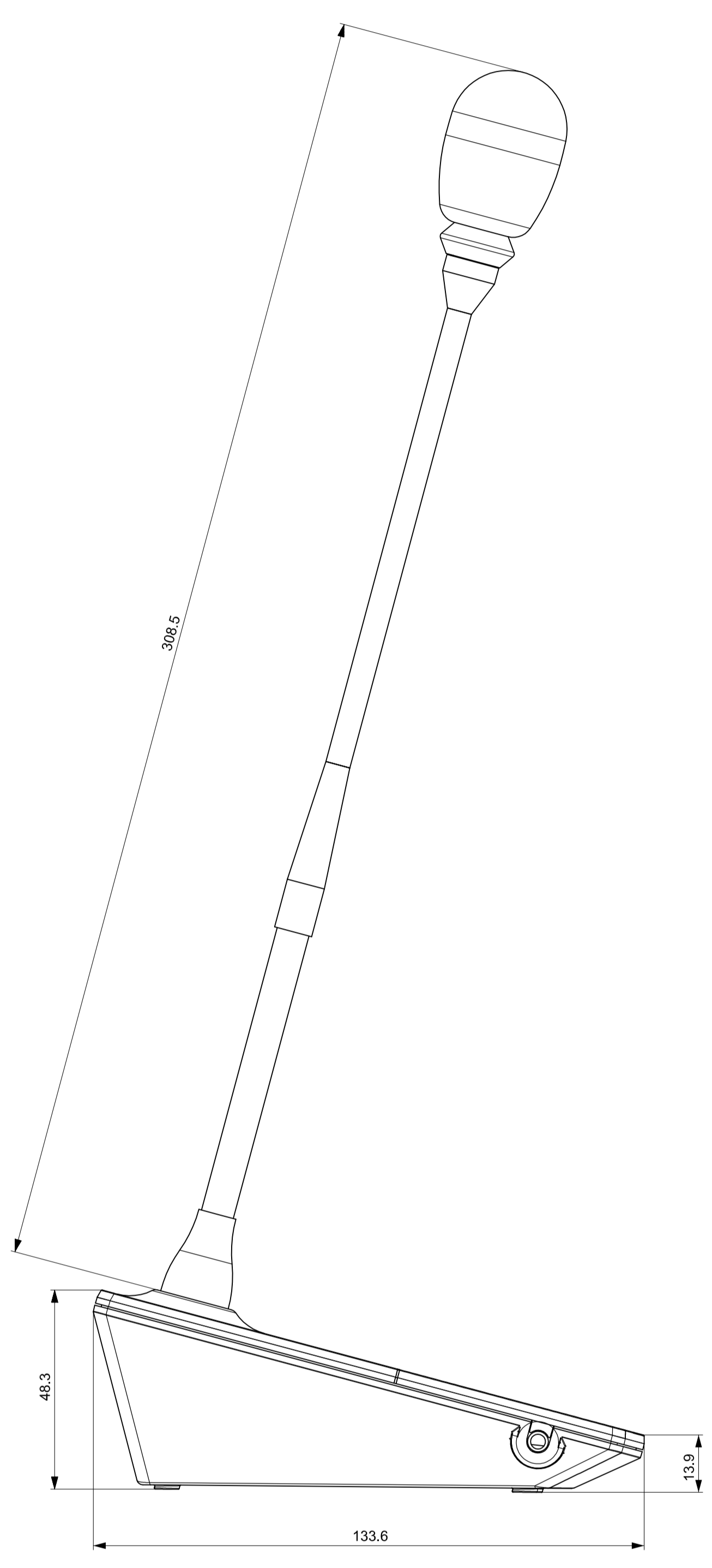
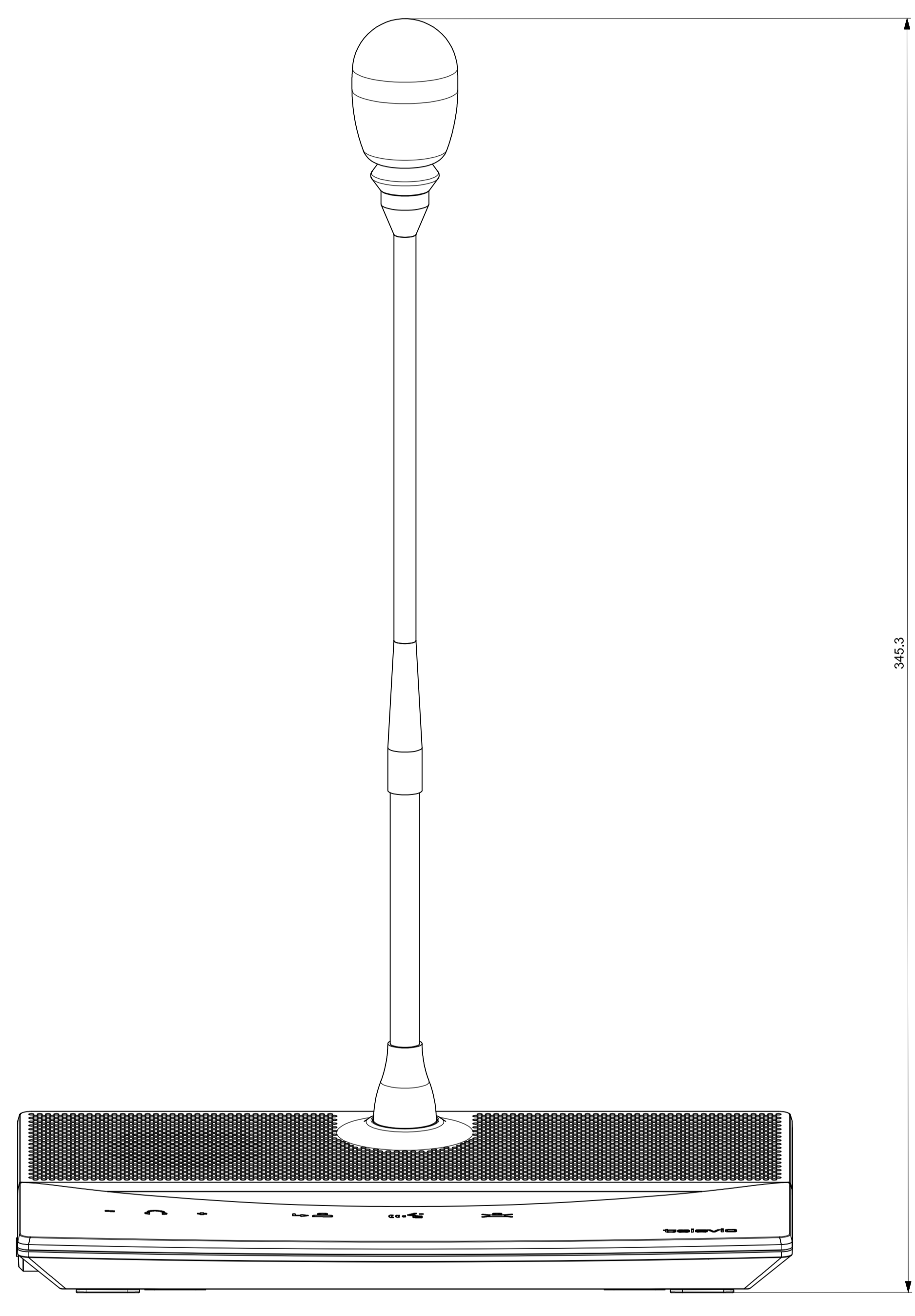
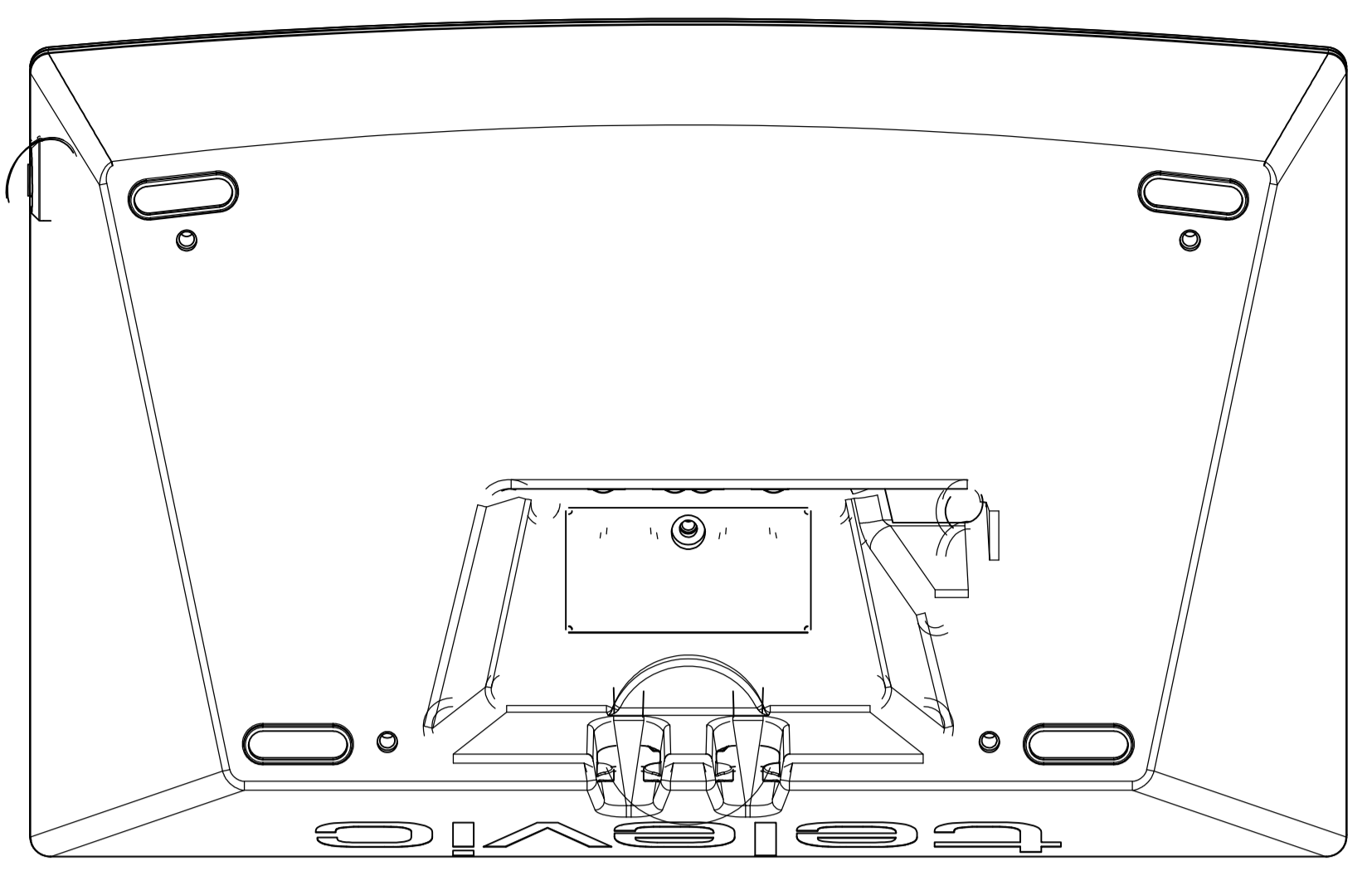


Remarks
 Material: PC / ABS
 BLACK
 Dimensions: 210x135x50mm
 Mic length: 300mm
 Price applied to the specified quantity.



Revision	EClear	Remarks - description	Draw	Name
1				
2				
3				
4				
5				
6				
7				
8				
9				
10				
11				
12				

Linear tolerances	Surface roughness	Shape and positioning tolerances	Geod. tolerances	Finishing
ISO 2768-mS-A	ISO 1302	ISO 1101 / ISO 2768 - M	ISO 2768-mS-B	see remarks
Drawing name	D-cerno C			Material
Drawn by	Name	Date	Drawing number	Sheet
Approved by	ADN	2023/03/01	71.98.0302_M07_2D_0.01	1 of 1
	Scale	1:1	Format	ADV

televic conference

All rights reserved. No part of this concept may be reproduced in any form or by any means without the prior written permission of televic.