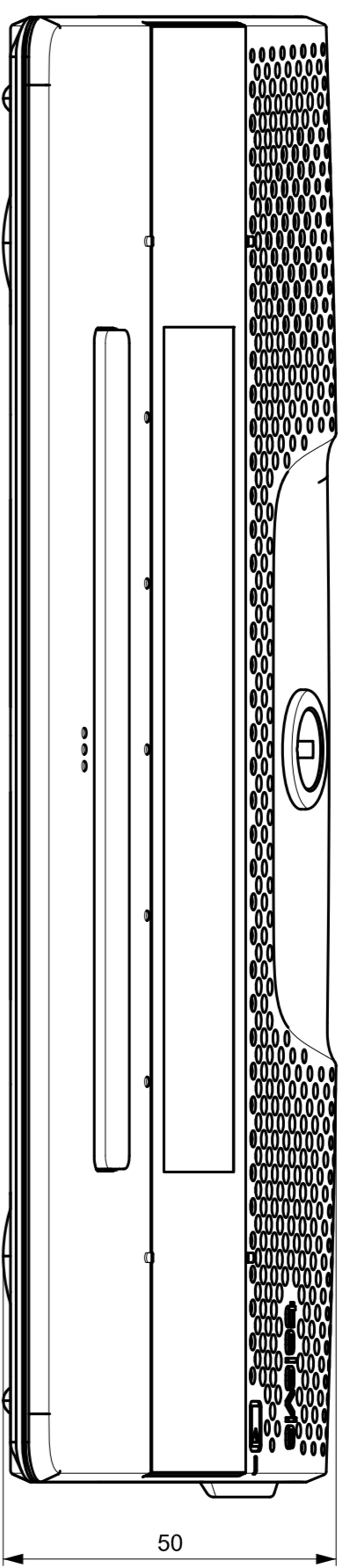
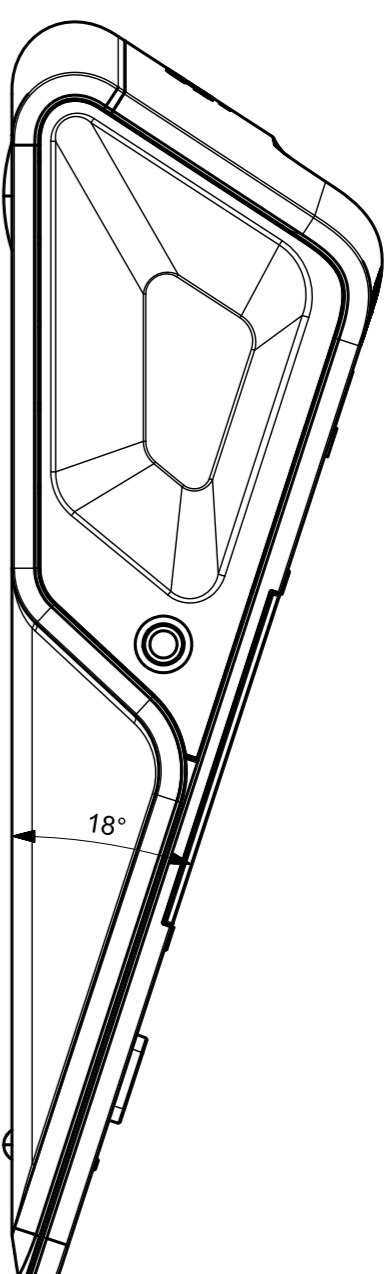


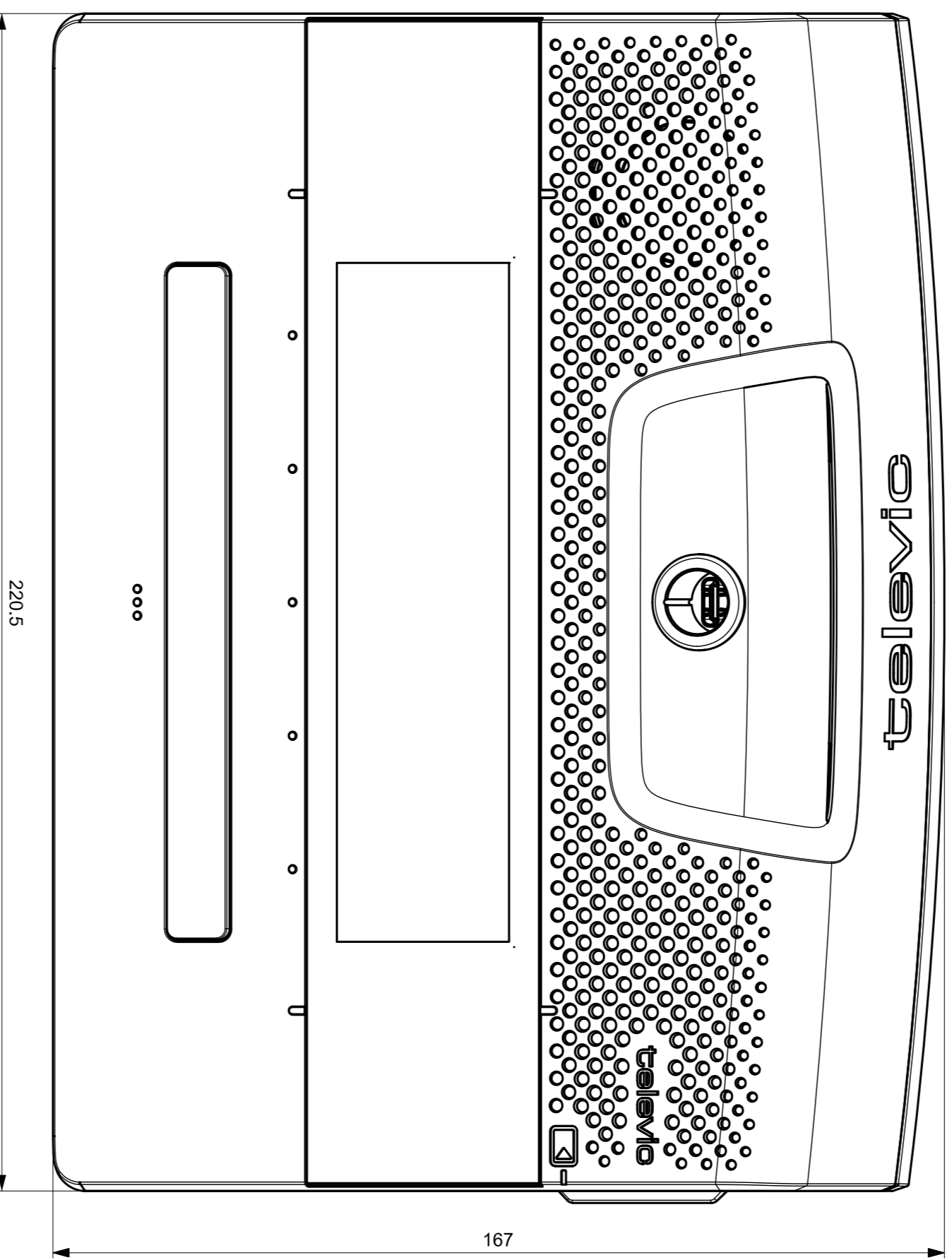
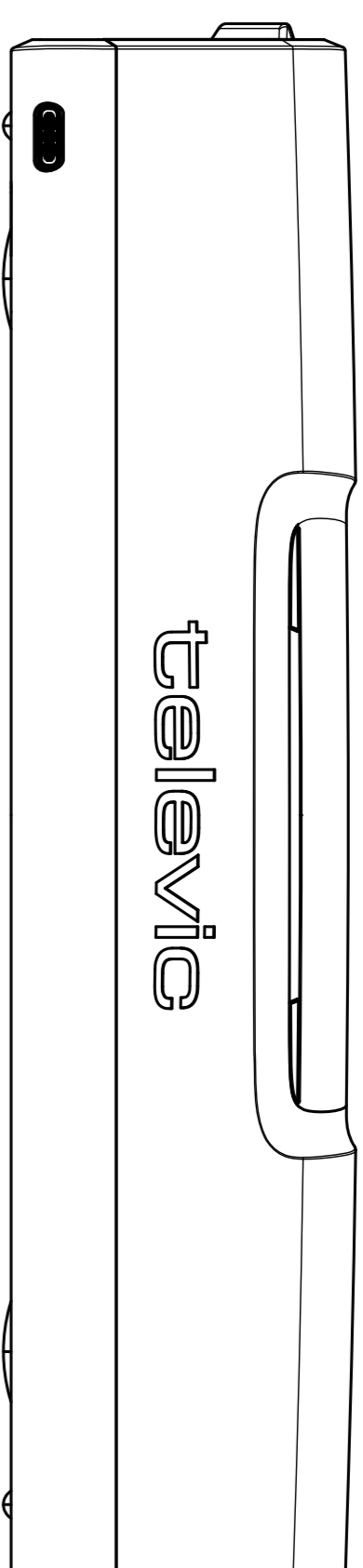
- * plastics : PC/ABS UL94V0
- * material : light textured
- * finishing : Pantone 428C
- * painting : Pantone 428C
- * bottomshell :
- * material : zarrak 3
- * painting : Pantone 10101 C



50

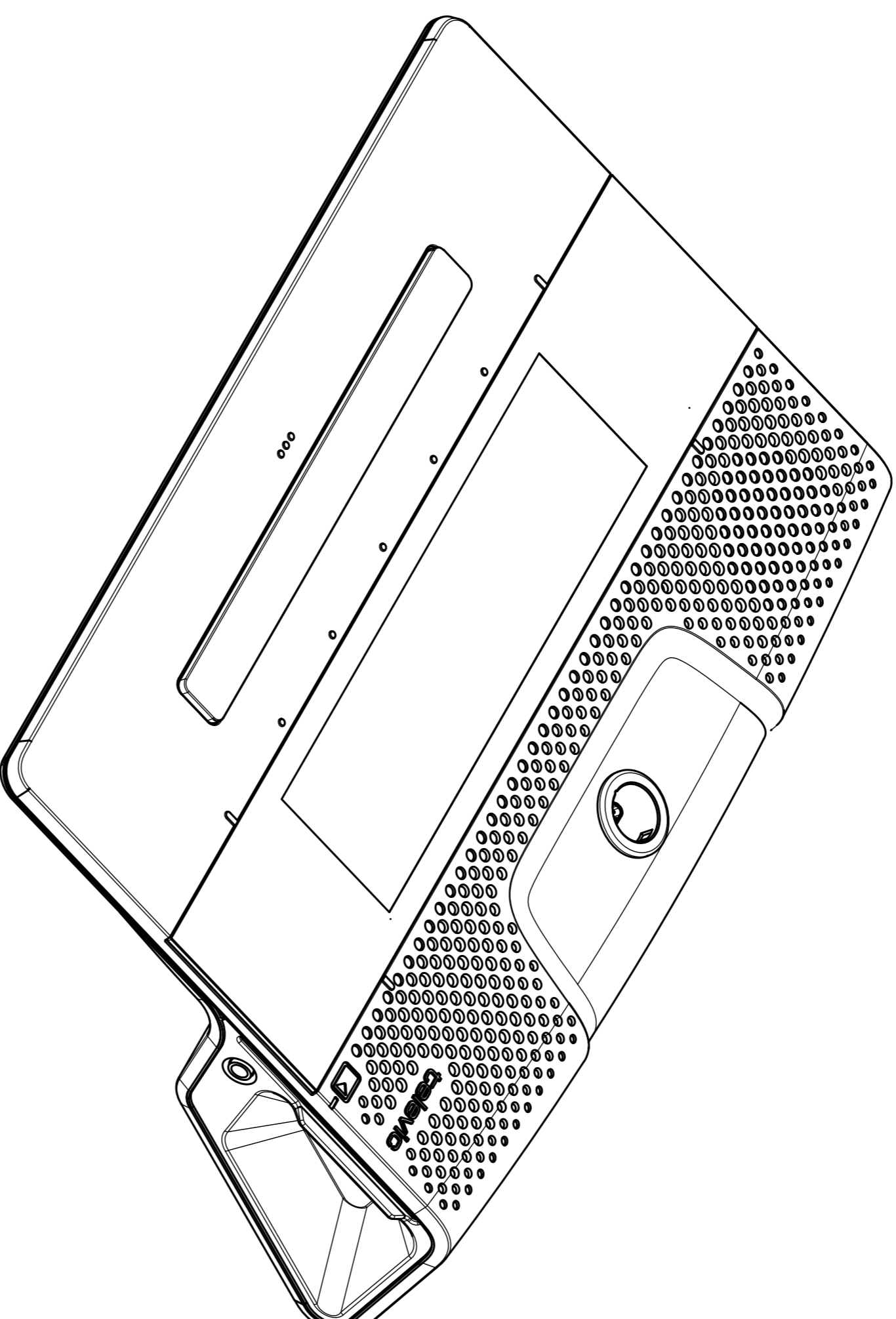


18°

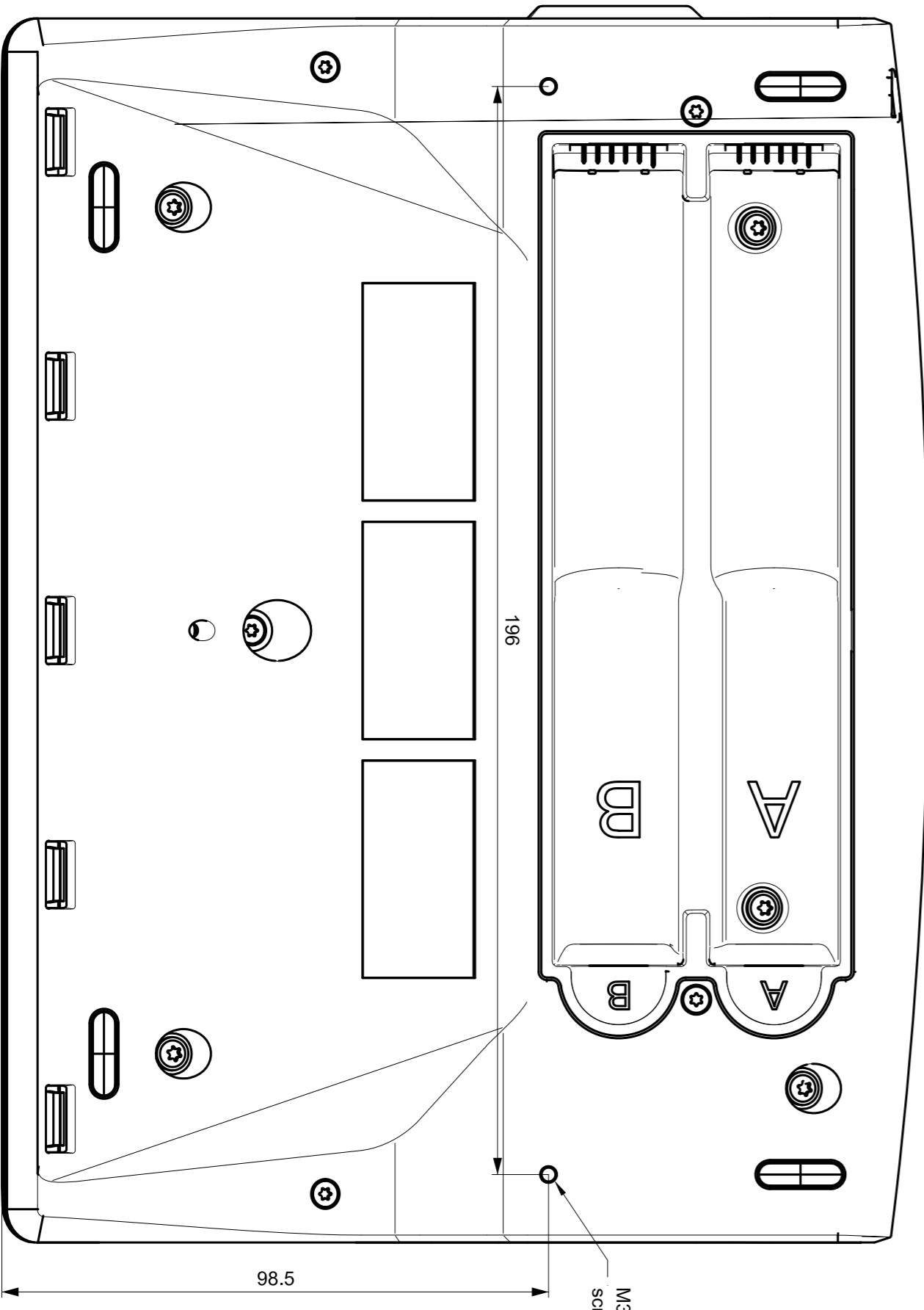


220.5

167



fixation holes



198

98.5

M3 (2x)
screwdepth 5mm

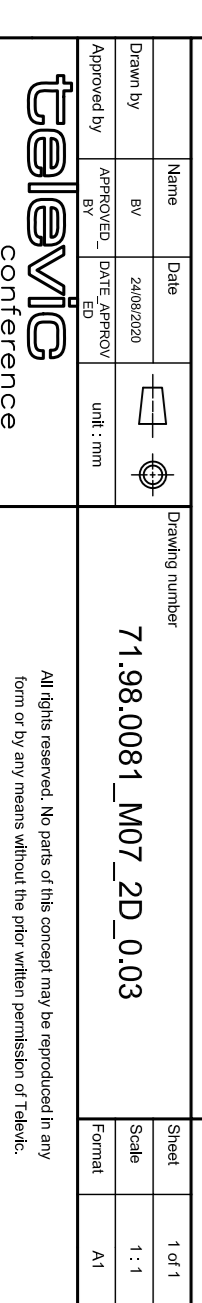
033	ECHEC	some minor optimizations	24/03/2020	AV
Revision	Author	Change and addition to dimensions	Date	Drawn By
ISO 27964:2018	ISO 1592	ISO 1011 / ISO 27961-4	ISO 27964:2018	Approved By
ISO 27964:2018	ISO 1592	ISO 1011 / ISO 27961-4	ISO 27964:2018	Drawn By
ISO 27964:2018	ISO 1592	ISO 1011 / ISO 27961-4	ISO 27964:2018	Approved By

Confidea FLEX WIRELESS

Ordering name

Ordering number

71.98.0081_M07_ZD_0.03



All rights reserved. No part of this document may be reproduced in any form or by any means without the prior written permission of talaviv.