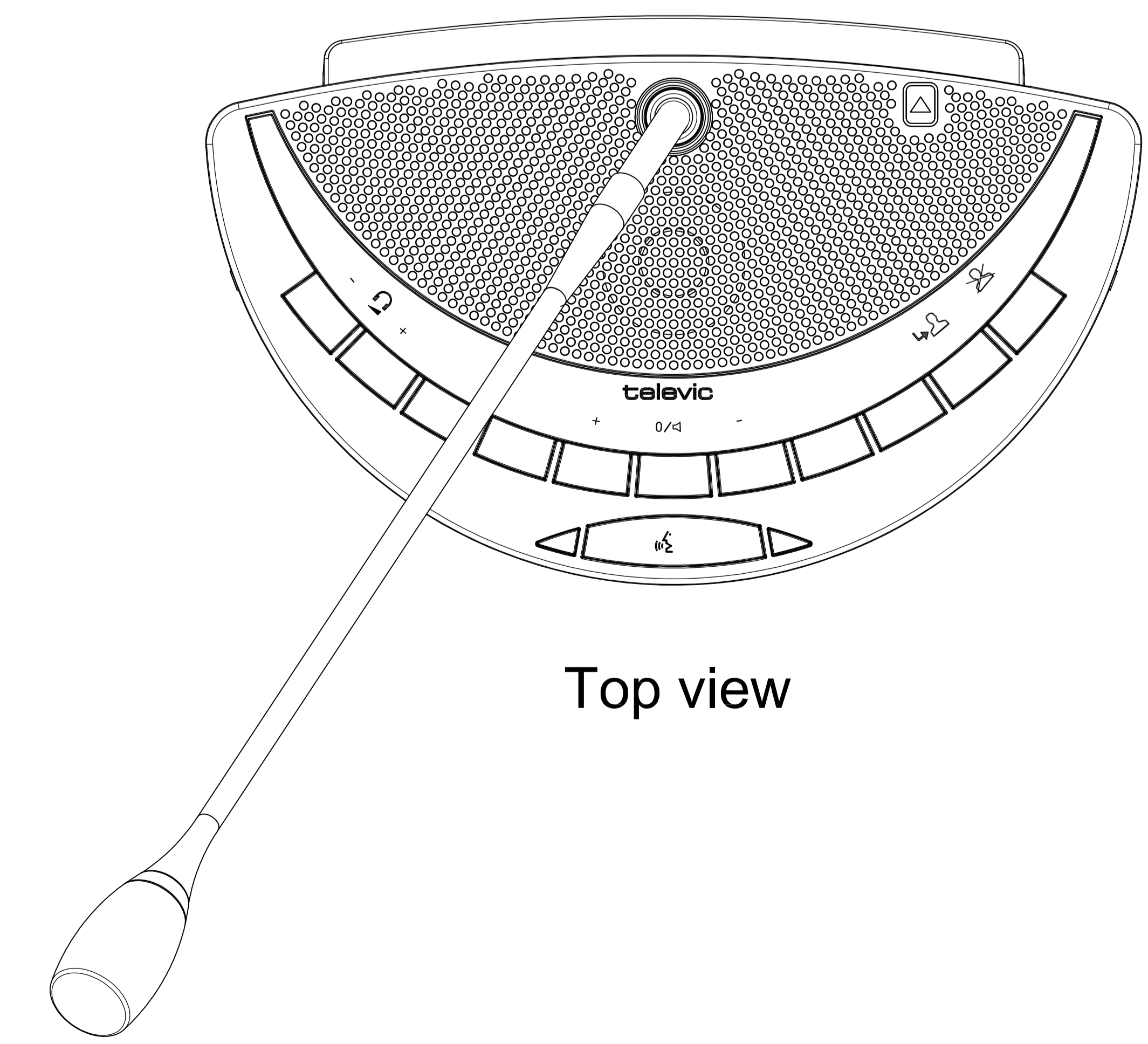
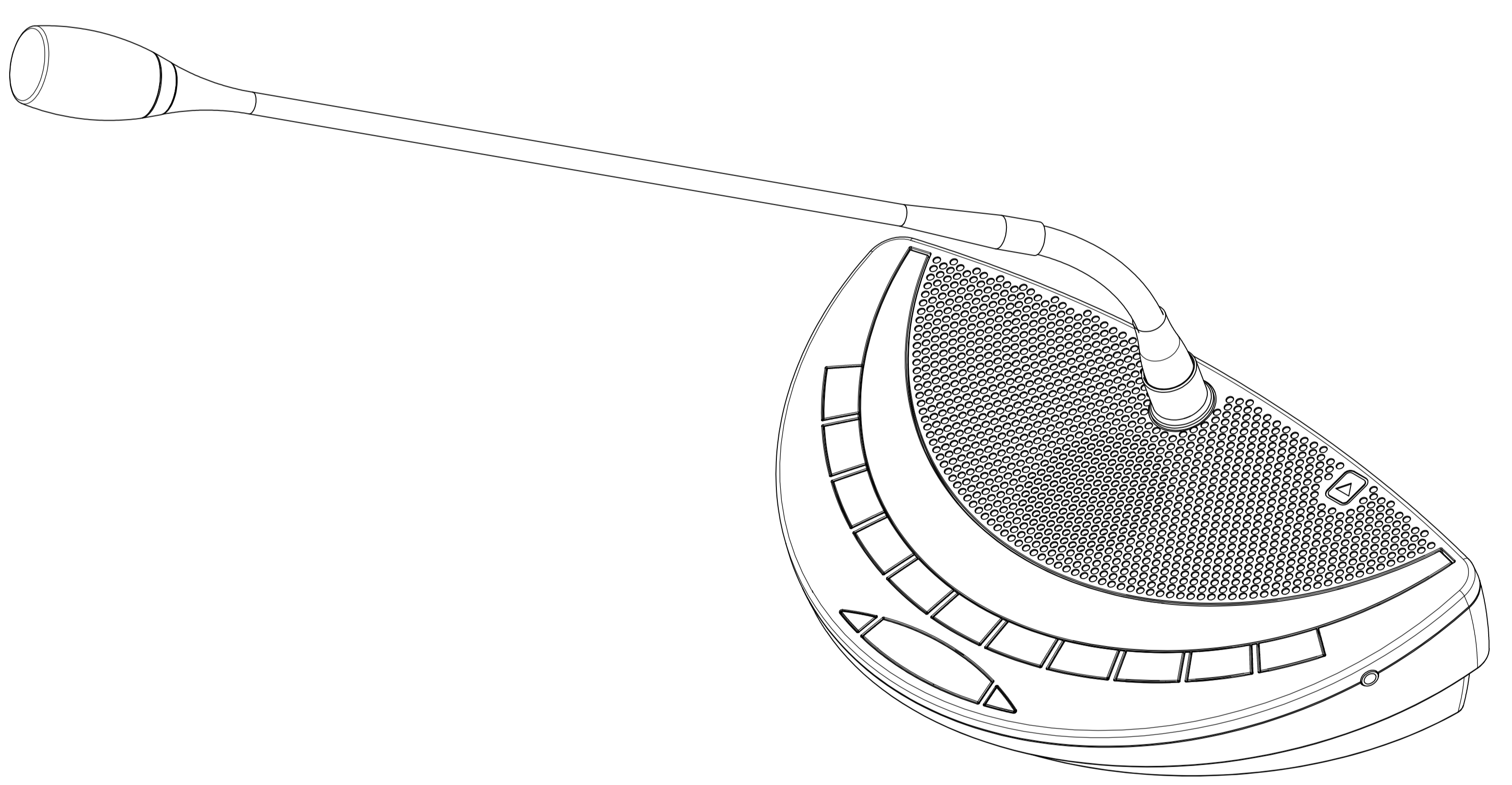
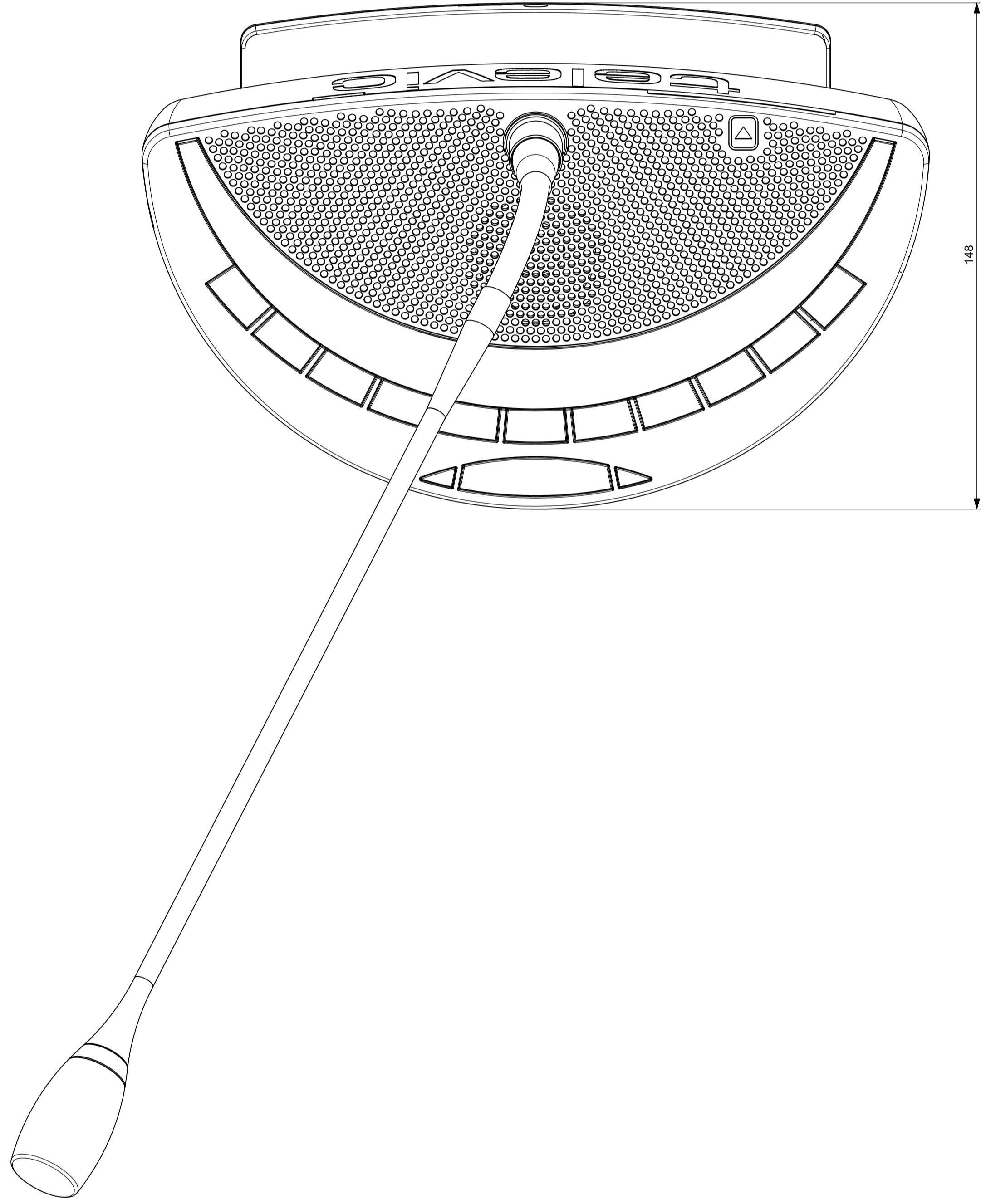
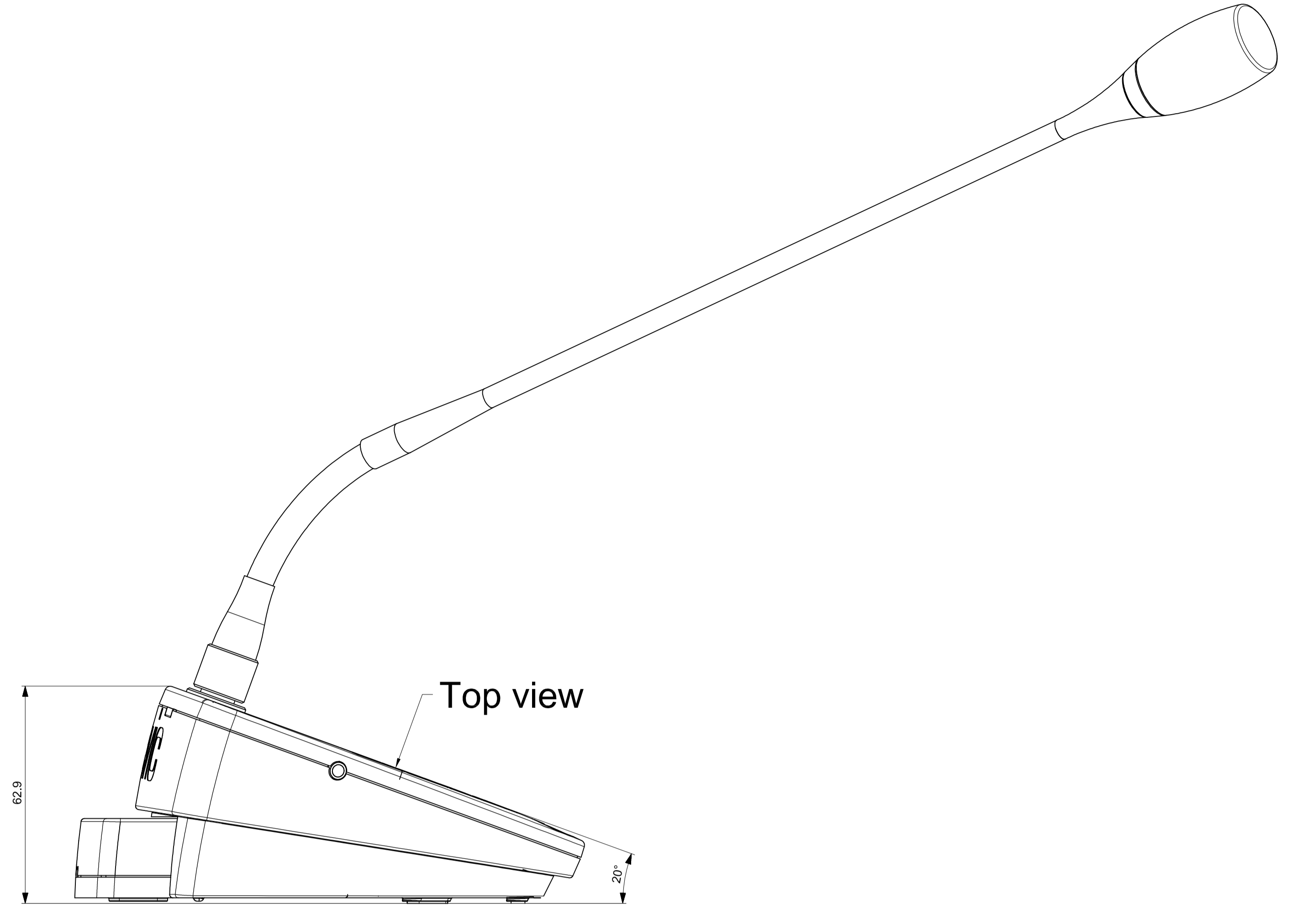
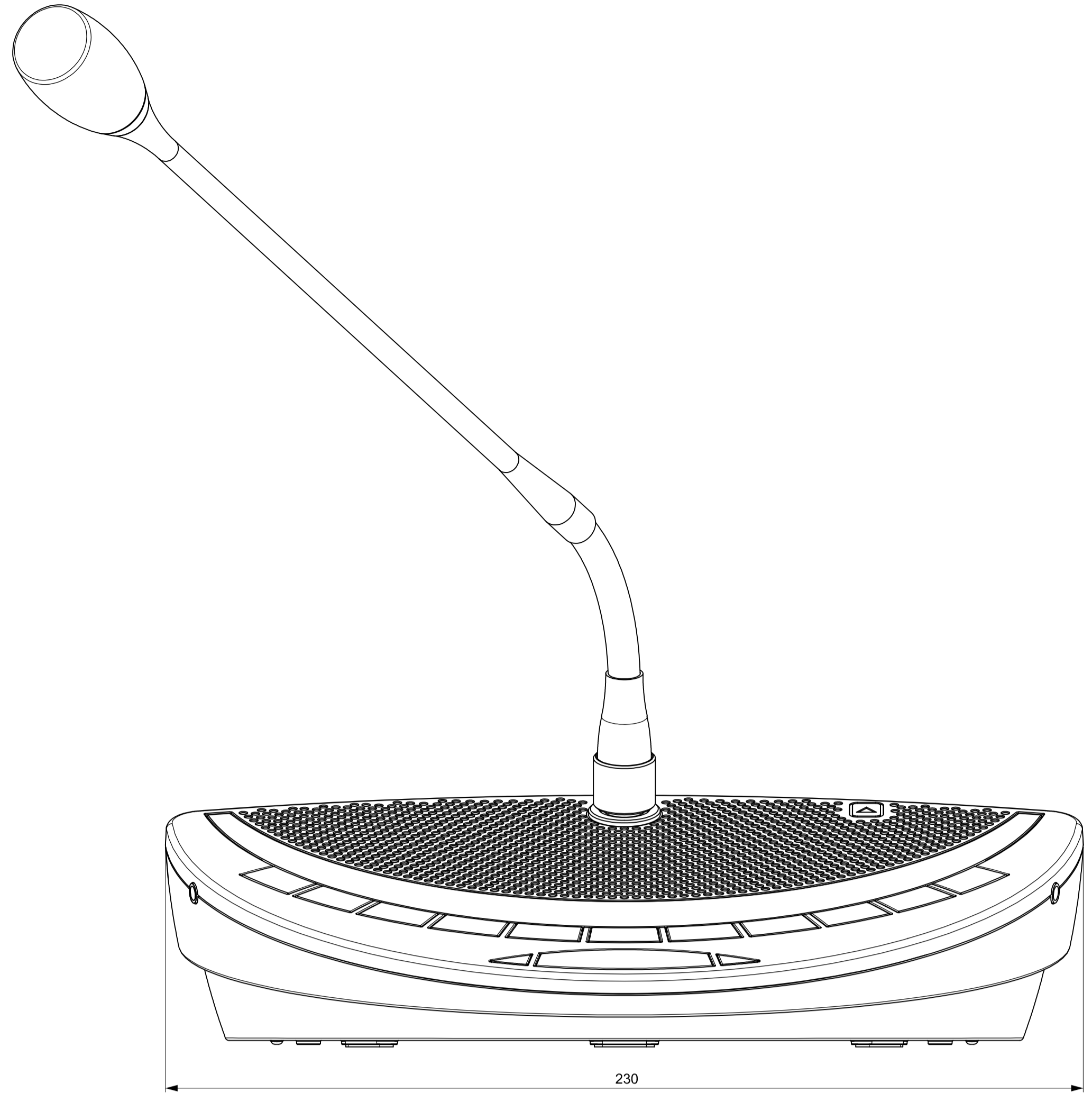


Remarks
 Material: PC/ABS
 BLACK
 Dimensions 230 x 148 x 63 mm
 Price applied to the specified quantity.



Date		21/04/2016		TYS	
Revision		E2/Rev		21/04/2016	
Linear tolerances		Surface roughness		Shape and positioning tolerances	
ISO 2768-mS		ISO 1312		ISO 1101	
Drawing name		Confidea G3 CV		Sheet 1 of 1	
Drawn by		TYS		Scale 1:1	
Approved by		TYS		Format A3	



All rights reserved. No part of this concept may be reproduced in any form without the prior written permission of Televic.