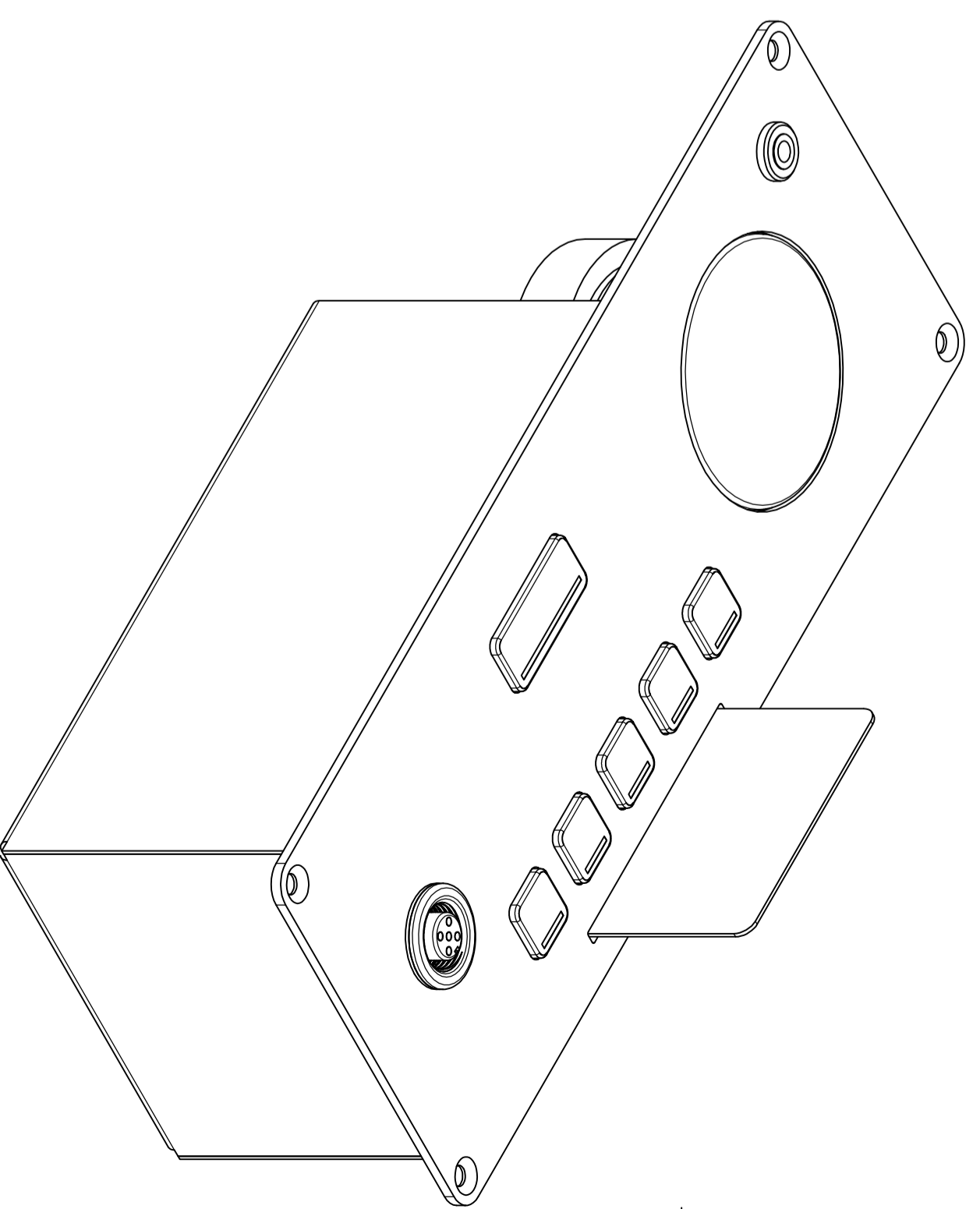
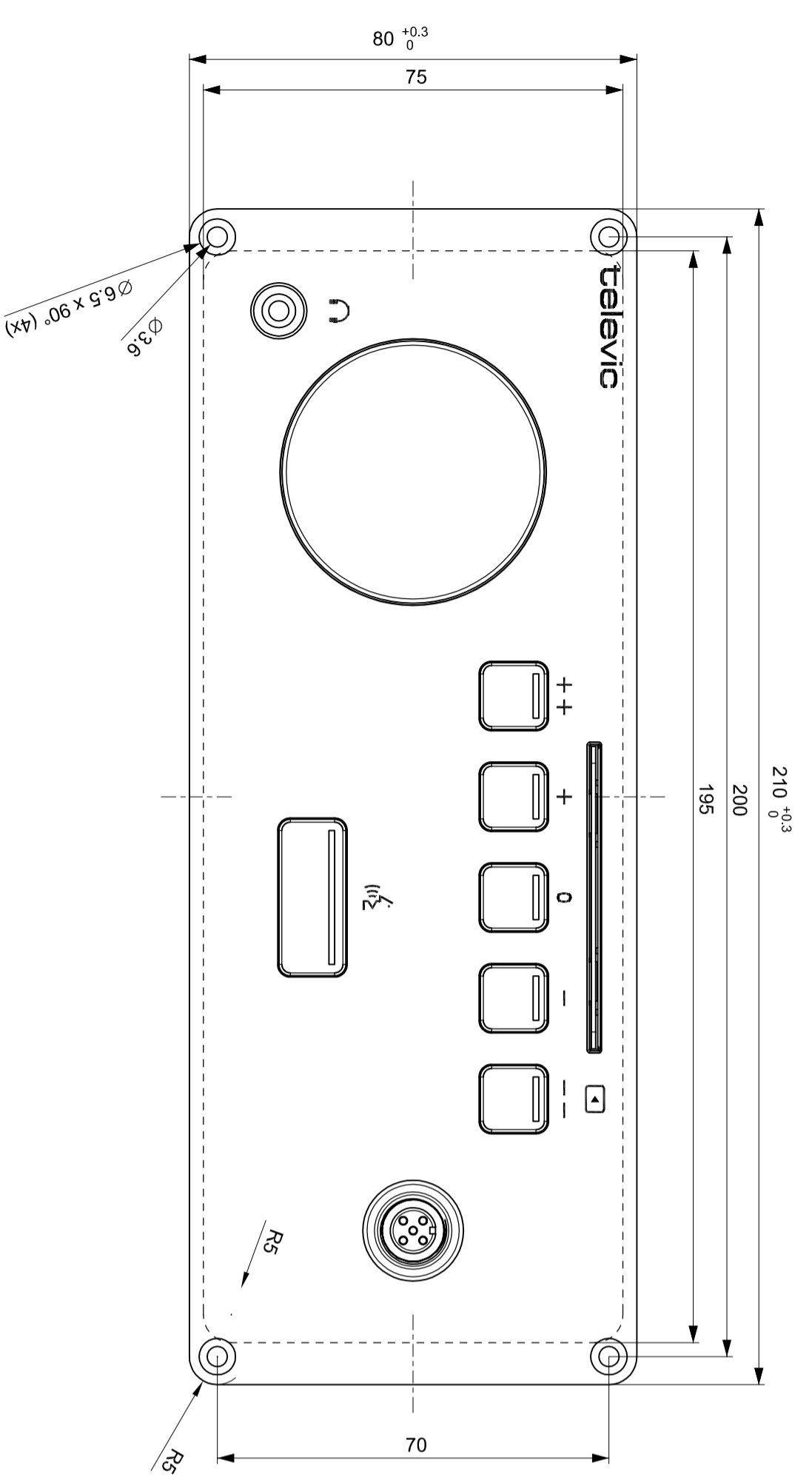


Remarks

- \* material :
- fltp: steel E=2mm
- cover: hot dip galvanized steel E=0.75mm
- \* painting : powder coating
- Tiger coating Carbon 01 light structured 80µm (±30µm)
- \* screening : Pantone 421C

General dimensions : 210 x 80mm R5  
 Cutout dimensions: 195 x 75 mm R5  
 Build in depth: 70mm

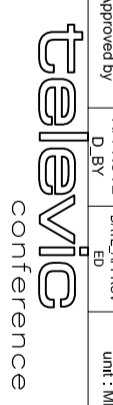
Price applied to the specified quantity.



1.02		hole for SLK connector changed	25/09/2015	SDL
1.01		released drawing	21/05/2015	SDL
Revision	EchVir	Remarks - description	Date	Name
Linear tolerances	Surface roughness	Shape and positioning tolerances	Bend tolerances	Finishing
ISO 2768-ndk	ISO 1302	ISO 1101 / ISO 2768 -K	ISO 2768-ndk	see remarks
Drawing name	Material			see remarks

## CONFIDEA F-DV

Name	Date	Drawing number	Sheet
zhuozhis	20150315	71.98.0502_M07_2D_1.02	1 of 1
APPROVE DATE_APPROV	unit: MM		Scale
D_BY			1 : 1
ED			Format
			A2



All rights reserved. No parts of this concept may be reproduced in any form or by any means without the prior written permission of Teleovic.